

# 736R

MODELLI MODELS	MOMENTO LIFTING MOMENT	SBRACCIO ORIZ. HORIZ. HYDRAULIC OUTREACH	PORTATA AL DISTRIBUTORE OIL FLOW TO THE CONTROL VALVE	SBRACCIO MAX. VERTICALE MAX VERTICAL REACH	PESO WEIGHT	PRESSIONE PRESSURE	INTERASSE STAB. STANDARD APERTI DISTANCE BETWEEN CENTRES WITH OPENED OUTRIGGERS	INTERASSE STAB. EXTRA APERTI EXTRA WIDE DISTANCE BETWEEN CENTRES WITH OPENED OUTRIGGERS
	Tm.	m.	L.min	m.	Kg	bar	mm.	mm.
736R A1	32.4	5.85	45	9.90	3590	320	6200	
736R A2	31.1	7.70	45	11.7	3820	320	6200	
736R A3	30.4	9.70	45	13.5	4040	320	6200	
736R A4	29.9	11.80	45	15.5	4270	320	6200	
736R A5	29.3	14.10	45	17.8	4440	320	6200	
736R A6	28.6	16.40	45	20.0	4600	320	6200	
736R A7	28.1	18.75	45	22.3	4720	320	6200	
736R A8	27.6	21.05	45	24.5	4840	320	6200	
736R A4J4	/	21.70	45	25.2	5110	320	6200	
736R A5J4	/	23.90	45	27.3	5280	320	6200	

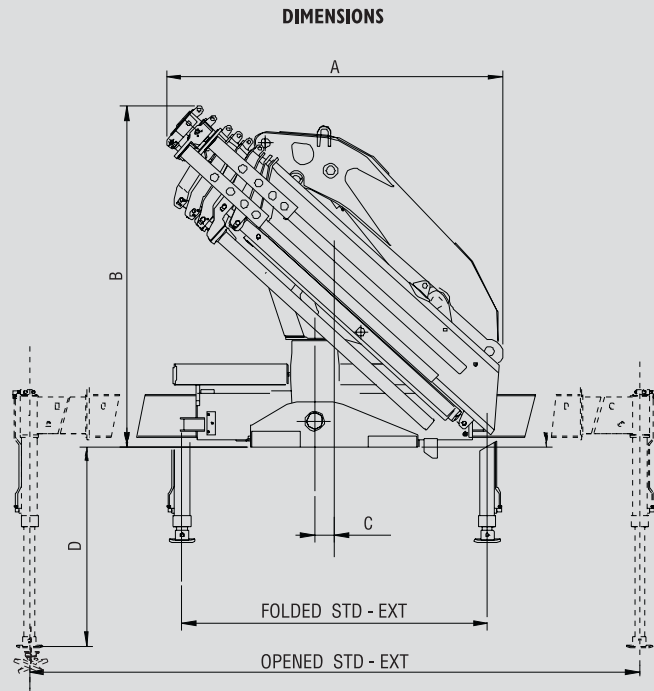
Autocarro consigliato - Recommended truck - Camion conseillé - Camion aconsejado  
M.T.T. ton 24 - G.V.W. ton 24

## STANDARD



<b>736R A1</b>	m	2.57	4.08	5.85	7.65	9.70	11.79						
	Kg	12100	7790	5540	4030	3040	2340						
<b>736R A2</b>	m	2.57	4.08	5.85	7.70	9.70	11.79	14.08					
	Kg	11700	7630	5280	4030	3040	2340	1810					
<b>736R A3</b>	m	2.57	4.10	5.85	7.70	9.70	11.80	14.10	16.40				
	Kg	11400	7420	5120	3850	3040	2340	1810	1420				
<b>736R A4</b>	m	2.57	4.20	5.95	7.80	9.80	11.80	14.10	16.40	18.75			
	Kg	11100	7110	4870	3630	2820	2340	1790	1420	1120			
<b>736R A5</b>	m	2.57	4.30	6.05	7.90	9.90	11.90	14.10	16.40	18.75	20.85		
	Kg	10800	6820	4660	3440	2640	2160	1810	1420	1120	890		
<b>736R A6</b>	m	2.57	4.35	6.20	8.00	10.00	12.00	14.20	16.40	18.75	20.85		
	Kg	10550	6580	4440	3240	2460	1990	1640	1420	1120	890		
<b>736R A7</b>	m	2.57	4.50	6.30	8.20	10.20	12.20	14.40	16.60	18.75	20.85		
	Kg	10300	6240	4230	3090	2320	1840	1490	1270	1120	890		
<b>736R A8</b>	m	2.57	4.60	6.40	8.30	10.30	12.30	14.50	16.70	18.90	21.05	23.50	
	Kg	10250	6000	4020	2890	2150	1690	1360	1140	1000	890	420	
<b>736R A4J4</b>	m							14.7	16.4	18.2	19.9	21.7	23.5
	Kg							1170	1015	895	805	705	495
<b>736R A5J4</b>	m							16.9	18.6	20.3	22.1	23.9	25.8
	Kg							765	665	585	515	475	365

Dati, descrizioni e illustrazioni sono indicativi e non impegnano F.lli Ferrari. Gru prodotte e/o commercializzate da F.lli Ferrari - Data, descriptions and illustrations are merely indicative and not binding. Cranes manufactured and marketed by F.lli Ferrari - Les données, descriptions et illustrations sont uniquement indicatives et n'engagent pas F.lli Ferrari. Grues produites et/ou vendues par F.lli Ferrari - Angaben, Beschreibungen und Abbildungen sind weisend und verpflichten nicht F.lli Ferrari. Die Kräne werden von F.lli Ferrari hergestellt und/oder vermarktet - Los datos, las descripciones y las ilustraciones son indicativos y no implican compromiso para F.lli Ferrari. Gruas produzidas y/o comercializadas por F.lli Ferrari - Os dados as descrições e ilustrações são indicativos e não comprometem F.lli Ferrari. Guindaste produzidos e/ou comercializados pela F.lli Ferrari.



Mod.	FOLDED		OPENED	
	A	B	C	D
736R A1	2500	2355	150	2300
736R A2	2500	2355	150	2300
736R A3	2500	2355	150	2300
736R A4	2500	2355	150	2300
736R A5	2500	2355	150	2300
736R A6	2500	2405	150	2300
736R A7	2500	2490	150	2300
736R A8	2530	2550	150	2300
736R A4J4	2535	2585	150	2300
736R A5J4	2545	2585	150	2300

## SPAZIO RICHIESTO PER L'INSTALLAZIONE NECESSARY SPACE FOR INSTALLATION

736R	Con attivazioni - With extra function	
736R A1	1170	1400
736R A2	1170	1400
736R A3	1170	1400
736R A4	1170	1400
736R A5	1170	1400
736R A6	1170	1400
736R A7	1220	-
736R A8	1300	-
736R A4J4	1330	-
736R A5J4	1330	-



F.lli FERRARI CORPORATION S.p.A.  
Via Pasubio, 3  
42022 Boretto (RE) Italy  
Tel. +39 0522/486311  
Fax +39 0522/486330  
E-mail: marketing@flliferrari.com  
www.flliferrari.com

COMPANY  
WITH QUALITY MANAGEMENT  
SYSTEM CERTIFIED BY DNV  
= ISO 9001/2000 =

M.K.T. 5800166 10/06 3000



  
**736R**

# 736R

**RED POWER**



F.LLI FERRARI CORPORATION S.p.A.

# FERRARI 736R



I

La gru F.Ili Ferrari mod. 736R racchiude in se caratteristiche tecniche e meccaniche di elevata qualità

- Acciai ad alto limite di snervamento
- Struttura interamente sabbiata
- Bracci esagonali
- Sbracci fino a 21.05 m (23.9 m con jib)
- Valvole di sicurezza flangiate
- Valvola rigenerativa sugli sfili idraulici
- Comandi bilaterali (no con RDC)
- Limitatore di momento
- Radiocomando
- Distributore proporzionale compensato Danfoss PVG 32
- ECM Electronic Crane Manager + Power Boost
- Filtro in pressione
- Stabilizzatori con apertura idraulica
- Boccole autolubrificanti
- Raccorderia SAE JIC
- Gancio girevole
- Kit di montaggio compreso
- Red Power

**Accessori**

- Prolunghe meccaniche
- Comandi supplementari attivati \*
- Stabilizzatori girevoli
- Traverse supplementari
- Dispositivo di controllo RLC
- Verricello idraulico
- Posto di manovra in alto
- Utilizzo con attrezzo \*

\*) No A7 - A8 - A6J2



GB

The crane model 736R from F.Ili Ferrari has been projected and manufactured with high quality technical and mechanical characteristics

- Steel with high yield strength
- Fully sandblasted structure
- Exagonal booms
- Hydraulic outreach until 21.05 m (23.9 with jib)
- Flanged safety valves
- Regenerating valve on hydraulic extensions
- Bilateral controls (no with remote control)
- Load limiting device
- Remote control
- Proportional control valve Danfoss PVG 32
- ECM Electronic Crane Manager + Power Boost
- Filter in pressure
- Stabilizers with hydraulic extension
- Self-tapping bushings
- SAE JIC fittings
- Turning hook
- Mounting kit included
- Red Power

**Accessories**

- Mechanical extensions
- Extra functions \*
- Turning stabilizers
- Extra beams
- Load ratio checking device RLC
- Hydraulic winch
- Top seat
- Use with special equipments \*



F

La grue modèle 736R F.Ili Ferrari est conçue avec des caractéristiques techniques et mécaniques de plus haute qualité

- Acier avec haut niveau de déformation plastique
- Structure complètement sablée
- Extensions hexagonales
- Portée hydraulique jusqu'à 21.05 m (23.9 avec jib)
- Soupapes de sûreté bridées
- Soupape régénération huile sur extensions hydrauliques
- Commandes bilatérales (pas avec radiocommande)
- Limiteur de moment
- Commande à distance
- Distributeur proportionnel Danfoss PVG 32
- ECM Electronic Crane Manager + Power Boost
- Filtre en pression
- Béquilles avec extension hydraulique
- Douilles autolubrifiantes
- Raccords SAE JIC
- Crochet tournant
- Kit de montage inclus
- Red Power

**Accessoires**

- Rallonges mécaniques
- Circuits supplémentaires activées \*
- Béquilles tournantes
- Béquilles supplémentaires
- Dispositif de contrôle de la charge RLC
- Treuil hydraulique
- Siège en haut
- Utilisation avec accessoires \*



D

Das Kranmodell 736R ist mit höchster Qualität für technischen und mechanischen Eigenschaften von F.Ili Ferrari entworfen und hergestellt worden

- Stahl mit hoher Fließgrenze
- Sandstrahlen der Struktur
- Sechswinklige Ausschübe
- Hydraulische Reichweite bis 21.05 m (23.9 mit Jib)
- Geflanschte Sicherheitsventile
- Regenerationsventil auf den Ausschüben
- Zweiseitige Steuerungen (nicht mit Funksteuerung)
- Momentbegrenzer
- Funksteuerung
- Proportionale Wegeventil Danfoss PVG 32
- ECM Electronic Crane Manager + Power Boost
- Druckfilter
- Abstützbeine mit hydraulischem Ausfahren
- Selbstschmierende Buchsen
- SAE JIC Anschlüsse
- Schwenkbarer Haken
- Einsatzbau eingeschlossen
- Red Power

**Zubehöre**

- Mechanische Verlängerungen
- Zusatzfunktionen \*
- Drehbare Abstützbeine
- Zusatzabstützungen
- Vorrichtung für Lastkontrolle RLC
- Hydraulische Seilwinde
- Hochsitz
- Benutzung mit Zubehören



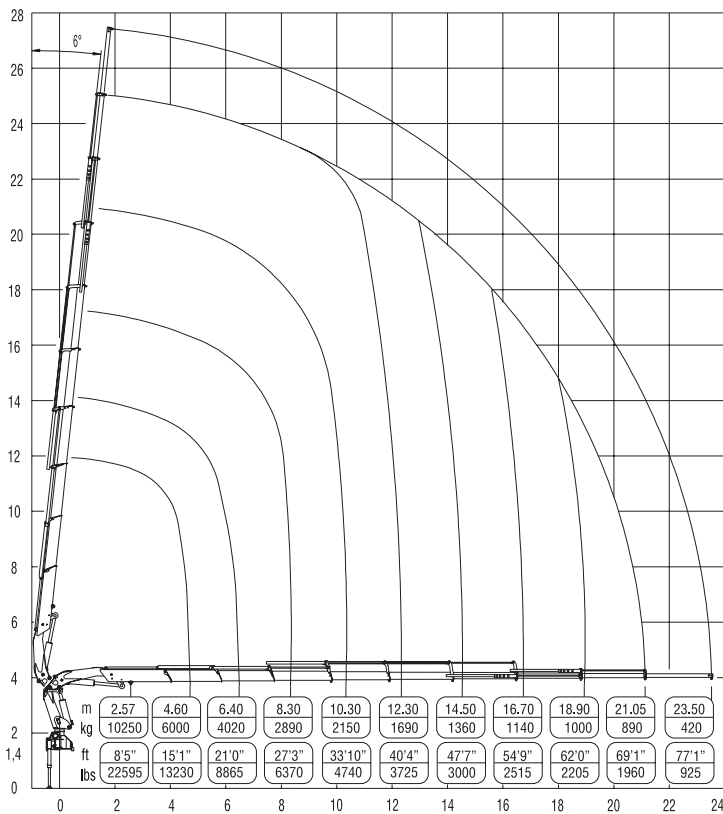
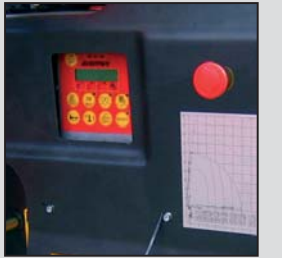
SP

El modelo de la grúa 736R de F.Ili Ferrari se ha proyectado y fabricado con características técnicas y mecánicas de alta calidad

- Acero en alto borde de rendimiento
- Estructura completamente arenada
- Prolongas hexagonales
- Alcances hidráulicos hasta 21.05 m (23.9 con jib)
- Valvulas de seguridad rebordeadas
- Valvula de regeneracion sobre las prolongas
- Mandos bilaterales (no con con mando a distancia)
- Limitador de carga
- Mando a distancia
- Distribuidor proporcional Danfoss PVG 32
- Electronic Crane Manager + Power Boost
- Filtro en presión
- Patas con apertura hidráulica
- Casquillos autolubrificantes
- Empalmes SAE JIC
- Gancho giratorio
- Kit de montaje incluido
- Red Power

**Accesorios**

- Prolongas mecanicas
- Activaciones adicionales
- Patas giratorias
- Patas adicionales
- Dispositivo de verificación de la carga RLC
- Cabrestante hidráulico
- Puesto de mando arriba
- Utilisacion con accesorios \*



Questo dispositivo visualizza su un display collocato in prossimità dei comandi il carico applicato al gancio della gru, rendendo l'utilizzo delle prolunghe meccaniche sicuro secondo la normativa europea EN 12999.

This device shows the load at the hook on a display placed near the controls, making safe the use of the mechanical booms following the European rule EN 12999.



**RADIO REMOTE CONTROL**

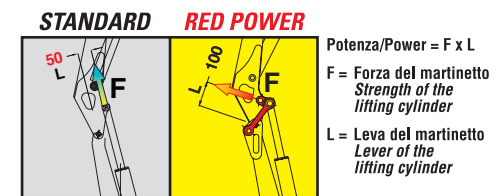


The operator can control the crane with high precision proportional levers in every position and, doing so, can supervise the loading and unloading operations. That means a great time saving and a higher safety.

All remote controls used by F.Ili FERRARI CORPORATION have an identification code and are shielded from electromagnetic fields and from external radio signals.

**RED POWER, FINO AL DOPPIO DELLA POTENZA\***

**RED POWER, TWICE THE POWER\***



POWER 50%    POWER 100%

Red power è sinonimo di maggior potenza di articolazione dei bracci gru, realizzato tramite un sistema di bielle di articolazione.

"Red Power" means more leverage to the crane booms. This leverage is achieved through an articulating connecting rod system.



\*) In posizione verticale / In vertical position

