

732

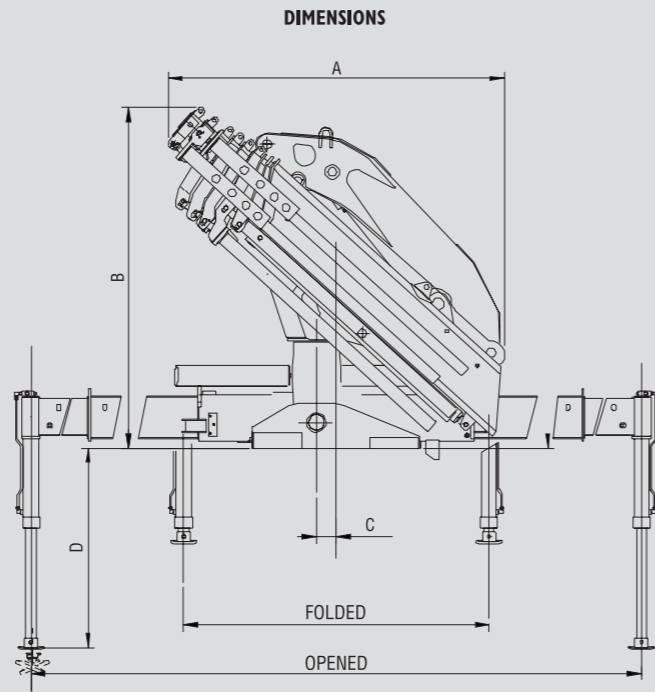
MODELLI MODELS	MOMENTO LIFTING MOMENT	SBRACCIO ORIZ. HORIZ. HYDRAULIC OUTREACH	PORTATA AL DISTRIBUTORE OIL FLOW TO THE CONTROL VALVE	SBRACCIO MAX. VERTICALE MAX VERTICAL REACH	PESO WEIGHT	PRESSIONE PRESSURE	INTERASSE STAB. STANDARD APERTI DISTANCE BETWEEN CENTRES WITH OPENED OUTRIGGERS
	Tm.	m.	l.min	m.	Kg	bar	mm.
732 A1	31.2	5.85	45	9.90	3590	305	6200
732 A2	30.3	7.70	45	11.7	3820	305	6200
732 A3	29.6	9.70	45	13.5	4040	305	6200
732 A4	29.0	11.80	45	15.5	4270	305	6200
732 A5	28.5	14.10	45	17.8	4440	305	6200
732 A6	27.8	16.40	45	20.0	4600	305	6200
732 A7	27.2	18.75	45	22.3	4720	305	6200
732 A8	26.8	21.05	45	24.5	4840	305	6200
732 A4J4	/	21.70	45	25.2	5110	305	6200
732 A5J4	/	23.90	45	27.3	5280	305	6200

Autocarro consigliato - Recommended truck - Camion conseillé - Camion aconsejado
M.T.T. ton 24 - G.V.W. ton 24

STANDARD



732 A1	m	2.57	4.08	5.85	7.65	9.70	11.79						
	Kg	11700	7580	5340	3850	2790	2100						
732 A2	m	2.57	4.08	5.85	7.70	9.70	11.79	14.08					
	Kg	11400	7430	5090	3850	2790	2100	1590					
732 A3	m	2.57	4.10	5.85	7.70	9.70	11.80	14.10	16.40				
	Kg	11100	7220	4930	3670	2870	2100	1590	1220				
732 A4	m	2.57	4.20	5.95	7.80	9.80	11.80	14.10	16.40	18.75			
	Kg	10800	6910	4690	3450	2660	2180	1590	1220	960			
732 A5	m	2.57	4.30	6.05	7.90	9.90	11.90	14.10	16.40	18.75	20.85		
	Kg	10500	6630	4480	3280	2480	2010	1670	1220	960	790		
732 A6	m	2.57	4.35	6.20	8.00	10.00	12.00	14.20	16.40	18.75	20.85		
	Kg	10250	6390	4270	3090	2320	1850	1510	1290	960	790		
732 A7	m	2.57	4.50	6.30	8.20	10.20	12.20	14.40	16.60	18.75	20.85		
	Kg	10000	6050	4060	2940	2180	1700	1370	1150	1000	790		
732 A8	m	2.57	4.60	6.40	8.30	10.30	12.30	14.50	16.70	18.90	21.05	23.50	
	Kg	9950	5820	3860	2750	2020	1570	1250	1030	890	790	400	
732 A4J4	m							14.7	16.4	18.2	19.9	21.7	23.5
	Kg							1090	935	815	695	605	425
732 A5J4	m							16.9	18.6	20.3	22.1	23.9	25.8
	Kg							705	605	525	465	425	335



Mod.	FOLDED			OPENED		
	A	B	C	STD	D	STD
732 A1	2500	2355	150	2300	1485	6200
732 A2	2500	2355	150	2300	1485	6200
732 A3	2500	2355	150	2300	1485	6200
732 A4	2500	2355	150	2300	1485	6200
732 A5	2500	2355	150	2300	1485	6200
732 A6	2500	2405	150	2300	1485	6200
732 A7	2500	2490	150	2300	1485	6200
732 A8	2530	2550	150	2300	1485	6200
732 A4J4	2535	2585	150	2300	1485	6200
732 A5J4	2545	2585	150	2300	1485	6200

SPAZIO RICHIESTO PER L'INSTALLAZIONE NECESSARY SPACE FOR INSTALLATION

732	Con attivazioni - With extra function	
732 A1	1170	1400
732 A2	1170	1400
732 A3	1170	1400
732 A4	1170	1400
732 A5	1170	1400
732 A6	1170	1400
732 A7	1220	-
732 A8	1300	-
732 A4J4	1330	-
732 A5J4	1330	-

F.LI FERRARI CORPORATION S.p.A.
Via Pasubio, 3
42022 Boretto (RE) Italy
Tel. +39 0522/486311
Fax +39 0522/486330
E-mail: marketing@flliferrari.com
www.flliferrari.com

COMPANY
WITH QUALITY MANAGEMENT
SYSTEM CERTIFIED BY DNV
= ISO 9001/2000 =

M.K.T. 5800165 10/06 3000

732



732

RED POWER

F.LI FERRARI CORPORATION S.p.A.

Dati, descrizioni e illustrazioni sono indicativi e non impegnano F.LI Ferrari. Gru prodotte e/o commercializzate da F.LI Ferrari - Data, descriptions and illustrations are merely indicative and not binding. Cranes manufactured and marketed by F.LI Ferrari - Les données, descriptions et illustrations sont uniquement indicatives et n'engagent pas F.LI Ferrari. Gruas producidas e/ou comercializadas por F.LI Ferrari - Angaben, Beschreibungen und Abbildungen sind weisend und verpflichten nicht F.LI Ferrari. Die Kräne werden von F.LI Ferrari hergestellt und/oder vermarktet. - Los datos, las descripciones y las ilustraciones son indicativos y no implican compromiso para F.LI Ferrari. Gruas produzidas y/o comercializadas por F.LI Ferrari - Os dados as descrições e ilustrações são indicativos e não comprometem F.LI Ferrari. Guindaste produzidos e/ou comercializados pela F.LI Ferrari.

FERRARI 732



I

La gru F.Ili Ferrari mod. 732 racchiude in se caratteristiche tecniche e meccaniche di elevata qualità

- Acciai ad alto limite di snervamento
- Struttura interamente sabbiata
- Bracci esagonali
- Sbracci fino a 21.05 m (23.9 m con jib)
- Valvole di sicurezza flangiata
- Valvola rigenerativa sugli sfili idraulici
- Comandi bilaterali (no con RDC)
- Limitatore di momento
- Stabilizzatori con apertura idraulica
- Boccole autolubrificanti
- Raccorderia SAE JIC
- Gancio girevole
- Kit di montaggio compreso
- Red Power

Accessori

- Prolunghe meccaniche
- Comandi supplementari attivati*
- Stabilizzatori girevoli
- Traverse supplementari
- Distributore proporzionale compensato Danfoss PVG 32
- Dispositivo di controllo RLC
- Verricello idraulico
- Radiocomando
- ECM Electronic Crane Manager (solo con radiocomando)
- Filtro in pressione (solo con radiocomando)
- Scambiatore di calore
- Posto di manovra in alto
- Utilizzo con attrezzo*

*) No A7- A8 - A4J4 - A5J4



GB

The crane model 732 from F.Ili Ferrari has been projected and manufactured with high quality technical and mechanical characteristics

- Steel with high yield strength
- Fully sandblasted structure
- Exagonal booms
- Hydraulic outreach until 21.05 m (23.9 with jib)
- Flanged safety valves
- Regenerating valve on hydraulic extensions
- Bilateral controls (no with remote control)
- Load limiting device
- Stabilizers with hydraulic extension
- Self-tapping bushings
- SAE JIC fittings
- Turning hook
- Mounting kit included
- Red Power

Accessories

- Mechanical extensions
- Extra functions*
- Turning stabilizers
- Extra beams
- Proportional control valve Danfoss PVG 32
- Load ratio checking device RLC
- Hydraulic winch
- Remote control
- ECM Electronic Crane Manager (with remote control)
- Filter in pressure (with remote control)
- Oil cooler
- Top seat
- Use with special equipments*



F

La grue modèle 732 F.Ili Ferrari est conçue avec des caractéristiques techniques et mécaniques de plus haute qualité

- Acier avec haut niveau de déformation plastique
- Structure complètement sablée
- Extensions hexagonales
- Portée hydraulique jusqu'à 21.05 m (23.9 avec jib)
- Soupapes de sûreté bridées
- Soupape régénération huile sur extensions hydrauliques
- Commandes bilatérales (pas avec radiocommande)
- Limiteur de moment
- Béquilles avec extension hydraulique
- Douilles autolubrifiantes
- Raccords SAE JIC
- Crochet tournant
- Kit de montage inclus
- Red Power

Accessoires

- Rallonges mécaniques
- Circuits supplémentaires activées*
- Béquilles tournantes
- Béquilles supplémentaires
- Distributeur proportionnel Danfoss PVG 32
- Dispositif de contrôle de la charge RLC
- Treuil hydraulique
- Commande à distance
- ECM Electronic Crane Manager (avec radiocommande)
- Filtre en pression (avec radiocommande)
- Refroidisseur huile
- Siège en haut
- Utilisation avec accessoires*



D

Das Kranmodell 732 ist mit höchster Qualität für techniscen un mechanischen Eigenschaften von F.Ili Ferrari entworfen und hergestellt worden

- Stahl mit hoher Fließgrenze
- Sandstrahlen der Struktur
- Sechswinklge Ausschübe
- Hydraulische Reichweite bis 21.05 m (23.9 mit Jib)
- Geflanschte Sicherheitsventile
- Regenerationsventil auf den Ausschüben
- Zweiseitige Steuerungen (nicht mit Funksteuerung)
- Momentbegrenzer
- Abstützbeine mit hydraulischem Ausfahren
- Selbstschmierende Buchsen
- SAE JIC Anschlüsse
- Schwenkbarer Haken
- Einsatzbau eingeschlossen
- Red Power

Zubehöre

- Mechanische Verlängerungen
- Zusatzfunktionen*
- Drehbare Abstützbeine
- Zusatzabstützungen
- Proportionale Wegeventil Danfoss PVG 32
- Vorrichtung für Lastkontrolle RLC
- Hydraulische Seilwinde
- Funksteuerung
- ECM Electronic Crane Manager (nur mit Funksteuerung)
- Druckfilter (nur mit Funksteuerung)
- Ölkühler
- Hochsitz
- Benutzung mit Zubehören*



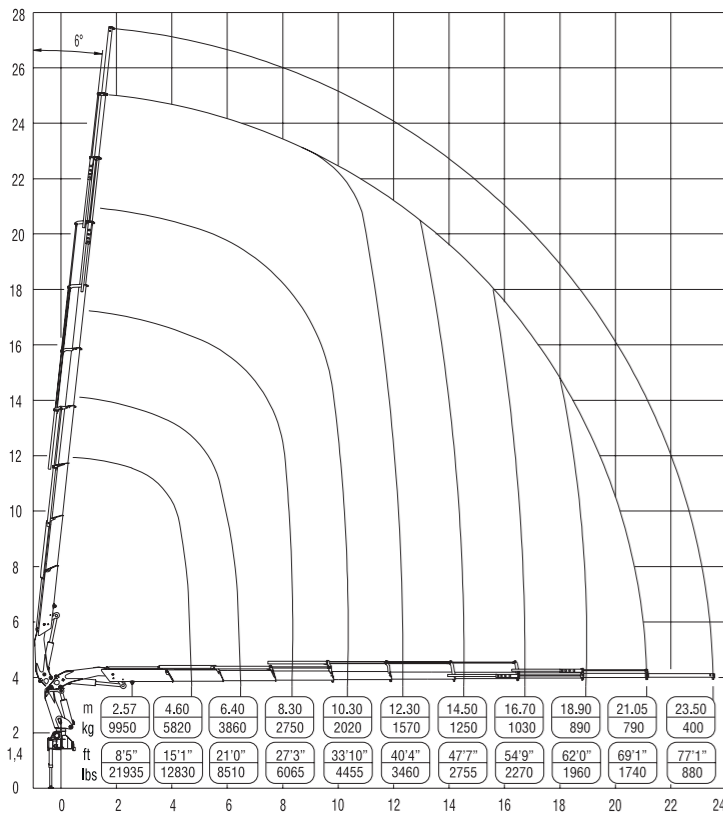
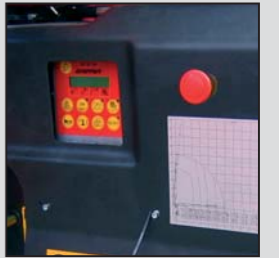
SP

El modelo de la grúa 732 de F.Ili Ferrari se ha proyectado y fabricado con características técnicas y mecánicas de alta calidad

- Acero en alto borde de rendimiento
- Estructura completamente arenada
- Prolongas hexagonales
- Alcances hidraulicos hasta 21.05 m (23.9 con jib)
- Valvula de seguridad rebordeadas
- Valvula de regeneracion sobre las prolongas
- Mandos bilaterales (no con con mando a distancia)
- Limitador de carga
- Patas con apertura hidráulica
- Casquillos autolubrificantes
- Empalmes SAE JIC
- Gancho giratorio
- Kit de montaje incluido
- Red Power

Acesorios

- Prolongas mecanicas
- Activaciones adicionales*
- Patas giratorias
- Patas adicionales
- Distribuidor proporcional Danfoss PVG 32
- Dispositivo de verificación de la carga RLC
- Cabrestante hidraulico
- Mando a distancia
- Electronic Crane Manager (con mando a distancia)
- Filtro en presión (con mando a distancia)
- Cambiador de calor
- Puesto de mando arriba
- Utilisacion con accesorios*



Questo dispositivo visualizza su un display collocato in prossimità dei comandi il carico applicato al gancio della gru, rendendo l'utilizzo delle prolunghe meccaniche sicuro secondo la normativa europea EN 12999.

This device shows the load at the hook on a display placed near the controls, making safe the use of the mechanical booms following the European rule EN 12999.



RADIO REMOTE CONTROL

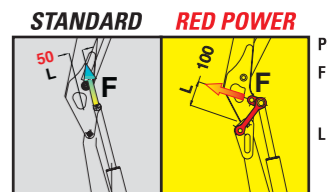


The operator can control the crane with high precision proportional levers in every position and, doing so, can supervise the loading and unloading operations. That means a great time saving and a higher safety.

All remote controls used by F.Ili FERRARI CORPORATION have an identification code and are shielded from electromagnetic fields and from external radio signals.

RED POWER, FINO AL DOPPIO DELLA POTENZA*

RED POWER, TWICE THE POWER*



POWER 50% POWER 100%

Red power è sinonimo di maggior potenza di articolazione dei bracci gru, realizzato tramite un sistema di bielle di articolazione.

"Red Power" means more leverage to the crane booms. This leverage is achieved through an articulating connecting rod system.



RED POWER

