



# RE-260RA

OUTPUT : 0.4W ~ 4.0W (APPROX)

金属ブラシ | Metal-brush motors | 金属电刷

代表的用途 玩具・模型：玩具／プラモデル

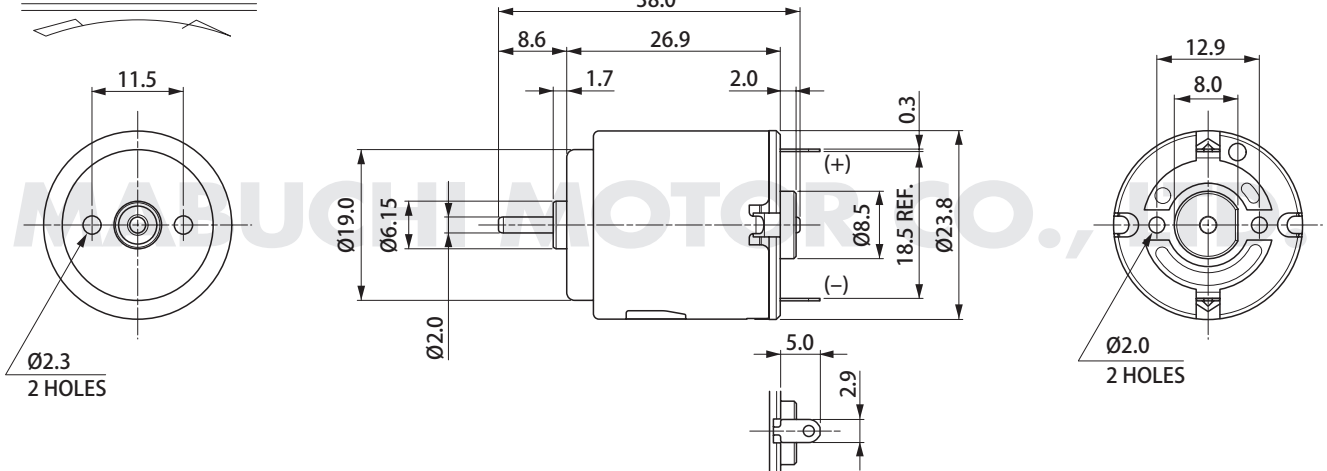
Typical Applications Toys and Models : Motorized Toy / Motorized Plastic Model

主要用途 玩具、模型：玩具、組合式模型

WEIGHT : 28g (APPROX)

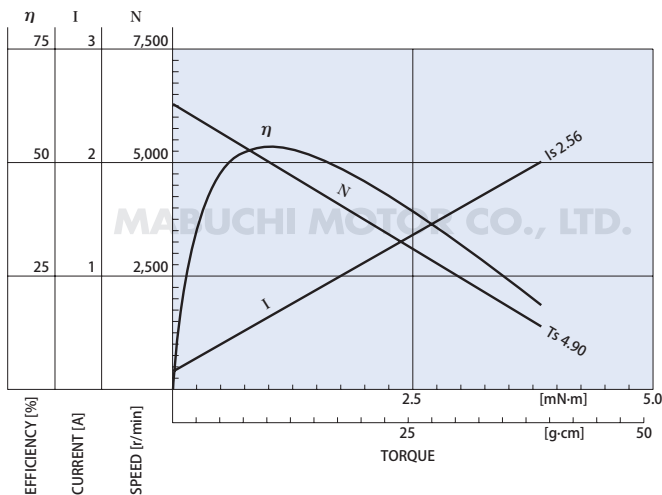
MODEL	VOLTAGE		NO LOAD		AT MAXIMUM EFFICIENCY					STALL		
	OPERATING RANGE	NOMINAL	SPEED	CURRENT	SPEED	CURRENT	TORQUE		OUTPUT	TORQUE		CURRENT
			r/min	A	r/min	A	mN-m	g-cm	W	mN-m	g-cm	A
RE-260RA-2670	1.5~3.0	1.5V CONSTANT	6300	0.16	5040	0.64	0.98	10.0	0.52	4.90	50	2.56
RE-260RA-18130	1.5~4.5	3V CONSTANT	6900	0.095	5470	0.36	0.97	9.9	0.56	4.70	48	1.40
RE-260RA-2295	1.5~4.5	3V CONSTANT	9400	0.15	7610	0.64	1.31	13.3	1.04	6.86	70	2.70

DIRECTION OF ROTATION



UNIT : MILLIMETERS

## RE-260RA-2670 1.5V



## RE-260RA-18130 3.0V

