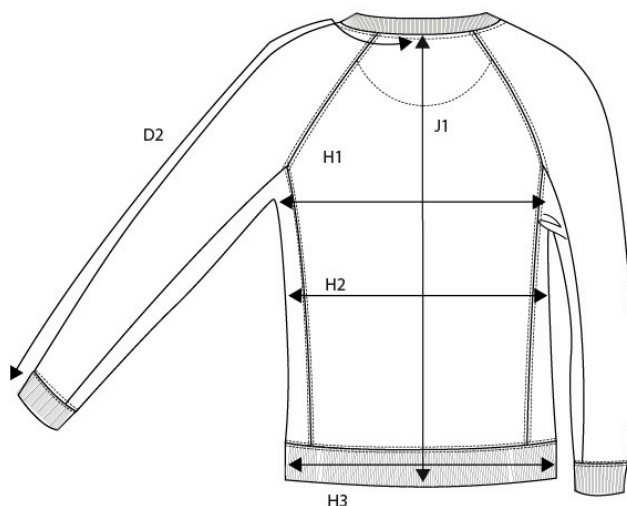
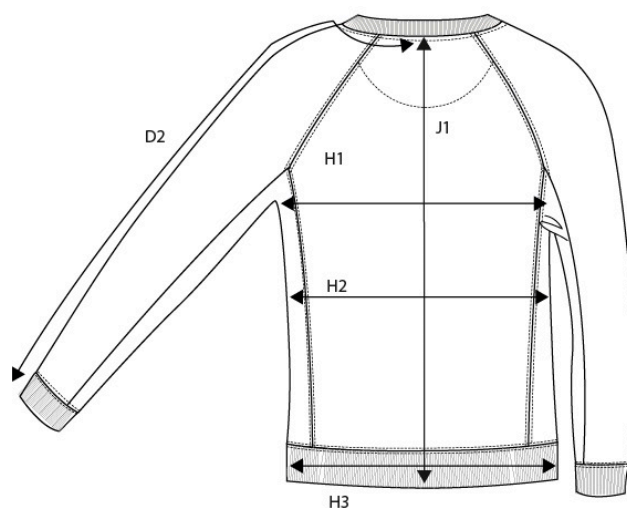


SIZE AND FIT: NEWPORT CREWNECK



NEWPORT Mens

Base size: M / Measurement (in cm)	Diagram	S	M	L	XL	XXL	3XL	4XL
CENTRE BACK TO END OF SLEEVE - RAGLAN-	D2	85,5	88	90,5	93	95,5	98	100,5
CHEST WIDTH at armhole	H1	52	55	58	61	64	67	70
WAIST	H2	47,5	50,5	53,5	56,5	59,5	62,5	65,5
BOTTOM WIDTH - RIB BOTTOM EDGE	H4	44,5	47,5	50,5	53,5	56,5	59,5	62,5
FULL LENGTH at centre back	J1	66	68	70	72	74	76	78



NEWPORT Ladies

Base size: M / Measurement (in cm)	Diagram	XS	S	M	L	XL	XXL	3XL
CENTRE BACK TO END OF SLEEVE - For Raglan-	D2	78,5	80,25	82	83,75	85,5	87,25	89
CHEST WIDTH at armhole	H1	44	47	50	53	56	59	63
WAIST	H2	41	44	47	50	53	57	61
BOTTOM WIDTH - RIB BOTTOM EDGE	H4	40	43	46	49	52	55	59
FULL LENGTH at centre back	J1	58	60	62	64	66	68	70



SIZE GUIDE

LADIES

CM

	EN / UK / US XS / 8 / 4	EN / UK / US S / 10 / 6	EN / UK / US M / 12 / 8	EN / UK / US L / 14 / 10	EN / UK / US XL / 16 / 12	EN / UK / US 2XL / 18 / 14	EN / UK / US 3XL / 20 / 16
CHEST	75-80	81-86	87-92	93-98	99-104	105-111	112-118
WAIST	59-64	65-70	71-76	77-82	83-88	89-95	96-103
HIP	83-88	89-94	96-101	102-107	108-113	114-120	121-127

MENS

CM

	EN / UK + US S	EN / UK + US M	EN / UK + US L	EN / UK + US XL	EN / UK + US 2XL	EN / UK + US 3XL	EN / UK + US 4XL
NECK	37/38	39/40	41/42	43/44	45/46	47/48	49/50
CHEST	90-95	96-101	102-107	108-113	114-119	120-125	126-131
WAIST	76-81	82-87	88-93	94-99	100-105	106-111	112-117
HIP	92-97	98-103	104-109	110-115	116-121	122-127	128-133

HOW TO MEASURE

