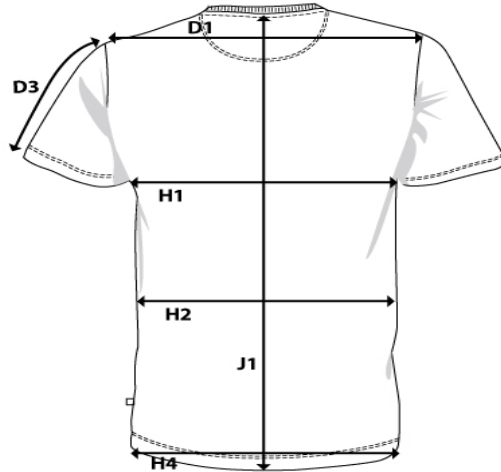
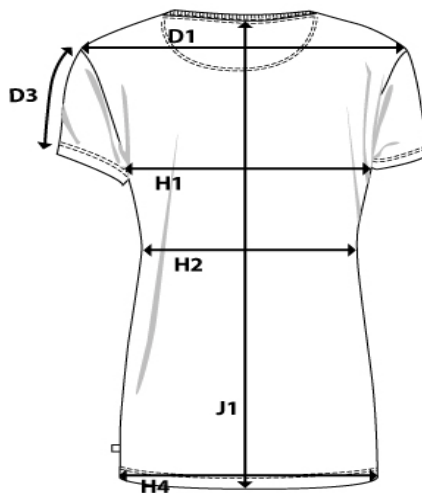


SIZE AND FIT: MONTAUK



MONTAUK Mens

Base size: M / Measurement (in cm)	Diagram	S	M	L	XL	XXL	3XL	4XL
SHOULDER TO SHOULDER	D1	42	43,5	45	46,5	48	49,5	51
SLEEVE LENGTH - from shoulder seam	D3	19,5	20,5	21,5	22,5	23,5	24,5	24,5
CHEST WIDTH at armhole	H1	50,5	53,5	56,5	59,5	62,5	65,5	68,5
WAIST	H2	48,5	51,5	54,5	57,5	60,5	63,5	66,5
BOTTOM WIDTH	H4	48	51	54	57	60	63	66
FULL LENGTH at centre back	J1	66,5	68,5	70,5	72,5	74,5	76,5	76,5



MONTAUK Ladies

Base size: M / Measurement (in cm)	Diagram	XS	S	M	L	XL	XXL	3XL
SHOULDER TO SHOULDER	D1	35	36,5	38	39,5	41	42,5	44
SLEEVE LENGTH - from shoulder seam	D3	12	13	14	15	16	17	18
CHEST WIDTH at armhole	H1	41	44	47	50	53	56	60
WAIST	H2	38,5	41,5	44,5	47,5	50,5	54,5	58,5
BOTTOM WIDTH	H4	40	43	46	49	52	55	59
FULL LENGTH at centre back	J1	56	58	60	62	64	66	68



SIZE GUIDE

LADIES

CM

	EN / UK / US XS / 8 / 4	EN / UK / US S / 10 / 6	EN / UK / US M / 12 / 8	EN / UK / US L / 14 / 10	EN / UK / US XL / 16 / 12	EN / UK / US 2XL / 18 / 14	EN / UK / US 3XL / 20 / 16
CHEST	75-80	81-86	87-92	93-98	99-104	105-111	112-118
WAIST	59-64	65-70	71-76	77-82	83-88	89-95	96-103
HIP	83-88	89-94	96-101	102-107	108-113	114-120	121-127

MENS

CM

	EN / UK + US S	EN / UK + US M	EN / UK + US L	EN / UK + US XL	EN / UK + US 2XL	EN / UK + US 3XL	EN / UK + US 4XL
NECK	37/38	39/40	41/42	43/44	45/46	47/48	49/50
CHEST	90-95	96-101	102-107	108-113	114-119	120-125	126-131
WAIST	76-81	82-87	88-93	94-99	100-105	106-111	112-117
HIP	92-97	98-103	104-109	110-115	116-121	122-127	128-133

HOW TO MEASURE

