

4 BOLT
 BASE BOLT PATTERN
 7/8" BASE PLATE THICKNESS AT ANCHOR BOLT
 VIEW A-A
 NOT TO SCALE

CONFIDENTIAL

CREATED BY: BOHL CRANE INC

GORBEL

600 FISHERS RUN
 P.O. BOX 593
 FISHERS, NY 14453-0593

WSJ360-NP6-250-10-10

CAPACITY: 250 LBS

SPAN: 10 FT

H.U.B.: 10 FT

QUANTITY: 1

SHIPPING WT.: 438 LBS

DRAWN:

DATE: 7/24/2023

C.O.#: ANTSMI00006

P/N: ANTSMI00006.0A

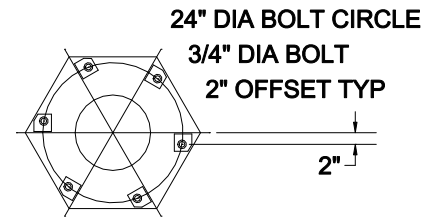
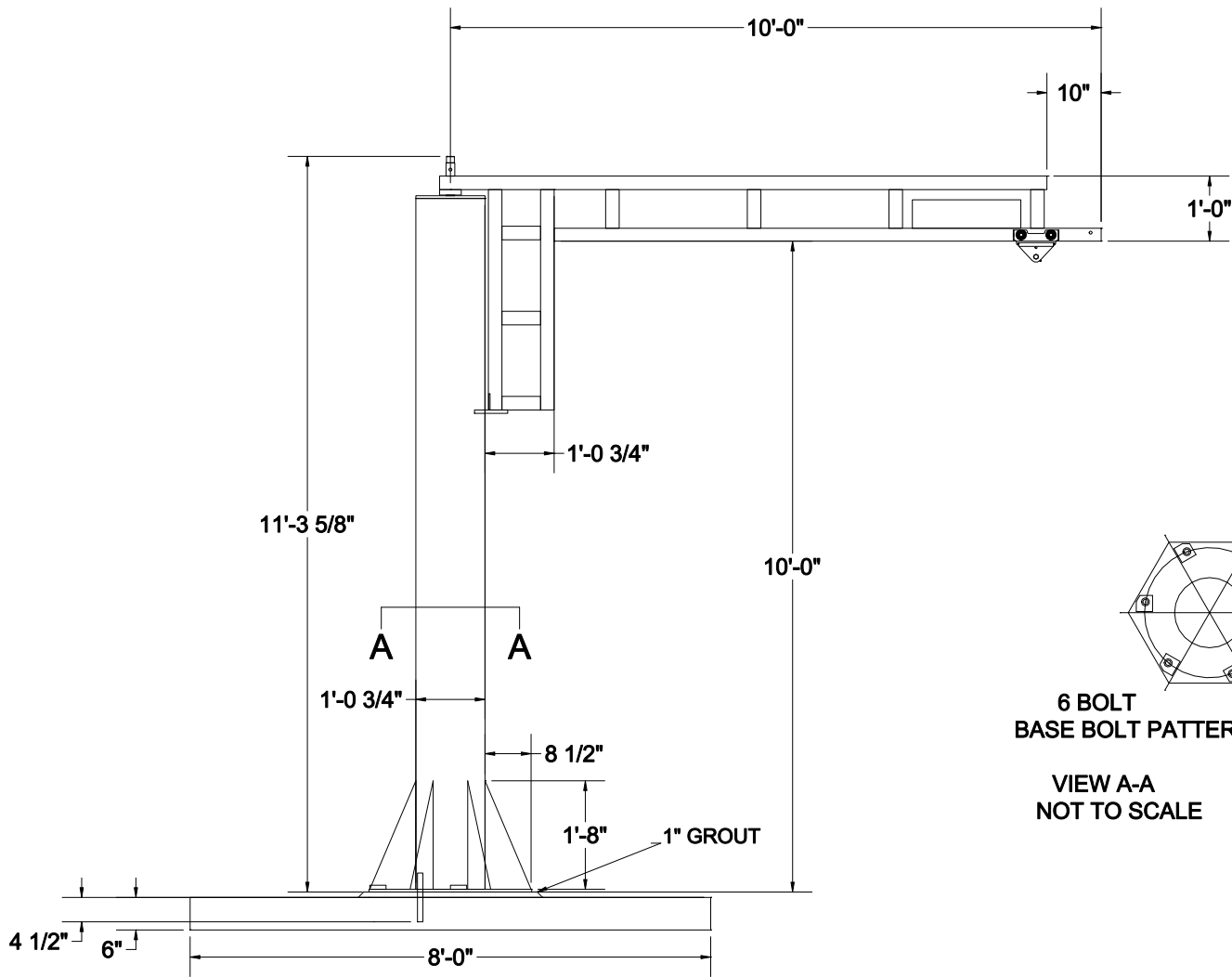
TROLLEY TRAVEL: 7'-11 5/16"

FOUNDATIONLESS REQUIREMENTS:

- CENTERED ON A SQUARE FOOT AREA THAT IS FREE FROM CRACKS, SEAMS, AND WALLS.
- REINFORCED CONCRETE WITH PRESSURE OF 3000 PSI AND SOIL PRESSURE OF 2500 PSF.
- CHEMICAL ANCHOR BOLTS TO WITHSTAND A MINIMUM OF 2,850 LBS. OF PULL OUT FORCE.
- CONCRETE MUST CONTAIN A MINIMUM OF WIRE MESH REINFORCEMENT.
- IT IS THE RESPONSIBILITY OF THE DEALER AND END USER TO VALIDATE THE MOUNTING STRUCTURE IS SUFFICIENT TO RESIST CRANE LOADINGS. GORBEL ASSUMES NO LIABILITY FOR FAILURES OF EQUIPMENT OR STRUCTURES NOT SUPPLIED BY GORBEL.

DO NOT SCALE FROM THIS DRAWING.

250 LB CAPACITY



6 BOLT
BASE BOLT PATTERN

VIEW A-A
NOT TO SCALE

CONFIDENTIAL

CREATED BY: BOHL CRANE INC

GORBEL

600 FISHERS RUN
P.O. BOX 593
FISHERS, NY 14453-0593

WSJ360-NP6-500-10-10

CAPACITY: 500 LBS

SPAN: 10 FT

H.U.B.: 10 FT

QUANTITY: 1

SHIPPING WT.: 654 LBS

DRAWN:

DATE: 7/24/2023

C.O.#: ANTSMI00006

P/N: ANTSMI00006.0A

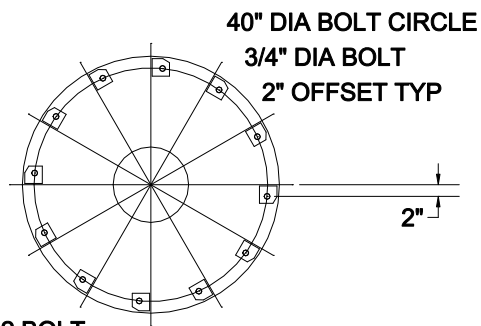
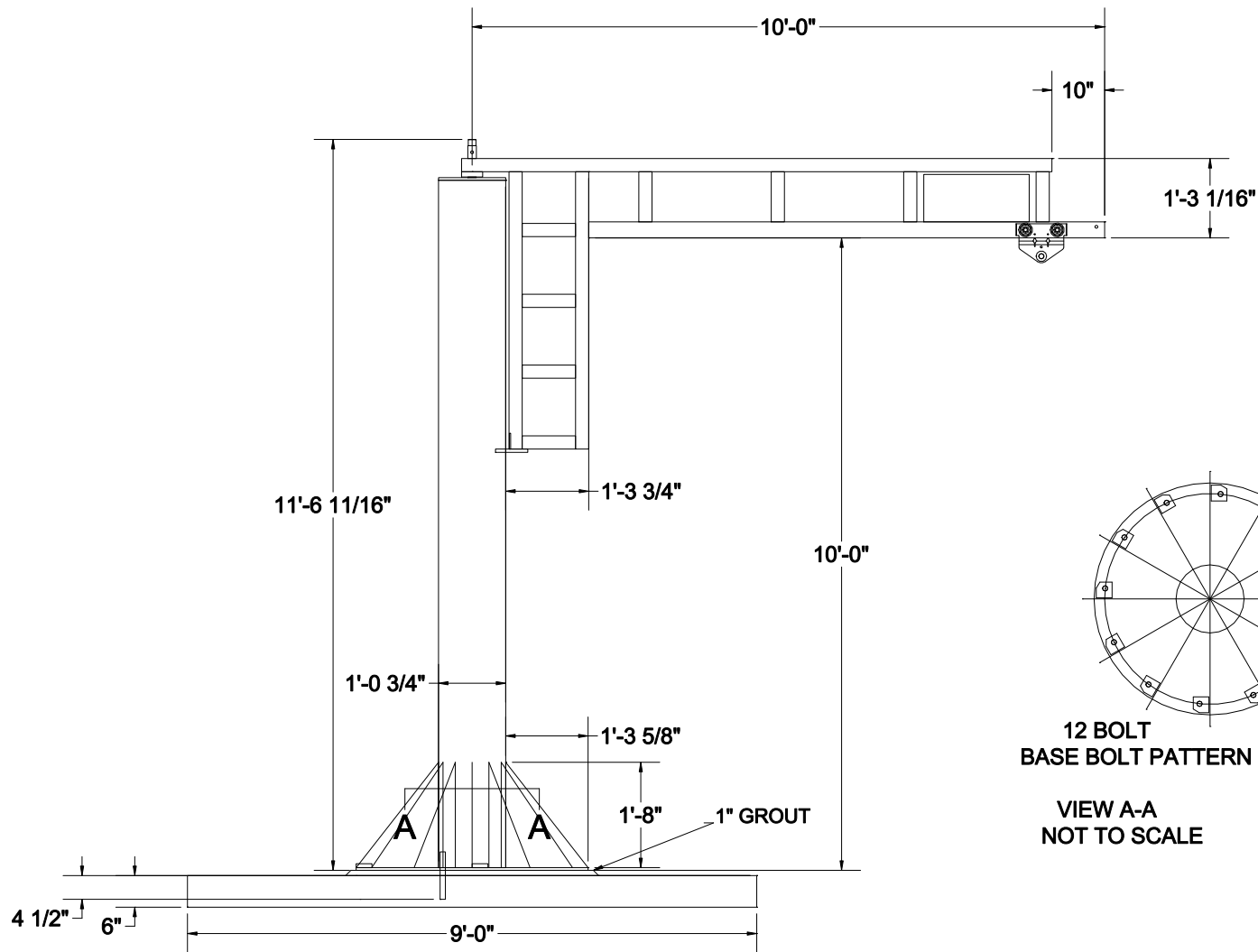
TROLLEY TRAVEL: 7'-5 9/16"

FOUNDATIONLESS REQUIREMENTS:

- CENTERED ON A SQUARE FOOT AREA THAT IS FREE FROM CRACKS, SEAMS, AND WALLS.
- REINFORCED CONCRETE WITH PRESSURE OF 3000 PSI AND SOIL PRESSURE OF 2500 PSF.
- CHEMICAL ANCHOR BOLTS TO WITHSTAND A MINIMUM OF 2,850 LBS. OF PULL OUT FORCE.
- CONCRETE MUST CONTAIN A MINIMUM OF WIRE MESH REINFORCEMENT.
- IT IS THE RESPONSIBILITY OF THE DEALER AND END USER TO VALIDATE THE MOUNTING STRUCTURE IS SUFFICIENT TO RESIST CRANE LOADINGS. GORBEL ASSUMES NO LIABILITY FOR FAILURES OF EQUIPMENT OR STRUCTURES NOT SUPPLIED BY GORBEL.

500 LB CAPACITY

DO NOT SCALE FROM THIS DRAWING.



12 BOLT
BASE BOLT PATTERN

VIEW A-A
NOT TO SCALE

CONFIDENTIAL

CREATED BY: BOHL CRANE INC

GORBEL

600 FISHERS RUN
P.O. BOX 593
FISHERS, NY 14453-0593

WSJ360-NP6-1000-10-10

CAPACITY: 1000 LBS
SPAN: 10 FT
H.U.B.: 10 FT
QUANTITY: 1
SHIPPING WT.: 951 LBS

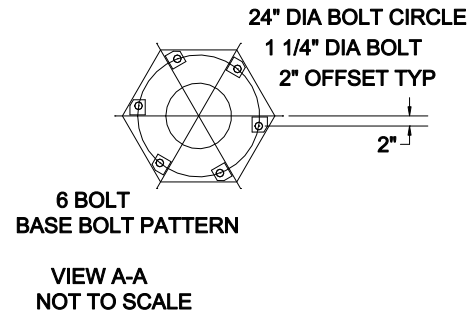
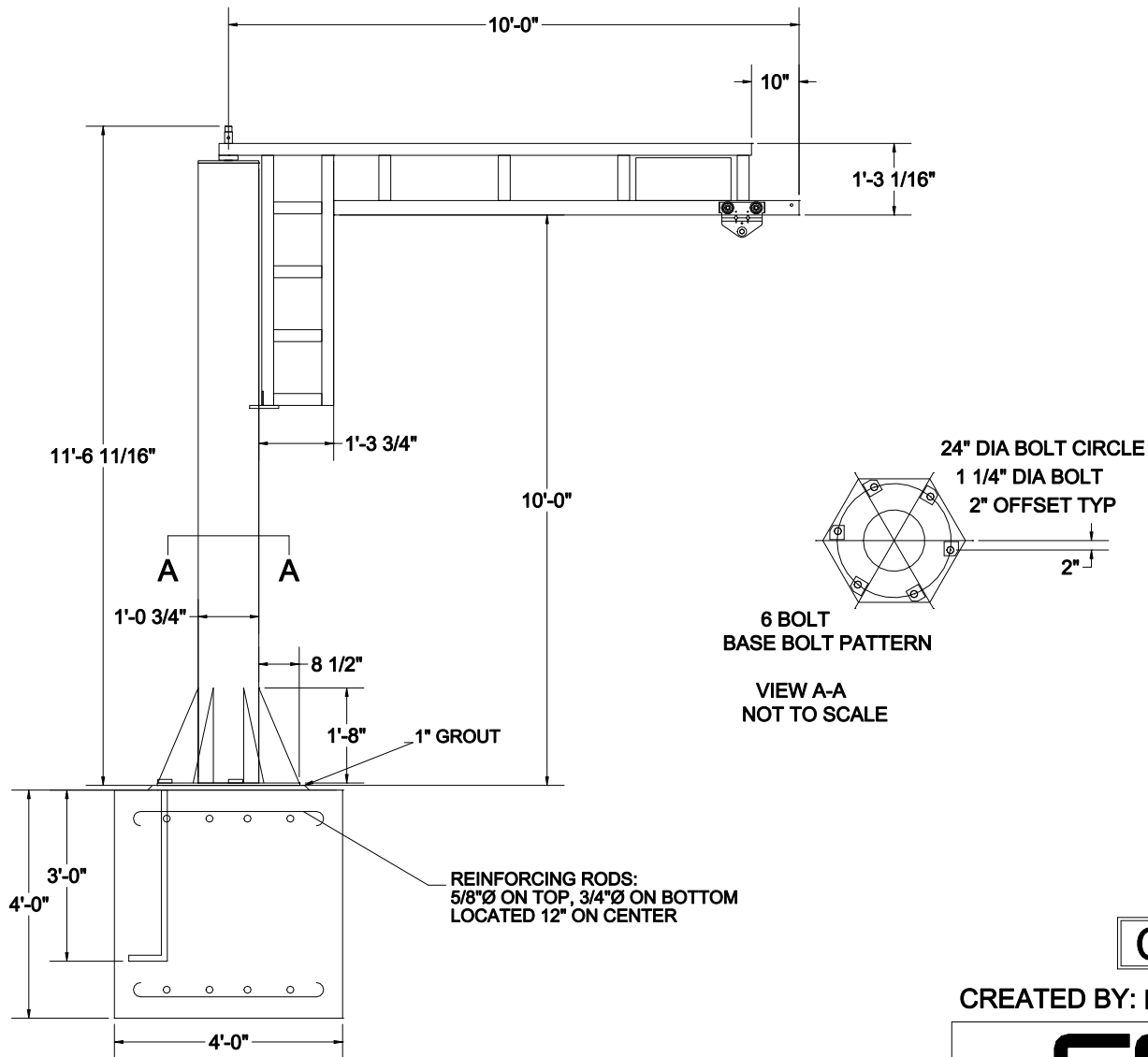
| | |
|--------------------|---------------------|
| DRAWN: | DATE: 7/24/2023 |
| C.O.#: ANTSMI00006 | P/N: ANTSMI00006.0A |

TROLLEY TRAVEL: 7'-1 3/16"

- FOUNDATIONLESS REQUIREMENTS:
- CENTERED ON A SQUARE FOOT AREA THAT IS FREE FROM CRACKS, SEAMS, AND WALLS.
 - REINFORCED CONCRETE WITH PRESSURE OF 3000 PSI AND SOIL PRESSURE OF 2500 PSF.
 - CHEMICAL ANCHOR BOLTS HIT-HY 200 +3/4" HAS-B-105.
 - CONCRETE MUST CONTAIN A MINIMUM OF WIRE MESH REINFORCEMENT.
 - IT IS THE RESPONSIBILITY OF THE DEALER AND END USER TO VALIDATE THE MOUNTING STRUCTURE IS SUFFICIENT TO RESIST CRANE LOADINGS. GORBEL ASSUMES NO LIABILITY FOR FAILURES OF EQUIPMENT OR STRUCTURES NOT SUPPLIED BY GORBEL.

1000 LB CAPACITY

DO NOT SCALE FROM THIS DRAWING.



CONFIDENTIAL

CREATED BY: BOHL CRANE INC

GORBEL

600 FISHERS RUN
P.O. BOX 593
FISHERS, NY 14453-0593

WSJ360-1000-10-10

CAPACITY: 1000 LBS

SPAN: 10 FT

H.U.B.: 10 FT

QUANTITY: 1

SHIPPING WT.: 711 LBS

DRAWN:

DATE: 7/24/2023

C.O.#: ANTSMI00006

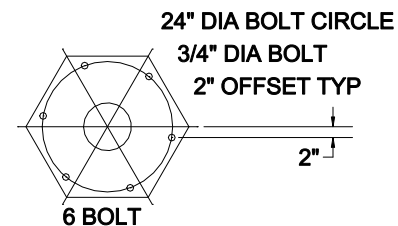
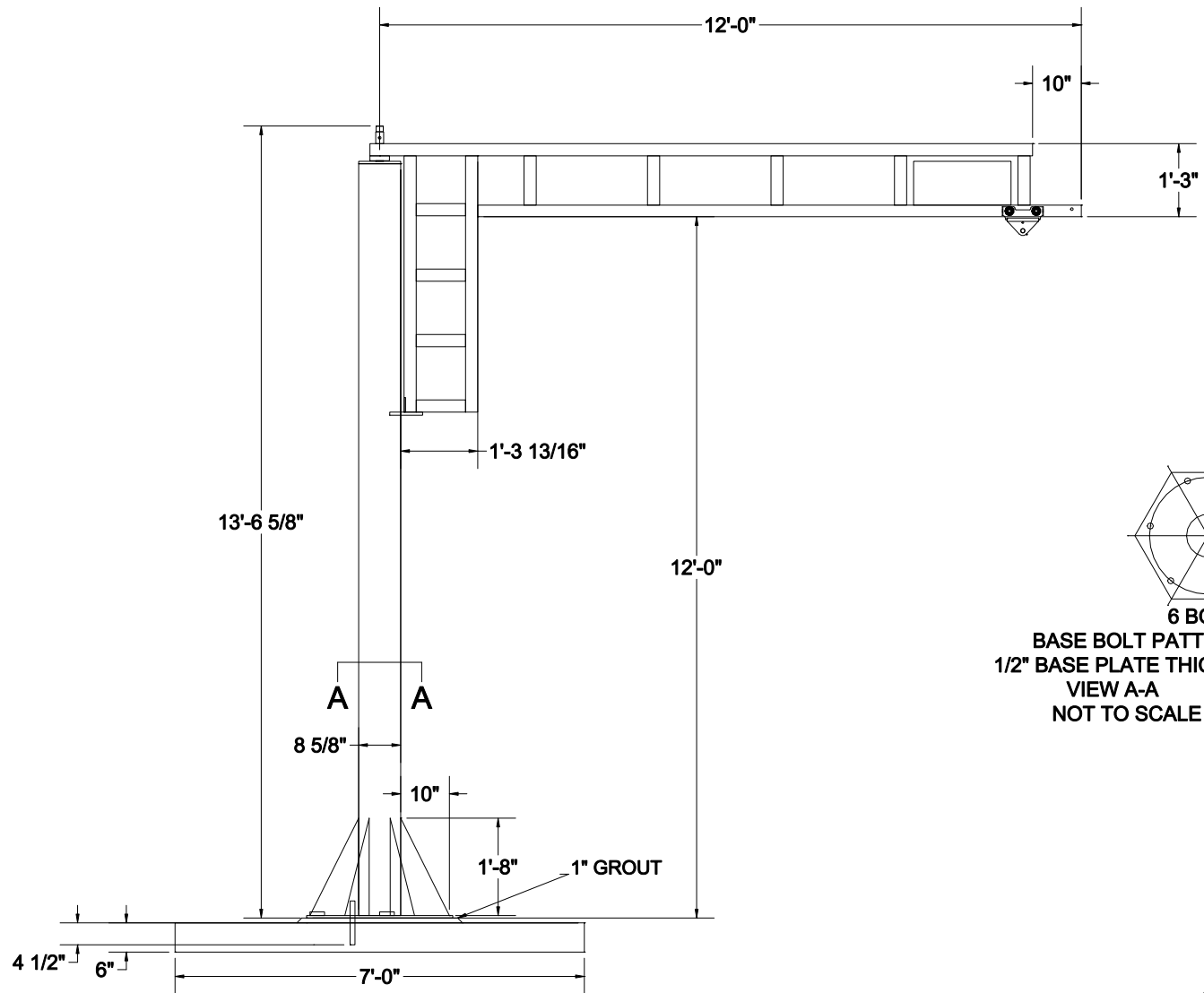
P/N: ANTSMI00006.0A

TROLLEY TRAVEL: 7'-1 3/16"

1) JIB CRANE FOUNDATION REQUIREMENTS ARE BASED ON A SOIL PRESSURE OF 2500 LBS PER SQUARE FOOT. CONCRETE RECOMMENDED FOR JIB CRANE FOUNDATION IS 3000 LBS PER SQUARE INCH OF COMPRESSIVE FORCE.

DO NOT SCALE FROM THIS DRAWING.

1000 LB CAPACITY



24" DIA BOLT CIRCLE
 3/4" DIA BOLT
 2" OFFSET TYP
 6 BOLT
 BASE BOLT PATTERN
 1/2" BASE PLATE THICKNESS AT ANCHOR BOLT
 VIEW A-A
 NOT TO SCALE

CONFIDENTIAL

CREATED BY: BOHL CRANE INC

GORBEL

600 FISHERS RUN
 P.O. BOX 593
 FISHERS, NY 14453-0593

WSJ360-NP6-250-12-12

CAPACITY: 250 LBS

SPAN: 12 FT

H.U.B.: 12 FT

QUANTITY: 1

SHIPPING WT.: 632 LBS

DRAWN:

DATE: 7/24/2023

C.O.#: ANTSMI00006

P/N: ANTSMI00006.0A

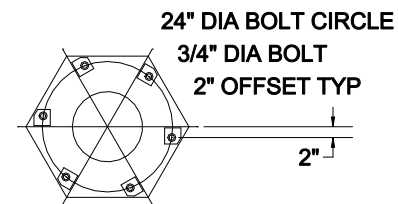
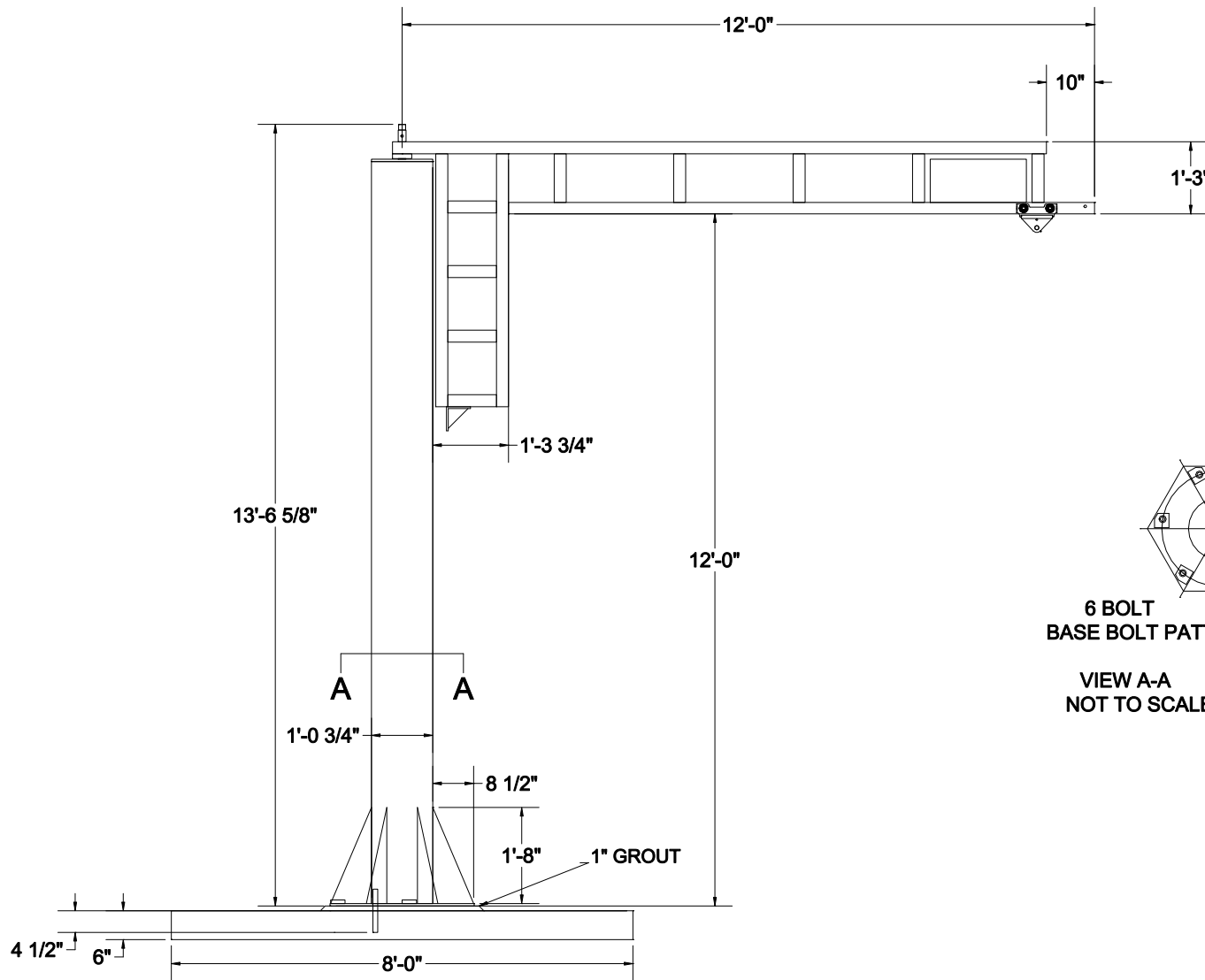
TROLLEY TRAVEL: 9'-4 9/16"

FOUNDATIONLESS REQUIREMENTS:

- CENTERED ON A SQUARE FOOT AREA THAT IS FREE FROM CRACKS, SEAMS, AND WALLS.
- REINFORCED CONCRETE WITH PRESSURE OF 3000 PSI AND SOIL PRESSURE OF 2500 PSF.
- CHEMICAL ANCHOR BOLTS TO WITHSTAND A MINIMUM OF 2,850 LBS. OF PULL OUT FORCE.
- CONCRETE MUST CONTAIN A MINIMUM OF WIRE MESH REINFORCEMENT.
- IT IS THE RESPONSIBILITY OF THE DEALER AND END USER TO VALIDATE THE MOUNTING STRUCTURE IS SUFFICIENT TO RESIST CRANE LOADINGS. GORBEL ASSUMES NO LIABILITY FOR FAILURES OF EQUIPMENT OR STRUCTURES NOT SUPPLIED BY GORBEL.

DO NOT SCALE FROM THIS DRAWING.

250 LB CAPACITY



6 BOLT
BASE BOLT PATTERN

VIEW A-A
NOT TO SCALE

CONFIDENTIAL

CREATED BY: BOHL CRANE INC

GORBEL

600 FISHERS RUN
P.O. BOX 593
FISHERS, NY 14453-0593

WSJ360-NP6-500-12-12

CAPACITY: 500 LBS

SPAN: 12 FT

H.U.B.: 12 FT

QUANTITY: 1

SHIPPING WT.: 795 LBS

DRAWN:

DATE: 7/24/2023

C.O.#: ANTSMI00006

P/N: ANTSMI00006.0A

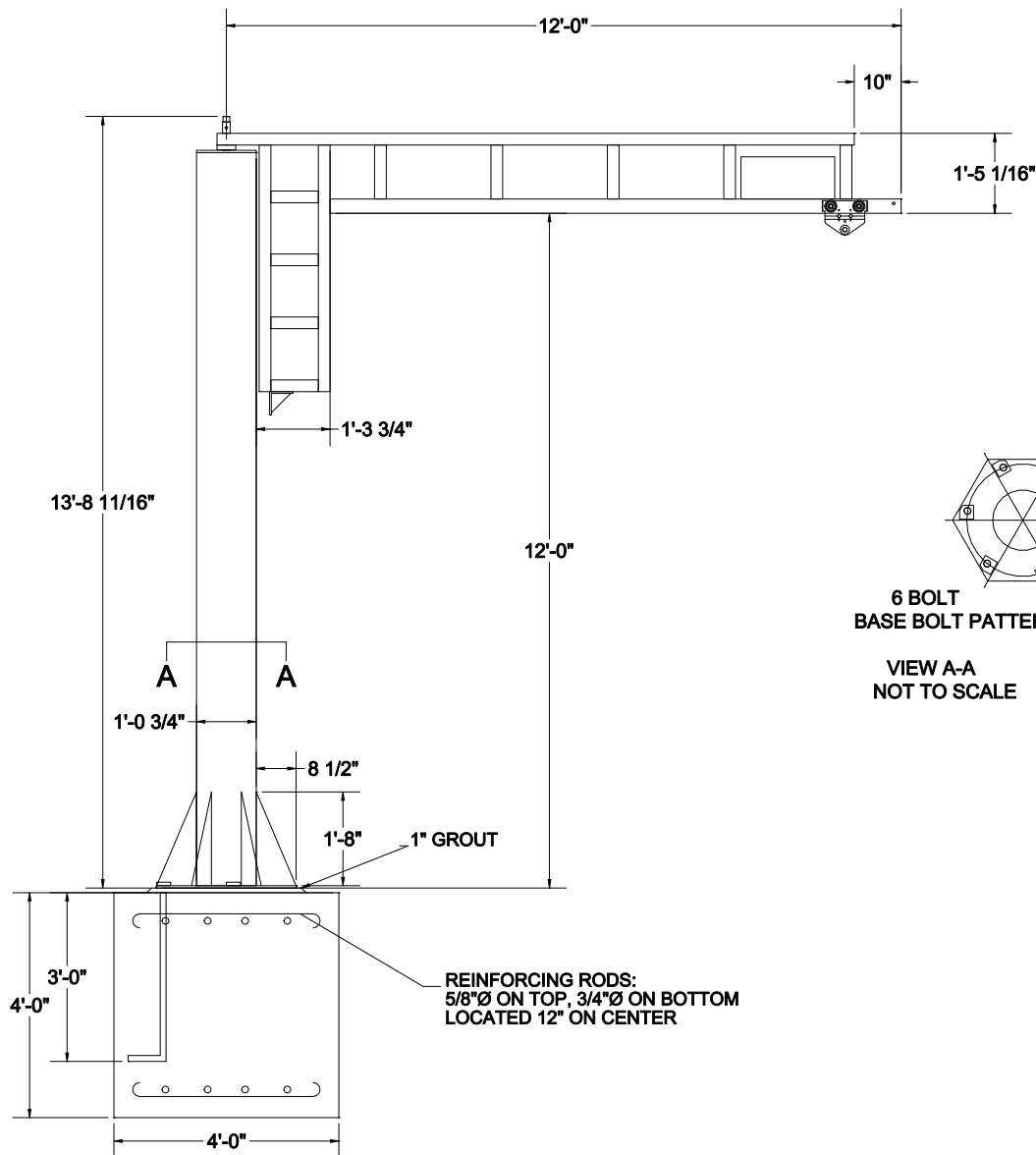
TROLLEY TRAVEL: 9'-2 9/16"

FOUNDATIONLESS REQUIREMENTS:

- CENTERED ON A SQUARE FOOT AREA THAT IS FREE FROM CRACKS, SEAMS, AND WALLS.
- REINFORCED CONCRETE WITH PRESSURE OF 3000 PSI AND SOIL PRESSURE OF 2500 PSF.
- CHEMICAL ANCHOR BOLTS TO WITHSTAND A MINIMUM OF 2,850 LBS. OF PULL OUT FORCE.
- CONCRETE MUST CONTAIN A MINIMUM OF WIRE MESH REINFORCEMENT.
- IT IS THE RESPONSIBILITY OF THE DEALER AND END USER TO VALIDATE THE MOUNTING STRUCTURE IS SUFFICIENT TO RESIST CRANE LOADINGS. GORBEL ASSUMES NO LIABILITY FOR FAILURES OF EQUIPMENT OR STRUCTURES NOT SUPPLIED BY GORBEL.

DO NOT SCALE FROM THIS DRAWING.

500 LB CAPACITY



CONFIDENTIAL

CREATED BY: BOHL CRANE INC

GORBEL

600 FISHERS RUN
P.O. BOX 593
FISHERS, NY 14453-0593

WSJ360-1000-12-12

CAPACITY: 1000 LBS

SPAN: 12 FT

H.U.B.: 12 FT

QUANTITY: 1

SHIPPING WT.: 830 LBS

DRAWN:

DATE: 7/24/2023

C.O.#: ANTSMI00006

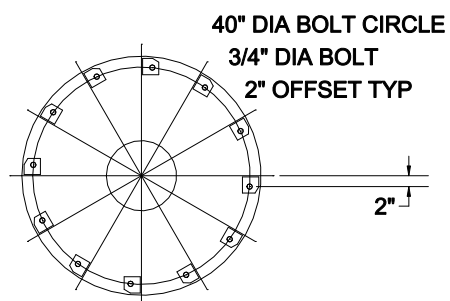
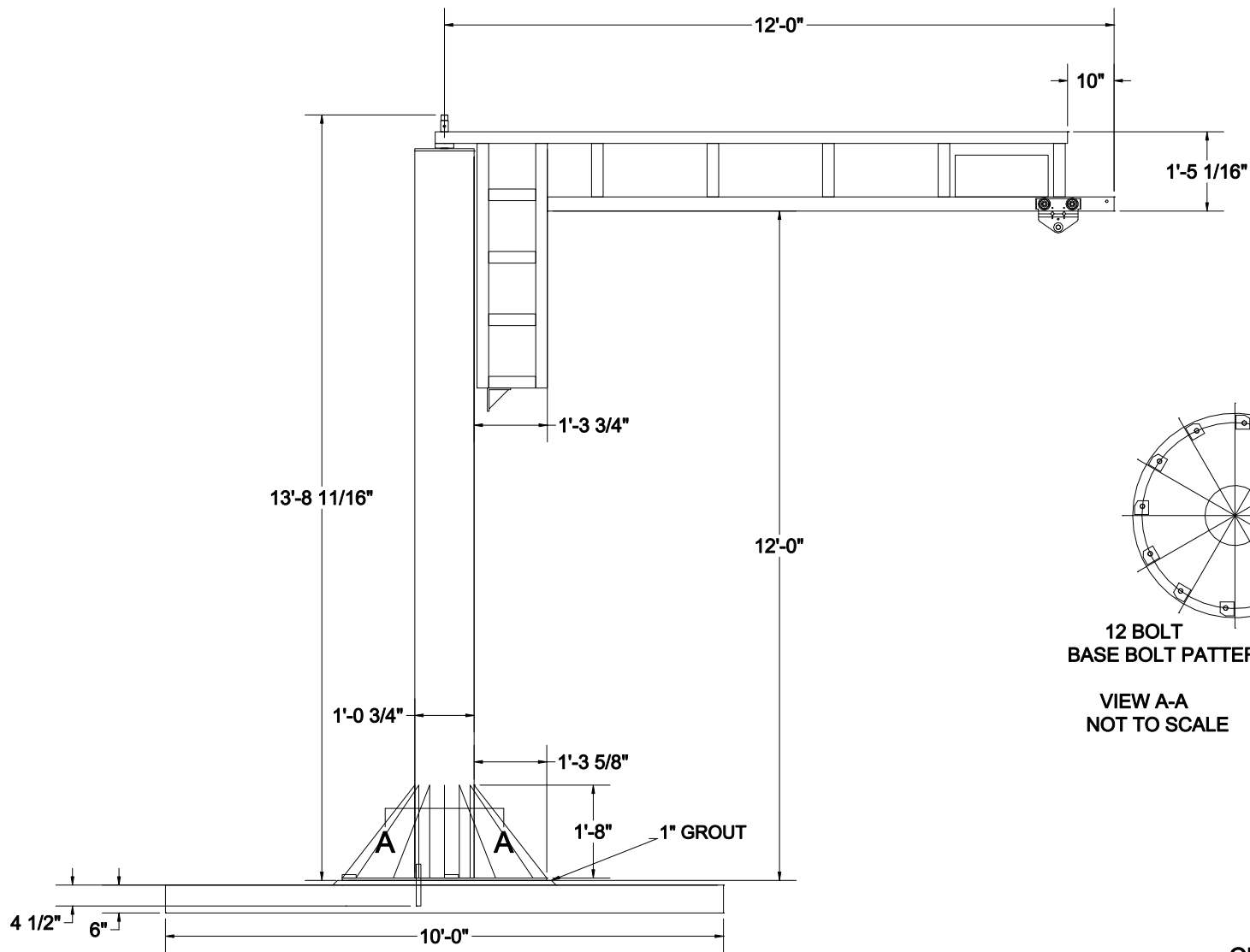
P/N: ANTSMI00006.0A

TROLLEY TRAVEL: 9'-1 3/16"

1) JIB CRANE FOUNDATION REQUIREMENTS ARE BASED ON A SOIL PRESSURE OF 2500 LBS PER SQUARE FOOT. CONCRETE RECOMMENDED FOR JIB CRANE FOUNDATION IS 3000 LBS PER SQUARE INCH OF COMPRESSIVE FORCE.

DO NOT SCALE FROM THIS DRAWING.

1000 LB CAPACITY



40" DIA BOLT CIRCLE
 3/4" DIA BOLT
 2" OFFSET TYP
 12 BOLT
 BASE BOLT PATTERN
 VIEW A-A
 NOT TO SCALE

CONFIDENTIAL

CREATED BY: BOHL CRANE INC

GORBEL

600 FISHERS RUN
 P.O. BOX 593
 FISHERS, NY 14453-0593

WSJ360-NP6-1000-12-12

CAPACITY: 1000 LBS
 SPAN: 12 FT
 H.U.B.: 12 FT
 QUANTITY: 1
 SHIPPING WT.: 1070 LBS

| | |
|--------------------|---------------------|
| DRAWN: | DATE: 7/24/2023 |
| C.O.#: ANTSMI00006 | P/N: ANTSMI00006.0A |

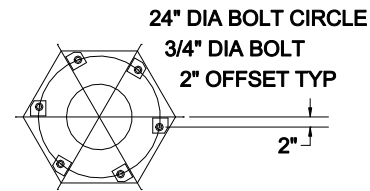
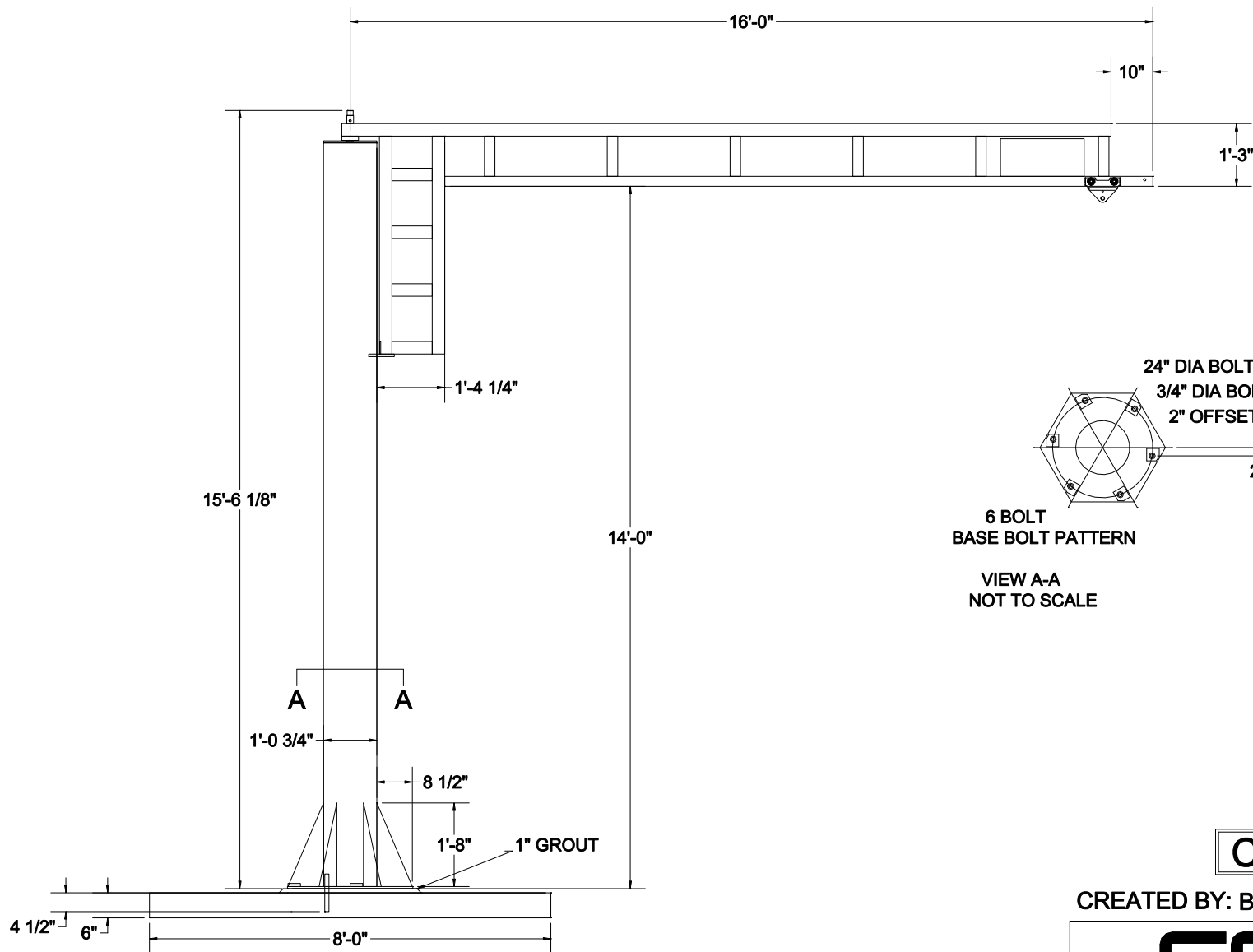
TROLLEY TRAVEL: 9'-1 3/16"

FOUNDATIONLESS REQUIREMENTS:

- CENTERED ON A SQUARE FOOT AREA THAT IS FREE FROM CRACKS, SEAMS, AND WALLS.
- REINFORCED CONCRETE WITH PRESSURE OF 3000 PSI AND SOIL PRESSURE OF 2500 PSF.
- CHEMICAL ANCHOR BOLTS HIT-HY 200 +3/4" HAS-B-105.
- CONCRETE MUST CONTAIN A MINIMUM OF WIRE MESH REINFORCEMENT.
- IT IS THE RESPONSIBILITY OF THE DEALER AND END USER TO VALIDATE THE MOUNTING STRUCTURE IS SUFFICIENT TO RESIST CRANE LOADINGS. GORBEL ASSUMES NO LIABILITY FOR FAILURES OF EQUIPMENT OR STRUCTURES NOT SUPPLIED BY GORBEL.

1000 LB CAPACITY

DO NOT SCALE FROM THIS DRAWING.



6 BOLT
BASE BOLT PATTERN

VIEW A-A
NOT TO SCALE

CONFIDENTIAL

CREATED BY: BOHL CRANE INC

GORBEL

600 FISHERS RUN
P.O. BOX 593
FISHERS, NY 14453-0593

WSJ360-NP6-250-14-16

CAPACITY: 250 LBS

SPAN: 16 FT

H.U.B.: 14 FT

QUANTITY: 1

SHIPPING WT.: 935 LBS

DRAWN:

DATE: 7/24/2023

C.O.#: ANTSMI00006

P/N: ANTSMI00006.0A

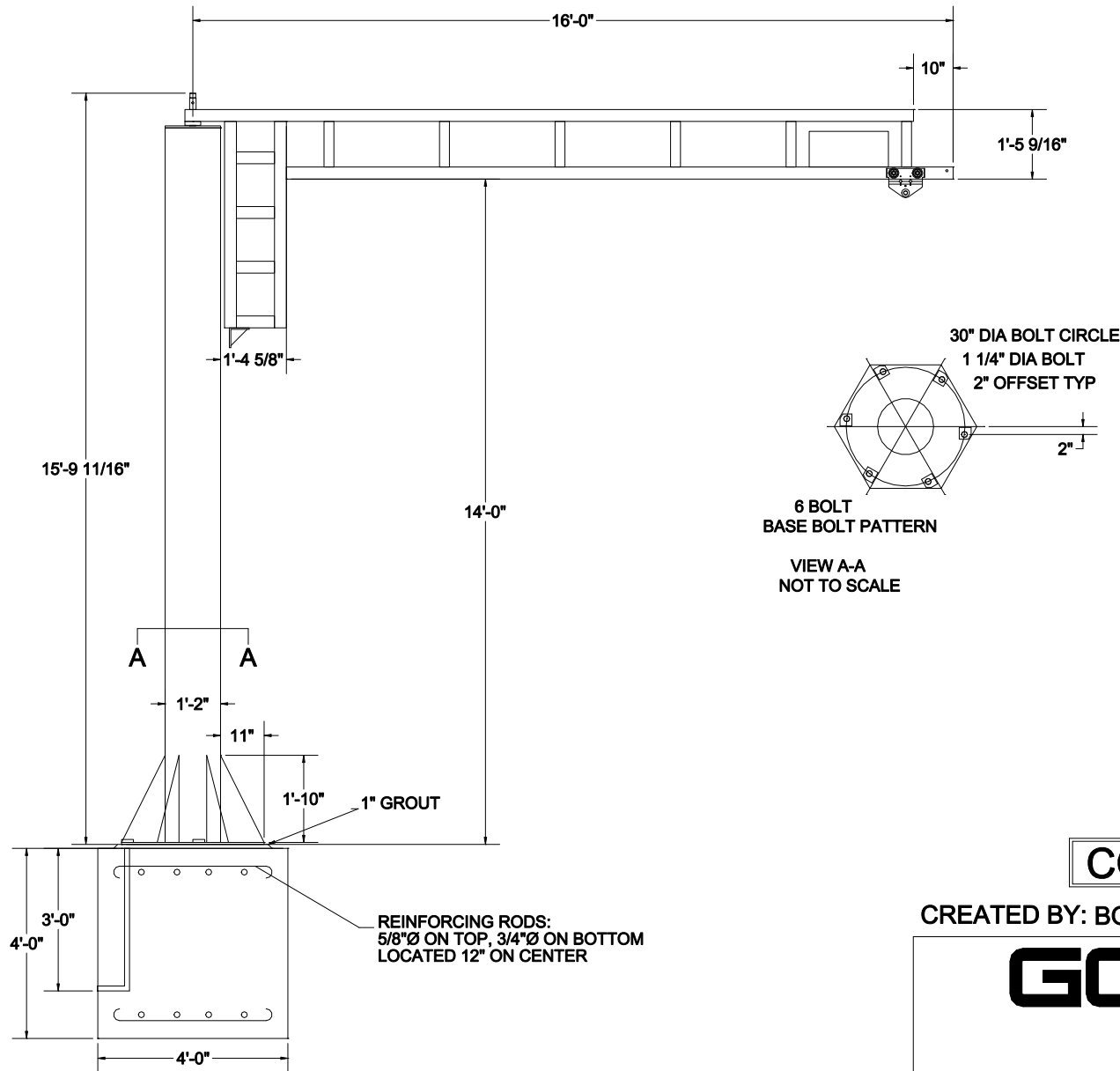
TROLLEY TRAVEL: 13'-2 1/16"

FOUNDATIONLESS REQUIREMENTS:

- CENTERED ON A SQUARE FOOT AREA THAT IS FREE FROM CRACKS, SEAMS, AND WALLS.
- REINFORCED CONCRETE WITH PRESSURE OF 3000 PSI AND SOIL PRESSURE OF 2500 PSF.
- CHEMICAL ANCHOR BOLTS TO WITHSTAND A MINIMUM OF 2,850 LBS. OF PULL OUT FORCE.
- CONCRETE MUST CONTAIN A MINIMUM OF WIRE MESH REINFORCEMENT.
- IT IS THE RESPONSIBILITY OF THE DEALER AND END USER TO VALIDATE THE MOUNTING STRUCTURE IS SUFFICIENT TO RESIST CRANE LOADINGS. GORBEL ASSUMES NO LIABILITY FOR FAILURES OF EQUIPMENT OR STRUCTURES NOT SUPPLIED BY GORBEL.

DO NOT SCALE FROM THIS DRAWING.

250 LB CAPACITY



CONFIDENTIAL

CREATED BY: BOHL CRANE INC

GORBEL

600 FISHERS RUN
P.O. BOX 593
FISHERS, NY 14453-0593

WSJ360-500-14-16

CAPACITY: 500 LBS

SPAN: 16 FT

H.U.B.: 14 FT

QUANTITY: 1

SHIPPING WT.: 1384 LBS

DRAWN:

DATE: 7/24/2023

C.O.#: ANTSMI00006

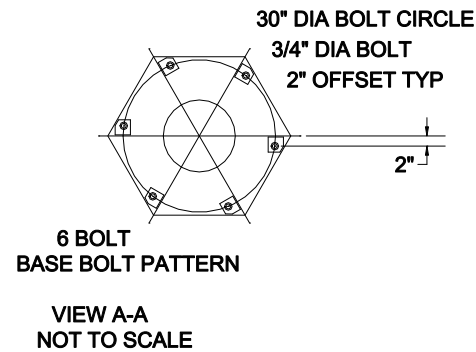
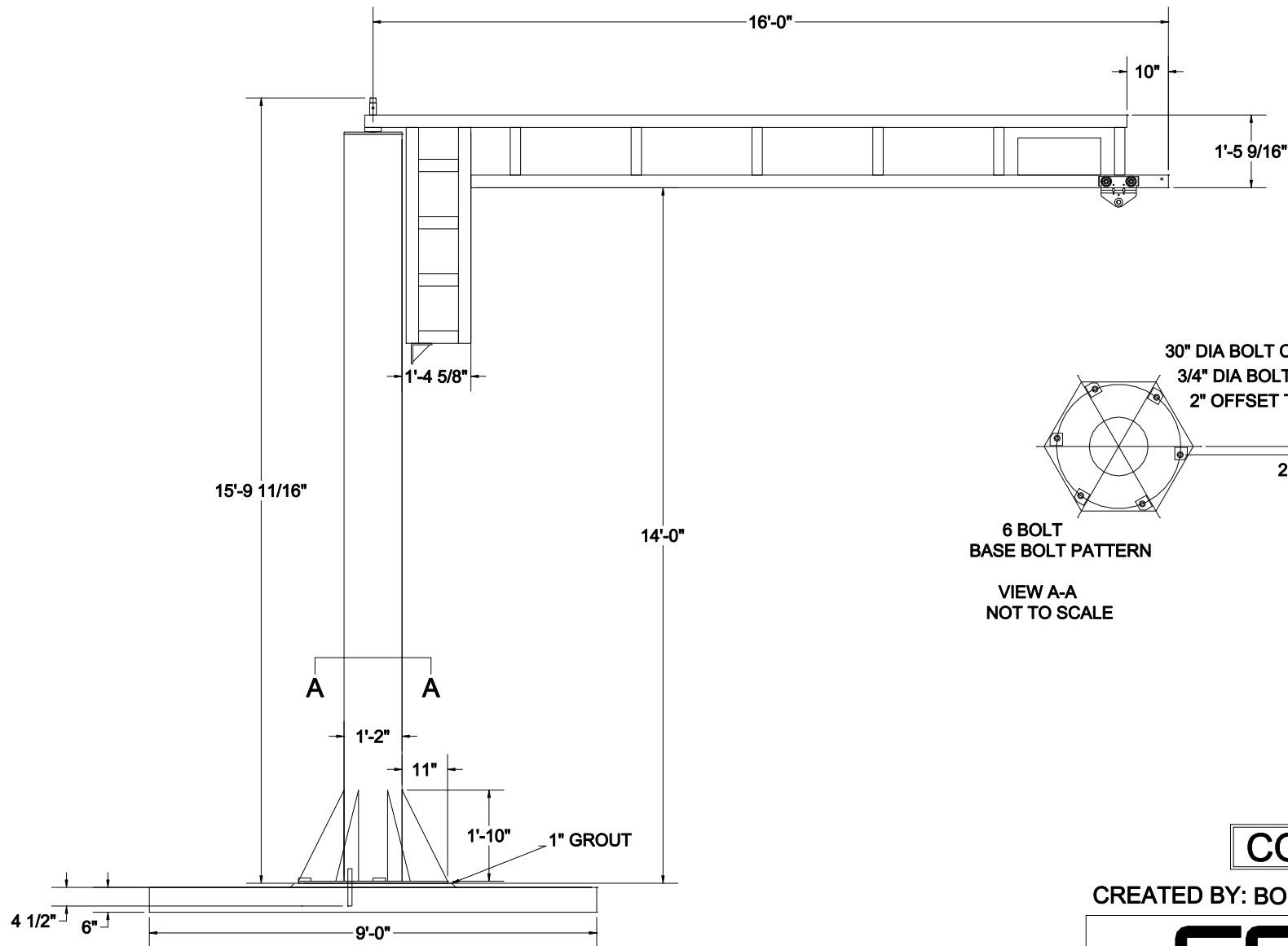
P/N: ANTSMI00006.0A

TROLLEY TRAVEL: 12'-11 11/16"

1) JIB CRANE FOUNDATION REQUIREMENTS ARE BASED ON A SOIL PRESSURE OF 2500 LBS PER SQUARE FOOT. CONCRETE RECOMMENDED FOR JIB CRANE FOUNDATION IS 3000 LBS PER SQUARE INCH OF COMPRESSIVE FORCE.

DO NOT SCALE FROM THIS DRAWING.

500 LB CAPACITY



CONFIDENTIAL

CREATED BY: BOHL CRANE INC

GORBEL

600 FISHERS RUN
P.O. BOX 593
FISHERS, NY 14453-0593

WSJ360-NP6-500-14-16

CAPACITY: 500 LBS

SPAN: 16 FT

H.U.B.: 14 FT

QUANTITY: 1

SHIPPING WT.: 1384 LBS

DRAWN:

DATE: 7/24/2023

C.O.#: ANTSMI00006

P/N: ANTSMI00006.0A

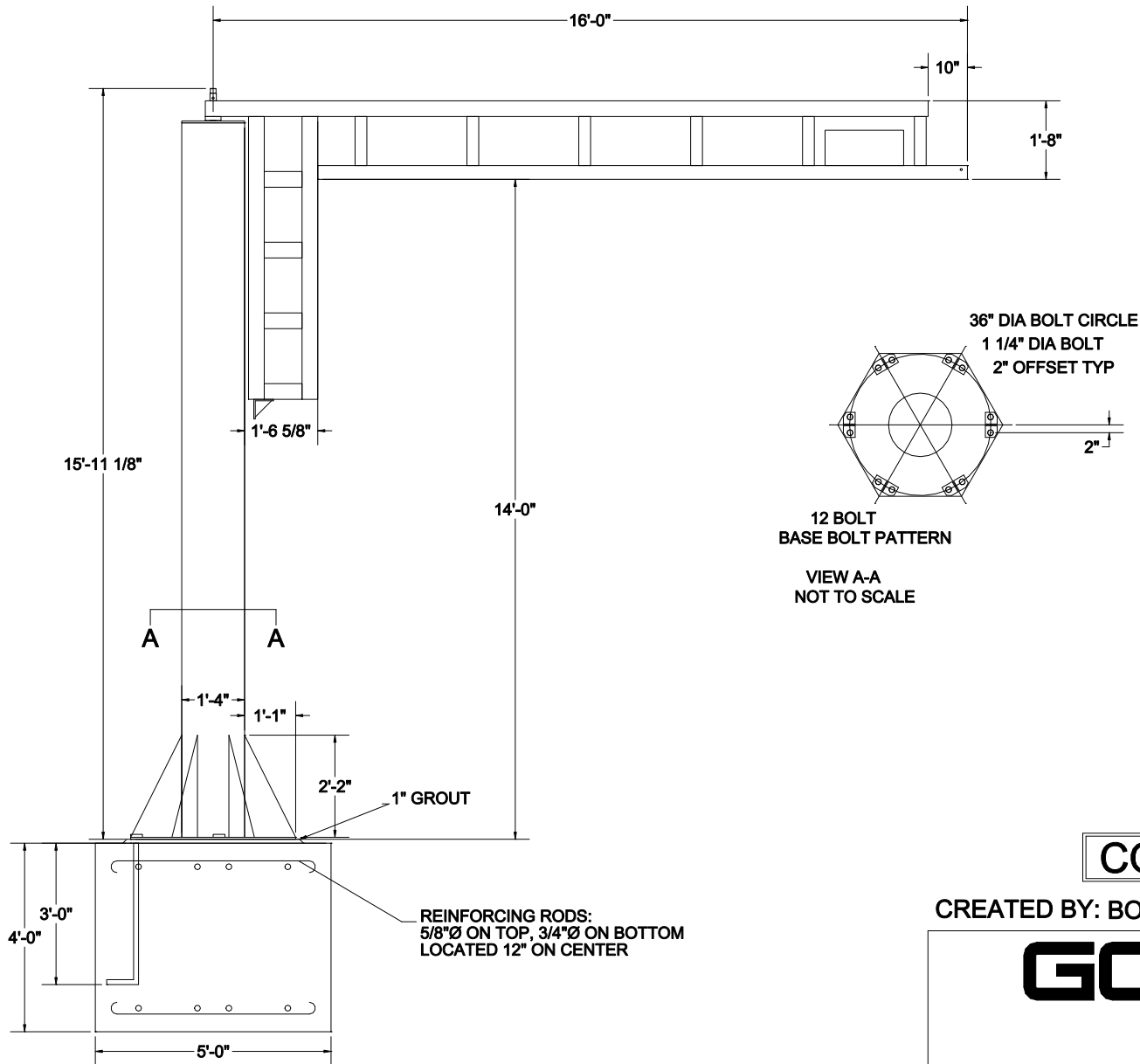
TROLLEY TRAVEL: 12'-11 11/16"

FOUNDATIONLESS REQUIREMENTS:

- CENTERED ON A SQUARE FOOT AREA THAT IS FREE FROM CRACKS, SEAMS, AND WALLS.
- REINFORCED CONCRETE WITH PRESSURE OF 3000 PSI AND SOIL PRESSURE OF 2500 PSF.
- CHEMICAL ANCHOR BOLTS TO WITHSTAND A MINIMUM OF 2,850 LBS. OF PULL OUT FORCE.
- CONCRETE MUST CONTAIN A MINIMUM OF WIRE MESH REINFORCEMENT.
- IT IS THE RESPONSIBILITY OF THE DEALER AND END USER TO VALIDATE THE MOUNTING STRUCTURE IS SUFFICIENT TO RESIST CRANE LOADINGS. GORBEL ASSUMES NO LIABILITY FOR FAILURES OF EQUIPMENT OR STRUCTURES NOT SUPPLIED BY GORBEL.

DO NOT SCALE FROM THIS DRAWING.

500 LB CAPACITY



CONFIDENTIAL

CREATED BY: BOHL CRANE INC

GORBEL

600 FISHERS RUN
P.O. BOX 593
FISHERS, NY 14453-0593

WSJ360-1000-14-16

CAPACITY: 1000 LBS

SPAN: 16 FT

H.U.B.: 14 FT

QUANTITY: 1

SHIPPING WT.: 1752 LBS

DRAWN:

DATE: 7/24/2023

C.O.#: ANTSMI00006

P/N: ANTSMI00006.0A

TROLLEY TRAVEL: 12'-8 5/16"

1) JIB CRANE FOUNDATION REQUIREMENTS ARE BASED ON A SOIL PRESSURE OF 2500 LBS PER SQUARE FOOT. CONCRETE RECOMMENDED FOR JIB CRANE FOUNDATION IS 3000 LBS PER SQUARE INCH OF COMPRESSIVE FORCE.

DO NOT SCALE FROM THIS DRAWING.

1000 LB CAPACITY