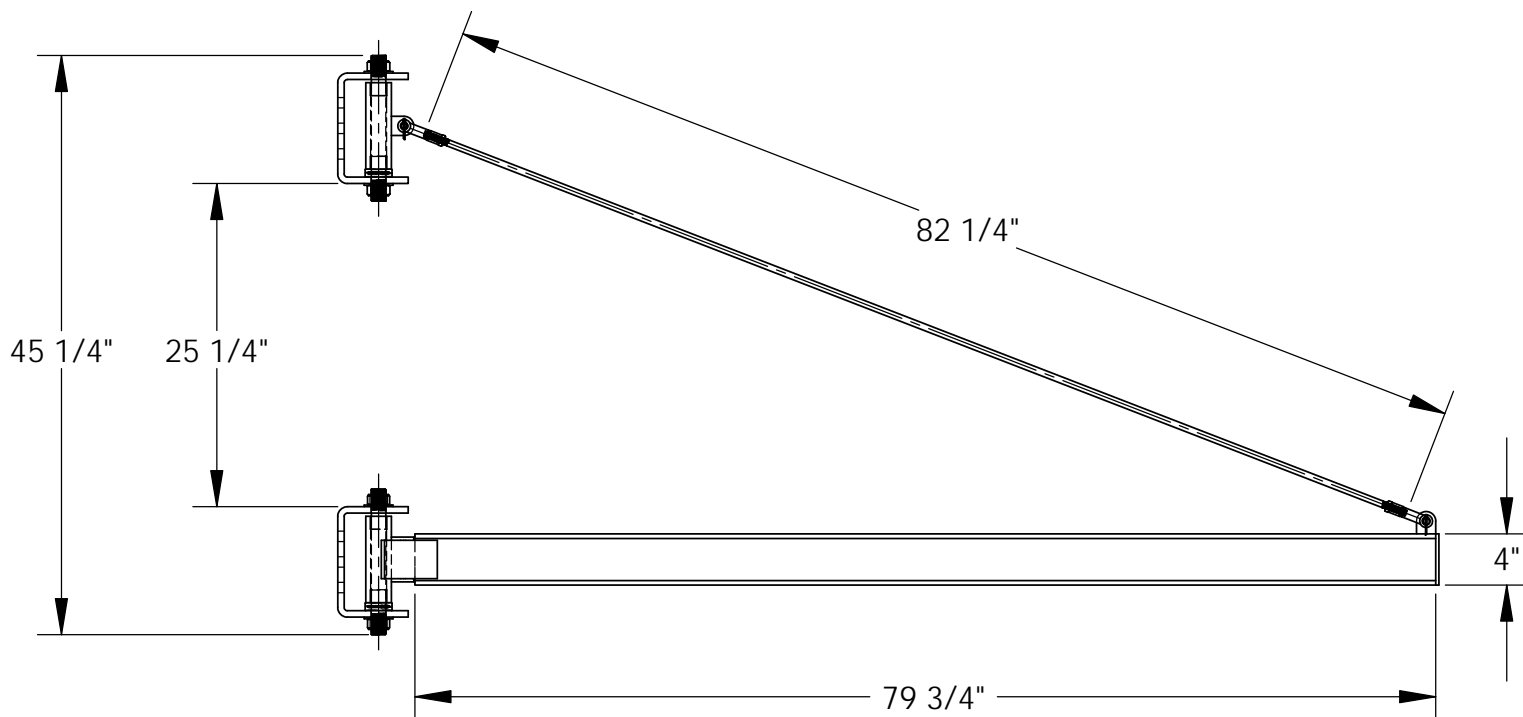
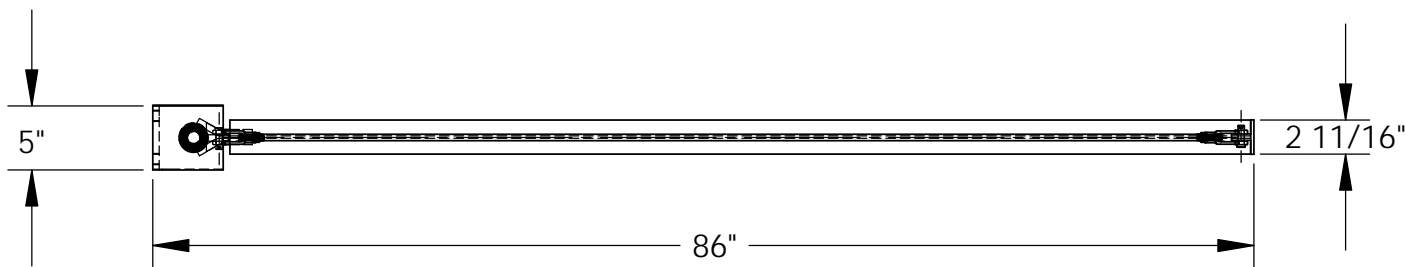


# TIE ROD JIB (HIGH CEILING) - JIB-HC-3

APPROX WEIGHT: 101.99 lbs.  
DOES NOT INCLUDE WEIGHT OF POWER OR PACKAGING!!!

\*\*\*ANY ADDITIONS, DELETIONS, OR OMISSIONS MUST BE CORRECTED ON THIS DRAWING AS THIS DRAWING WILL BE CONSIDERED ALL INCLUSIVE\*\*\*



ALL GRAPHICS PROVIDED ARE FOR REFERENCE ONLY. IF CERTAIN DIMENSIONS ARE CRITICAL PLEASE VERIFY THOSE DIMENSIONS WITH YOUR SALESPERSON

**DIMENSION TOLERANCE ± 1/4"**

## STANDARD FEATURES

- MODEL NUMBER IS JIB-HC-3
- CAPACITY IS 300 LBS.
- OVERALL WIDTH IS 5"
- OVERALL LENGTH IS 86"
- USABLE I-BEAM LENGTH IS 79 3/4"
- OVERALL HEIGHT IS 45 1/4"
- TIE ROD LENGTH IS 82 1/4"
- I-BEAM SIZE:  
4" HEIGHT X 2 11/16" FLANGE WIDTH  
180° I-BEAM ROTATION

## SPECIAL FEATURES

NONE

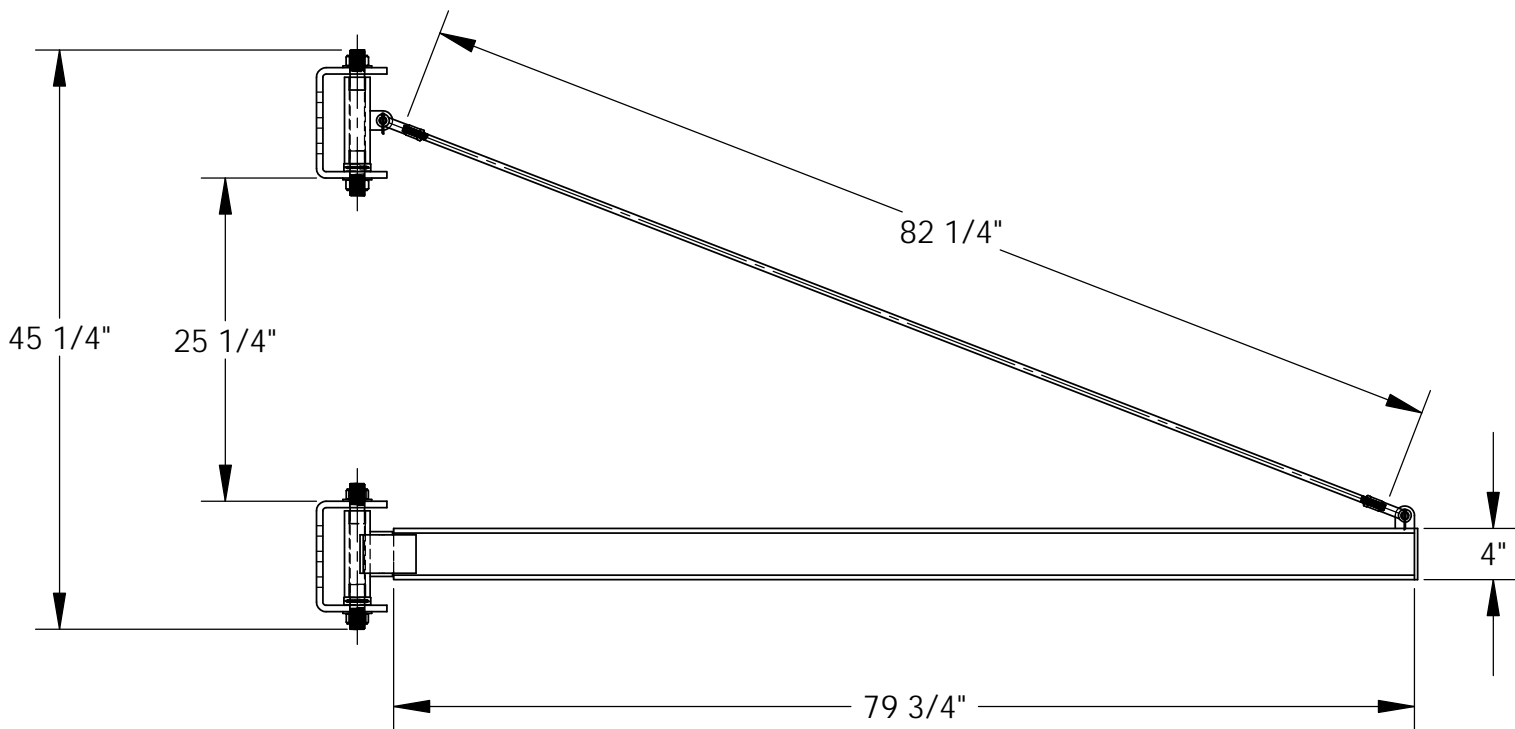
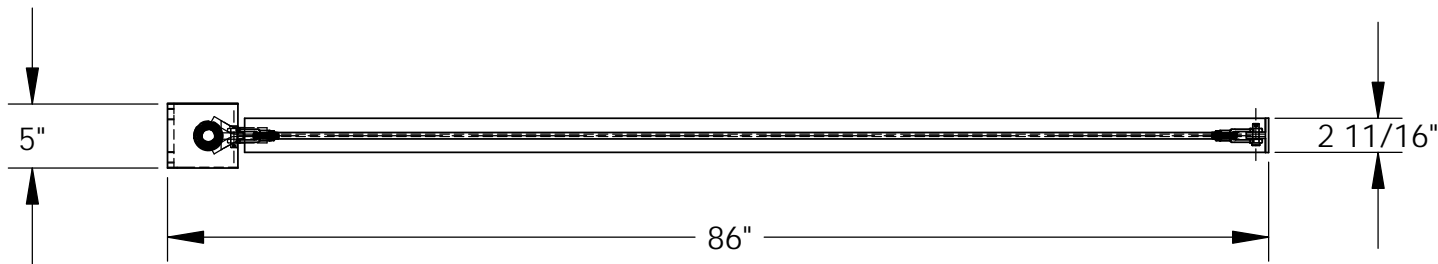
A P P R O V A L	I, THE UNDERSIGNED, AGREE THAT THE PRODUCT AS REPRESENTED SATISFIES DESIGN AND DIMENSION REQUIREMENTS. I ALSO ACKNOWLEDGE MY DUTY TO CONFIRM PRODUCT AND INSTALLATION COMPLIANCE WITH ALL APPLICABLE FEDERAL, STATE AND LOCAL REGULATIONS AND STANDARDS.	
	<b>ANY MODIFIED UNITS ARE NON-RETURNABLE</b>	
	[ ] As drawn      [ ] As marked	
	Signed: _____ Date: _____	
Printed Name: _____		
<i>LEAD TIME WILL START UPON RECEIPT OF SIGNED APPROVAL DRAWING</i>		

FOR INTERNAL USE ONLY PROJECT SIGN OFF		DISTRIBUTOR'S NAME:		P.O.#
		VESTIL MANUFACTURING		X
SALES		DRAWN BY: ND	DATE: 12/13/11	W.O.#
ENG.		REFERENCE: X	SCALE: 1:15	X
FAB.		QUOTED LEAD TIME: X	QUOTE #	FILE NAME:
POWER			X	28-007-025

# TIE ROD JIB (HIGH CEILING) - JIB-HC-6

APPROX WEIGHT: 101.99 lbs.  
 DOES NOT INCLUDE WEIGHT OF POWER OR PACKAGING!!!

\*\*\*ANY ADDITIONS, DELETIONS, OR OMISSIONS MUST BE CORRECTED ON THIS DRAWING AS THIS DRAWING WILL BE CONSIDERED ALL INCLUSIVE\*\*\*



ALL GRAPHICS PROVIDED ARE FOR REFERENCE ONLY. IF CERTAIN DIMENSIONS ARE CRITICAL PLEASE VERIFY THOSE DIMENSIONS WITH YOUR SALESPERSON

**DIMENSION TOLERANCE ± 1/4"**

## STANDARD FEATURES

- MODEL NUMBER IS JIB-HC-6
- CAPACITY IS 600 LBS.
- OVERALL WIDTH IS 5"
- OVERALL LENGTH IS 86"
- USABLE I-BEAM LENGTH IS 79 3/4"
- OVERALL HEIGHT IS 45 1/4"
- TIE ROD LENGTH IS 82 1/4"
- I-BEAM SIZE:  
 4" HEIGHT X 2 11/16" FLANGE WIDTH  
 180° I-BEAM ROTATION

## SPECIAL FEATURES

NONE

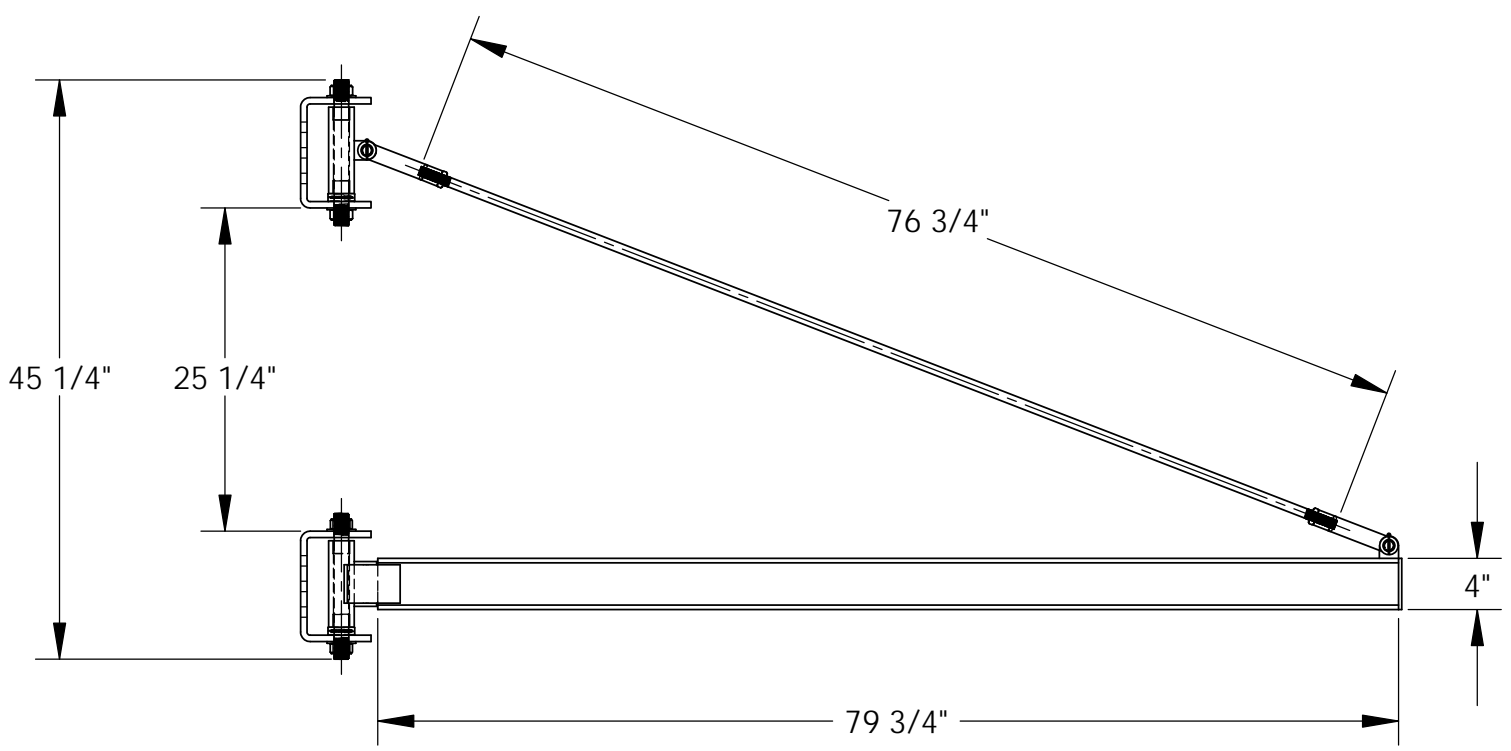
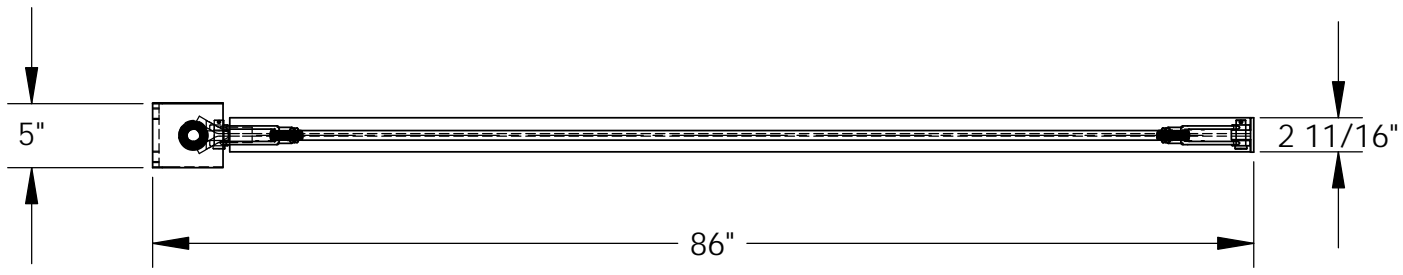
<b>A P P R O V A L</b>	I, THE UNDERSIGNED, AGREE THAT THE PRODUCT AS REPRESENTED SATISFIES DESIGN AND DIMENSION REQUIREMENTS. I ALSO ACKNOWLEDGE MY DUTY TO CONFIRM PRODUCT AND INSTALLATION COMPLIANCE WITH ALL APPLICABLE FEDERAL, STATE AND LOCAL REGULATIONS AND STANDARDS.	
	<b>ANY MODIFIED UNITS ARE NON-RETURNABLE</b>	
	[ ] As drawn      [ ] As marked	
	Signed: _____ Date: _____	
Printed Name: _____		
<i>LEAD TIME WILL START UPON RECEIPT OF SIGNED APPROVAL DRAWING</i>		

FOR INTERNAL USE ONLY PROJECT SIGN OFF		DISTRIBUTOR'S NAME: <b>VESTIL MANUFACTURING</b>		P.O.# X
SALES		DRAWN BY: ND      DATE: 12/13/11		W.O.# X
ENG.				SALES: X
FAB.		REFERENCE: X	SCALE: 1:15	FILE NAME: 28-007-025-001
POWER		QUOTED LEAD TIME: X	QUOTE # X	

# TIE ROD JIB (HIGH CEILING) - JIB-HC-10

APPROX WEIGHT: 109.72 lbs.  
 DOES NOT INCLUDE WEIGHT OF POWER OR PACKAGING!!!

\*\*\*ANY ADDITIONS, DELETIONS, OR OMISSIONS MUST BE CORRECTED ON THIS DRAWING AS THIS DRAWING WILL BE CONSIDERED ALL INCLUSIVE\*\*\*



ALL GRAPHICS PROVIDED ARE FOR REFERENCE ONLY. IF CERTAIN DIMENSIONS ARE CRITICAL PLEASE VERIFY THOSE DIMENSIONS WITH YOUR SALESPERSON

DIMENSION TOLERANCE ± 1/4"

## STANDARD FEATURES

- MODEL NUMBER IS JIB-HC-10
- CAPACITY IS 1,000 LBS.
- OVERALL WIDTH IS 5"
- OVERALL LENGTH IS 86"
- USABLE I-BEAM LENGTH IS 79 3/4"
- OVERALL HEIGHT IS 45 1/4"
- TIE ROD LENGTH IS 76 3/4"
- I-BEAM SIZE:  
 4" HEIGHT X 2 11/16" FLANGE WIDTH  
 180° I-BEAM ROTATION

## SPECIAL FEATURES

NONE

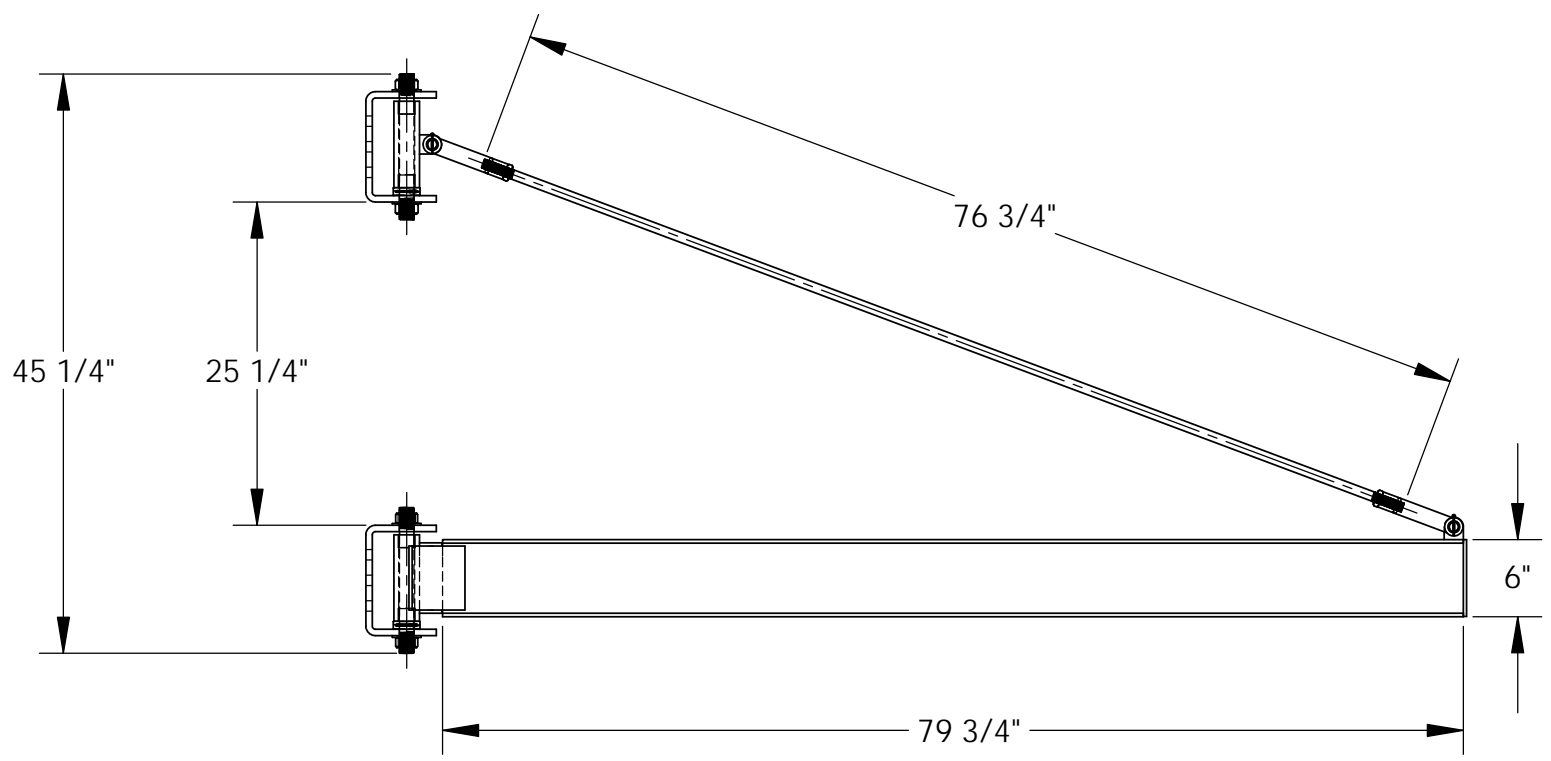
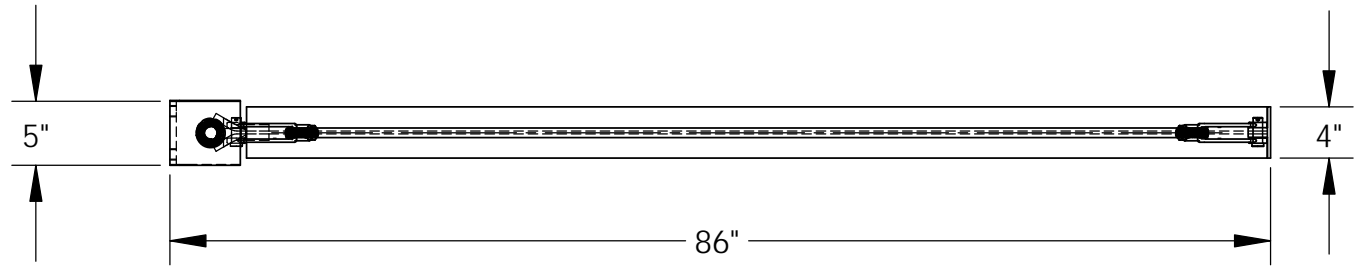
<b>A P P R O V A L</b>	I, THE UNDERSIGNED, AGREE THAT THE PRODUCT AS REPRESENTED SATISFIES DESIGN AND DIMENSION REQUIREMENTS. I ALSO ACKNOWLEDGE MY DUTY TO CONFIRM PRODUCT AND INSTALLATION COMPLIANCE WITH ALL APPLICABLE FEDERAL, STATE AND LOCAL REGULATIONS AND STANDARDS.	
	<b>ANY MODIFIED UNITS ARE NON-RETURNABLE</b>	
	[ ] As drawn      [ ] As marked	
	Signed: _____ Date: _____	
Printed Name: _____		
<i>LEAD TIME WILL START UPON RECEIPT OF SIGNED APPROVAL DRAWING</i>		

FOR INTERNAL USE ONLY PROJECT SIGN OFF		DISTRIBUTOR'S NAME: <b>VESTIL MANUFACTURING</b>		P.O.# X
SALES		DRAWN BY: ND		W.O.# X
ENG.		DATE: 12/18/01		SALES: X
FAB.		REFERENCE: X	SCALE: 1:15	FILE NAME:
POWER		QUOTED LEAD TIME: X		28-007-275
		QUOTE # X		

# TIE ROD JIB (HIGH CEILING) - JIB-HC-20

APPROX WEIGHT: 142.58 lbs.  
 DOES NOT INCLUDE WEIGHT OF POWER OR PACKAGING!!!

\*\*\*ANY ADDITIONS, DELETIONS, OR OMISSIONS MUST BE CORRECTED ON THIS DRAWING AS THIS DRAWING WILL BE CONSIDERED ALL INCLUSIVE\*\*\*



ALL GRAPHICS PROVIDED ARE FOR REFERENCE ONLY. IF CERTAIN DIMENSIONS ARE CRITICAL PLEASE VERIFY THOSE DIMENSIONS WITH YOUR SALESPERSON

DIMENSION TOLERANCE ± 1/4"

## STANDARD FEATURES

- MODEL NUMBER IS JIB-HC-20
- CAPACITY IS 2000 LBS.
- OVERALL WIDTH IS 5"
- OVERALL LENGTH IS 86"
- USABLE I-BEAM LENGTH IS 79 3/4"
- OVERALL HEIGHT IS 45 1/4"
- TIE ROD LENGTH IS 76 3/4"
- I-BEAM SIZE: 6" HEIGHT X 4" FLANGE WIDTH
- 180° I-BEAM ROTATION

## SPECIAL FEATURES

NONE

<b>APPROVAL</b>	I, THE UNDERSIGNED, AGREE THAT THE PRODUCT AS REPRESENTED SATISFIES DESIGN AND DIMENSION REQUIREMENTS. I ALSO ACKNOWLEDGE MY DUTY TO CONFIRM PRODUCT AND INSTALLATION COMPLIANCE WITH ALL APPLICABLE FEDERAL, STATE AND LOCAL REGULATIONS AND STANDARDS.	
	<b>ANY MODIFIED UNITS ARE NON-RETURNABLE</b>	
	[ ] As drawn [ ] As marked	
	Signed: _____ Date: _____	
Printed Name: _____		
LEAD TIME WILL START UPON RECEIPT OF SIGNED APPROVAL DRAWING		

<b>FOR INTERNAL USE ONLY PROJECT SIGN OFF</b>		DISTRIBUTOR'S NAME:		P.O.#	
		<b>VESTIL MANUFACTURING</b>		X	
SALES		DRAWN BY: ND		DATE: 12/13/11	W.O.#
ENG.		REFERENCE: X		SCALE: 1:15	X
FAB.		QUOTED LEAD TIME: X		QUOTE #	FILE NAME:
POWER				X	28-007-035