

4 BOLT
BASE BOLT PATTERN
1/2" BASEPLATE THICKNESS AT ANCHOR BOLT
VIEW A-A
NOT TO SCALE

CONFIDENTIAL

CREATED BY: BOHL CRANE INC

GORBEL

600 FISHERS RUN
P.O. BOX 593
FISHERS, NY 14453-0593

TSJ50-FS-50-10-10

CAPACITY: 50 LBS
SPAN: 10 FT
H.U.B.: 10 FT
QUANTITY: 1
SHIPPING WT.: 276 LBS

DRAWN: GORBEL

DATE: 7/21/2023

C.O.#: ANTSMI00006

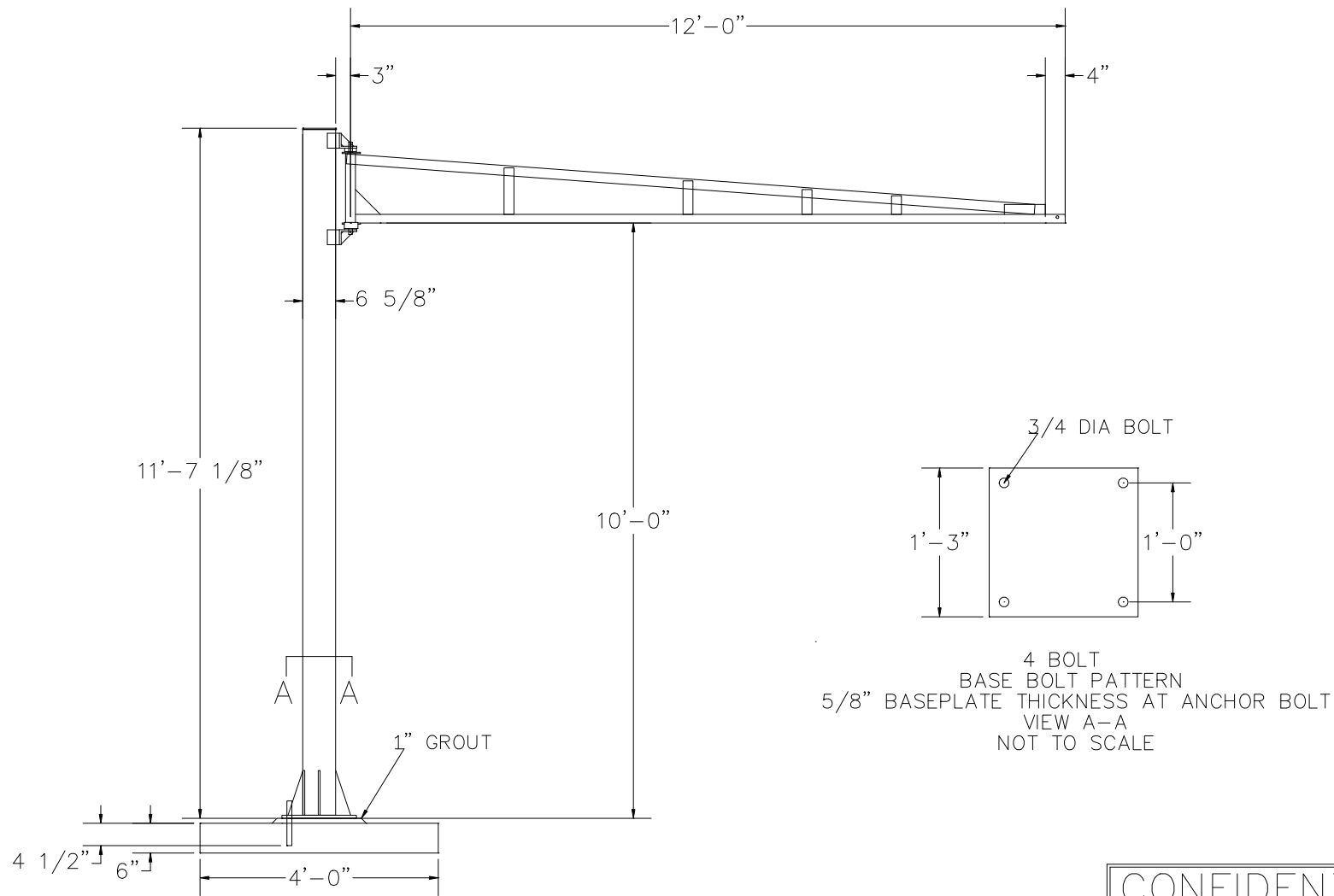
P/N: ANTSMI00006.0A

50 LB CAPACITY

- 1) JIB CRANE FOUNDATION REQUIREMENTS ARE BASED ON A SOIL PRESSURE OF 2500 LBS PER SQUARE FOOT. CONCRETE RECOMMENDED FOR JIB CRANE FOUNDATION IS 3000 LBS PER SQUARE INCH OF COMPRESSIVE FORCE.
- 2) DO NOT SCALE FROM THIS DRAWING.

FOUNDATIONLESS NOTES:

- CENTERED ON A SQUARE AREA THAT IS FREE FROM CRACKS, SEAMS, AND WALLS.
- REINFORCED CONCRETE WITH PRESSURE OF 3000 PSI AND SOIL PRESSURE OF 2500 PSF.
- CHEMICAL ANCHOR BOLTS TO WITHSTAND A MINIMUM OF 853.92 LBS. OF PULL OUT FORCE.
- CONCRETE MUST CONTAIN WIRE MESH REINFORCEMENT.



CONFIDENTIAL

CREATED BY: BOHL CRANE INC

GORBEL

600 FISHERS RUN
P.O. BOX 593
FISHERS, NY 14453-0593

TSJ150-FS-150-10-12

CAPACITY: 150 LBS
SPAN: 12 FT
H.U.B.: 10 FT
QUANTITY: 1
SHIPPING WT.: 487 LBS

DRAWN: GORBEL

DATE: 7/21/2023

C.O.#: ANTSMI00006

P/N: ANTSMI00006.0A

150 LB CAPACITY

- 1) JIB CRANE FOUNDATION REQUIREMENTS ARE BASED ON A SOIL PRESSURE OF 2500 LBS PER SQUARE FOOT. CONCRETE RECOMMENDED FOR JIB CRANE FOUNDATION IS 3000 LBS PER SQUARE INCH OF COMPRESSIVE FORCE.
- 2) DO NOT SCALE FROM THIS DRAWING.

FOUNDATIONLESS NOTES:

- CENTERED ON A SQUARE AREA THAT IS FREE FROM CRACKS, SEAMS, AND WALLS.
- REINFORCED CONCRETE WITH PRESSURE OF 3000 PSI AND SOIL PRESSURE OF 2500 PSF.
- CHEMICAL ANCHOR BOLTS TO WITHSTAND A MINIMUM OF 1443.49 LBS. OF PULL OUT FORCE.
- CONCRETE MUST CONTAIN WIRE MESH REINFORCEMENT.