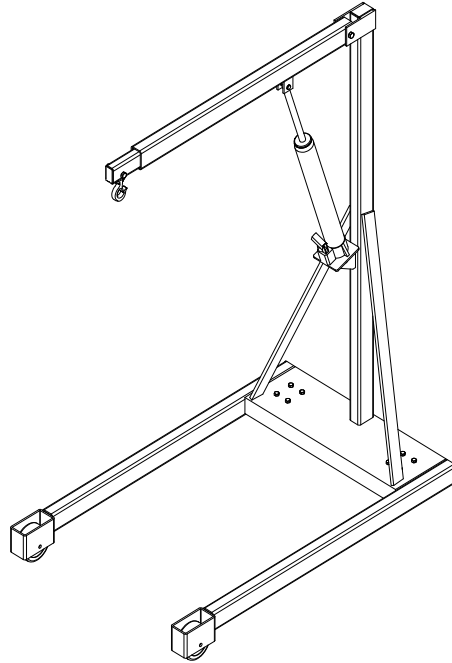


RUGER MODEL: RC1000



Engineered Handling Solutions Since 1869



RC1000

Standard Features:

- 1,000 lbs maximum rated capacity
- Straddle leg design eliminates the need for counterweights
- Meets Ruger's structural engineering standards for 150% rated lifting capacity
- Meets ASME PALD standards for shop cranes, conforms to ANSI Z535 standards
- Self contained manual hydraulic pump
- Needle release valve permits pin-point load control
- Manual adjustable telescopic boom
- Phenolic resin wheels
- Swivel hook with safety latch
- Steel construction and standard Ruger blue paint

Optional Accessories:

- Bolt on floor lock kit
- Steel wheels
- Polyurethane wheels
- Swivel mast & boom – Limited swing angle
- Custom engineered manual winch rated for lifting

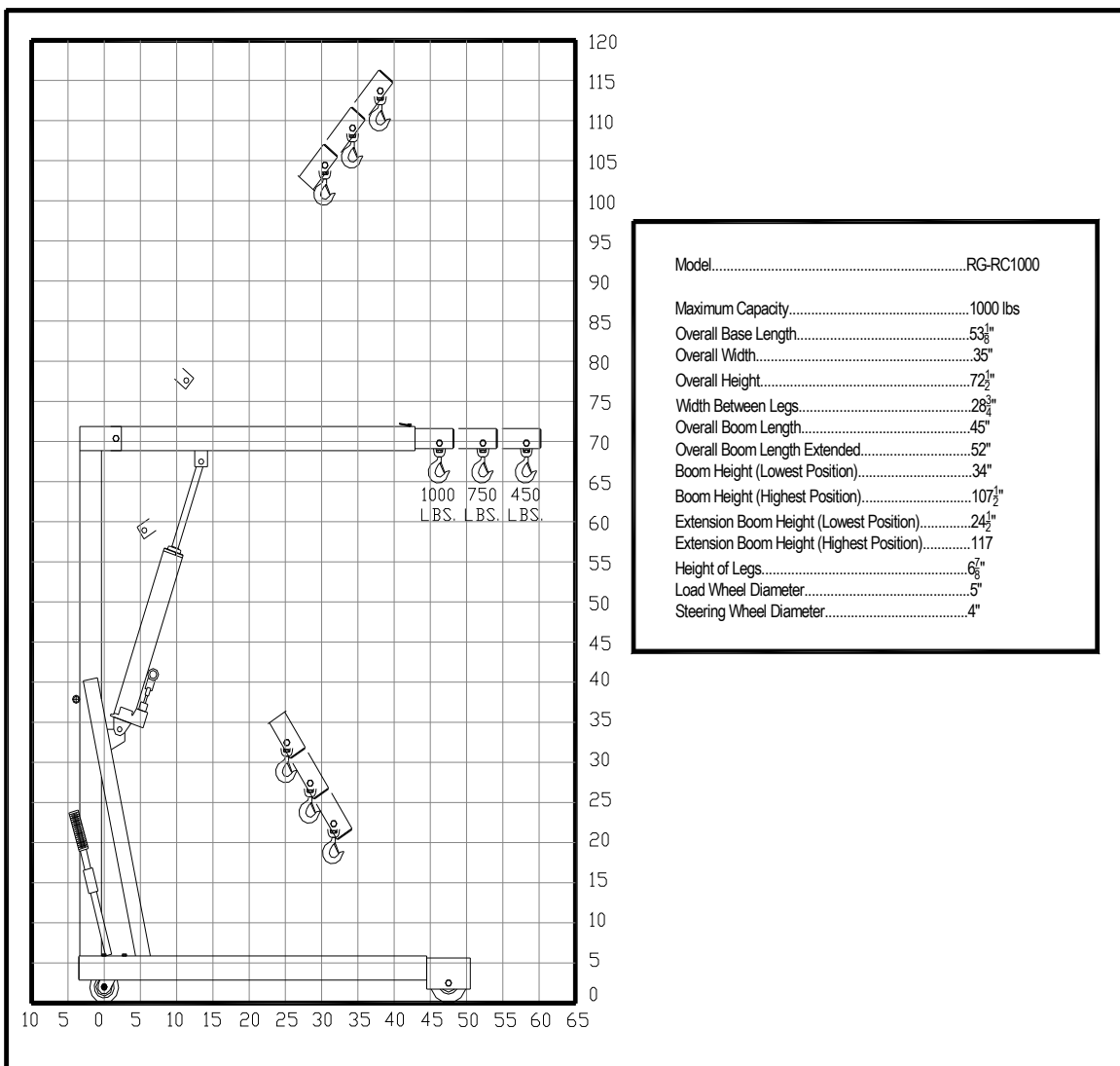
The David Round Company, Inc. - Ruger Division - 10200 Wellman Rd - Streetsboro, OH 44241
Phone: 330-656-1600 - Fax: 330-656-1601 - info@davidround.com - www.rugerindustries.com

Prices, specifications, and options are subject to change without notice. All Ruger products are shipped F.O.B. Streetsboro, OH 44241

RUGER MODEL: RC1000



Designers & Manufacturers of Hydraulic Load Lifting and Material Handling Equipment



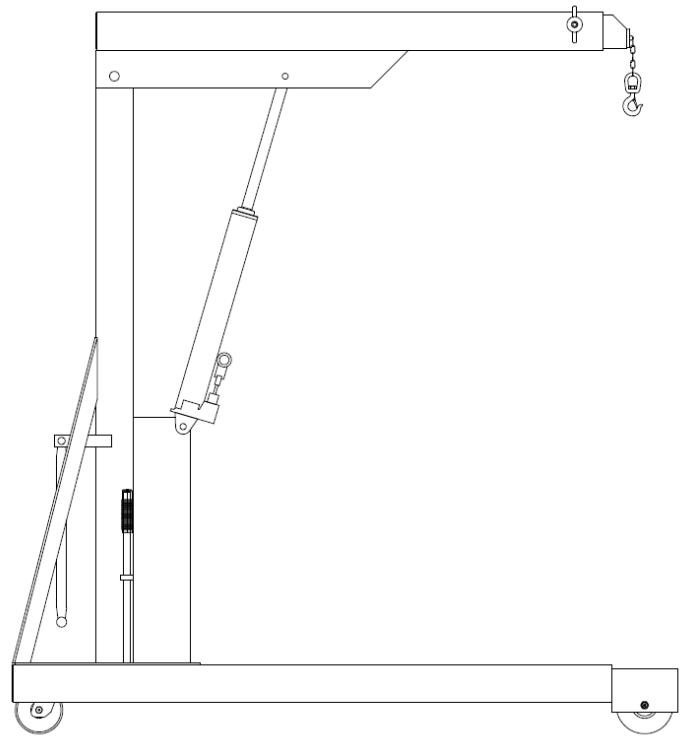
The David Round Company, Inc. - Ruger Division - 10200 Wellman Rd - Streetsboro, OH 44241
 Phone: 330-656-1600 - Fax: 330-656-1601 - info@davidround.com - www.rugerindustries.com

Prices, specifications, and options are subject to change without notice. All Ruger products are shipped F.O.B. Streetsboro, OH 44241



David Round & Son, Inc.
Ruger Division
10200 Wellman Rd
Streetsboro, OH 44241
Phone: 330-656-1600
Fax: 330-656-1601
info@davidround.com
www.rugerindustries.com

Ruger® RC2000



RC2000

- 2000 lb. Capacity
- Self Contained Hydraulic Jack
- Telescopic boom for longer reach

OPTIONAL ACCESSORIES

- Floor Lock - Direct Bolt-On
- Polyurethane Wheels - Direct Bolt-On
- Steel Wheels - Direct Bolt-On

Meets ASME PALD standards
for shop cranes.
Conforms to ANSI Z535 standards.

Standard Features

- Meets Ruger's structural engineering standards for 150% of rated lifting capacity
- Straddle leg designed units are built to exceed 150% stability factor
- Self contained hydraulic system with single action hydraulic jack
- Needle type release valve permits pin-point control over lowering and holding of the heaviest or lightest loads
- Adjustable built-in telescopic boom
- Phenolic wheels with sleeve bearings
- Swivel hook with safety latch
- Steel construction & standard Ruger blue paint

Prices, specifications, and options are subject to change without notice. All Ruger products are shipped F.O.B. Streetsboro, OH 44241

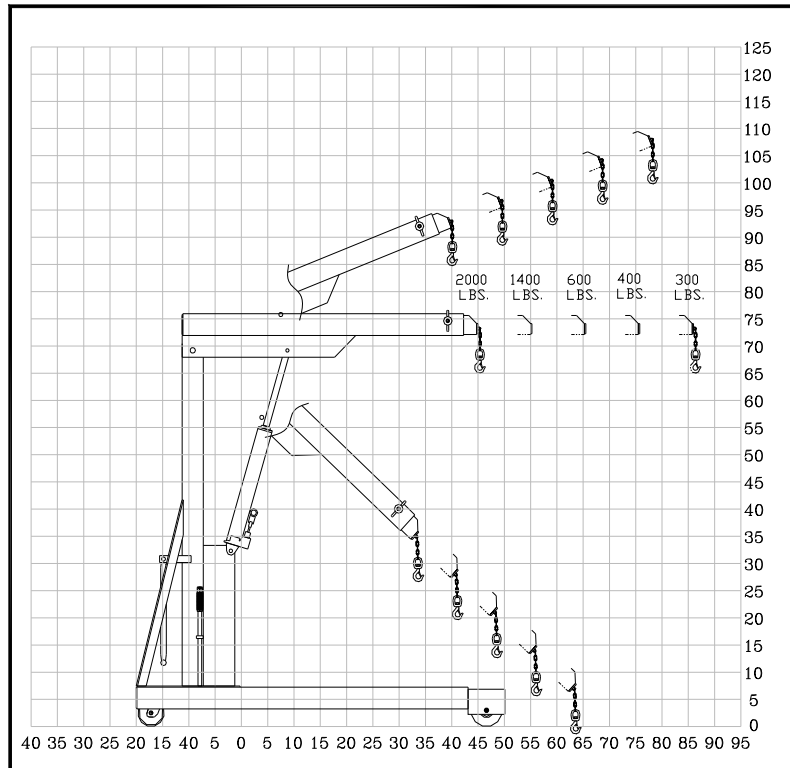
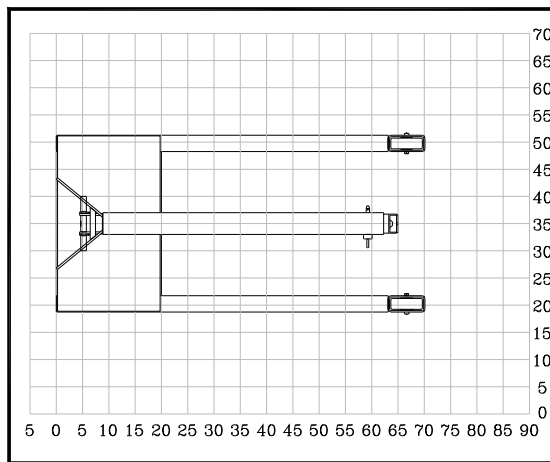


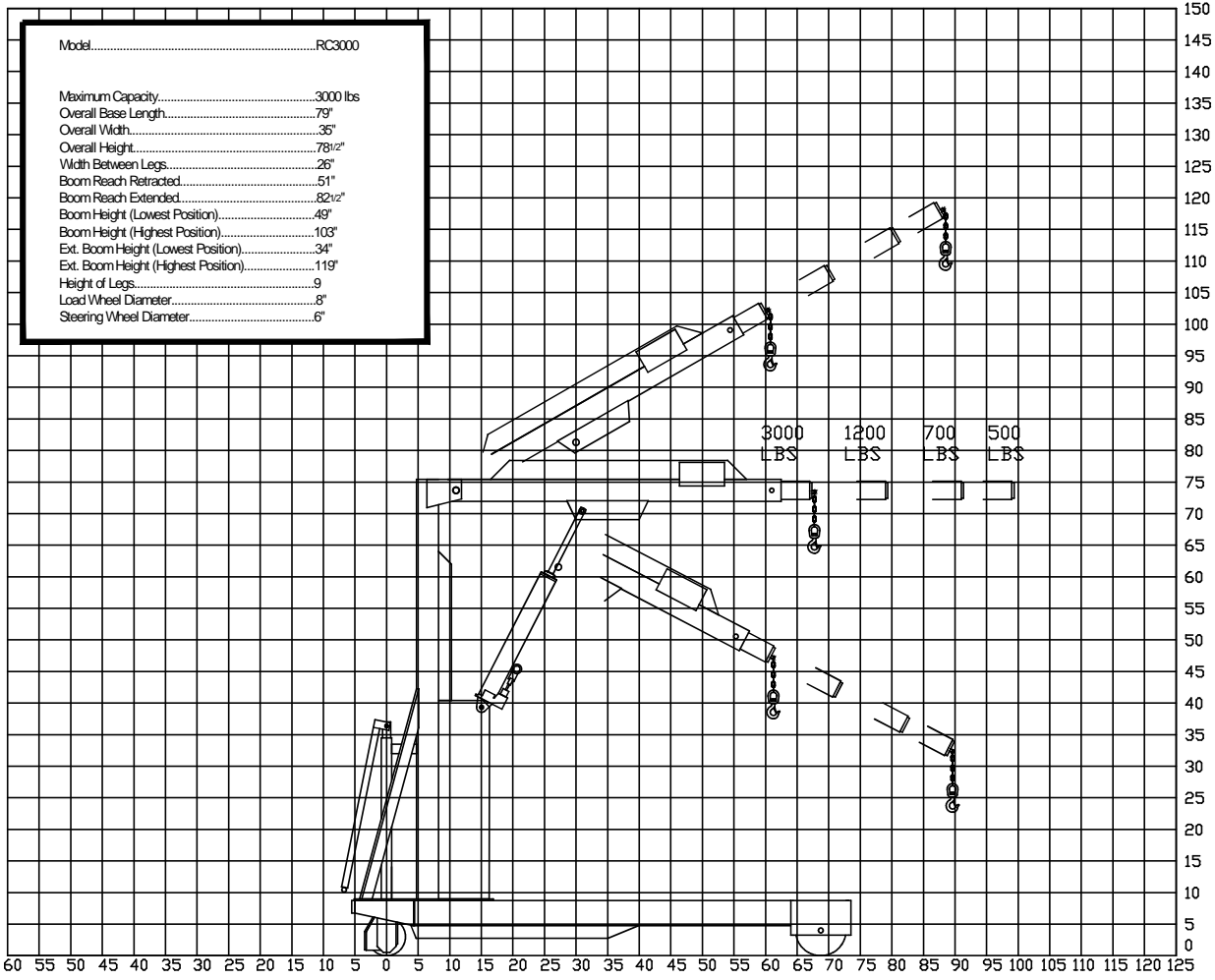
David Round & Son, Inc.
 Ruger Division
 10200 Wellman Rd
 Streetsboro, OH 44241
 Phone: 330-656-1600
 Fax: 330-656-1601
 info@davidround.com
 www.rugerindustries.com

MODEL: RC2000

Load Capacity 2000 lbs

Model.....	RC2000
Maximum Capacity.....	2000 lbs
Overall Base Length.....	70"
Overall Width.....	33½"
Overall Height.....	76"
Width Between Legs.....	25½"
Boom Reach Retracted.....	45½"
Boom Reach Extended.....	86½"
Boom Height (Lowest Position).....	35"
Boom Height (Highest Position).....	92"
Ext. Boom Height (Lowest Position).....	7"
Ext. Boom Height (Highest Position).....	106"
Height of Legs.....	7¼"
Load Wheel Diameter.....	6"
Steering Wheel Diameter.....	5"





Model.....	RC3000
Maximum Capacity.....	3000 lbs
Overall Base Length.....	79"
Overall Width.....	35"
Overall Height.....	78 1/2"
Width Between Legs.....	26"
Boom Reach Retracted.....	51"
Boom Reach Extended.....	82 1/2"
Boom Height (Lowest Position).....	49"
Boom Height (Highest Position).....	103"
Ext. Boom Height (Lowest Position).....	34"
Ext. Boom Height (Highest Position).....	119"
Height of Legs.....	9"
Load Wheel Diameter.....	8"
Steering Wheel Diameter.....	6"

TOLERANCES & NOTES UNLESS OTHERWISE SPECIFIED	
FRACTIONS: +/- .015	BREAK ALL SHARP CORNERS
DECIMALS: +/- .010	125 MICRORINCH SURFACE FINISH
XXX: +/- .005	DO NOT CHANGE DRAWINGS MANUALLY
ANGLES: +/- 1"	
THIS PRINT OR DRAWING IS CONFIDENTIAL AND IS THE EXCLUSIVE PROPERTY OF DAVID ROUND & SON, INC. ANY REPRODUCTION OR USE OF ITS IDEAS OR PRINCIPLES IS PROHIBITED WITHOUT THE WRITTEN CONSENT OF DAVID ROUND & SON, INC., CLEVELAND, OHIO.	
SCALE APPLIES TO 11x17	

DAVID ROUND & SON, INC.			
32405 AURORA ROAD CLEVELAND, OHIO 44139 PHONE: (440) 248-4700 FAX: (440) 248-8544			
TITLE RG-RC3000		REVISED DATE	
DIMENSIONAL DRAWING		DATE 4/29/10	
DRAWN CSX	SCALE N.T.S.	DRAWING NO.	REV
S.O. NO.	WT. LBS.	SHT 1 OF 1	RG-RC3000 1.0