

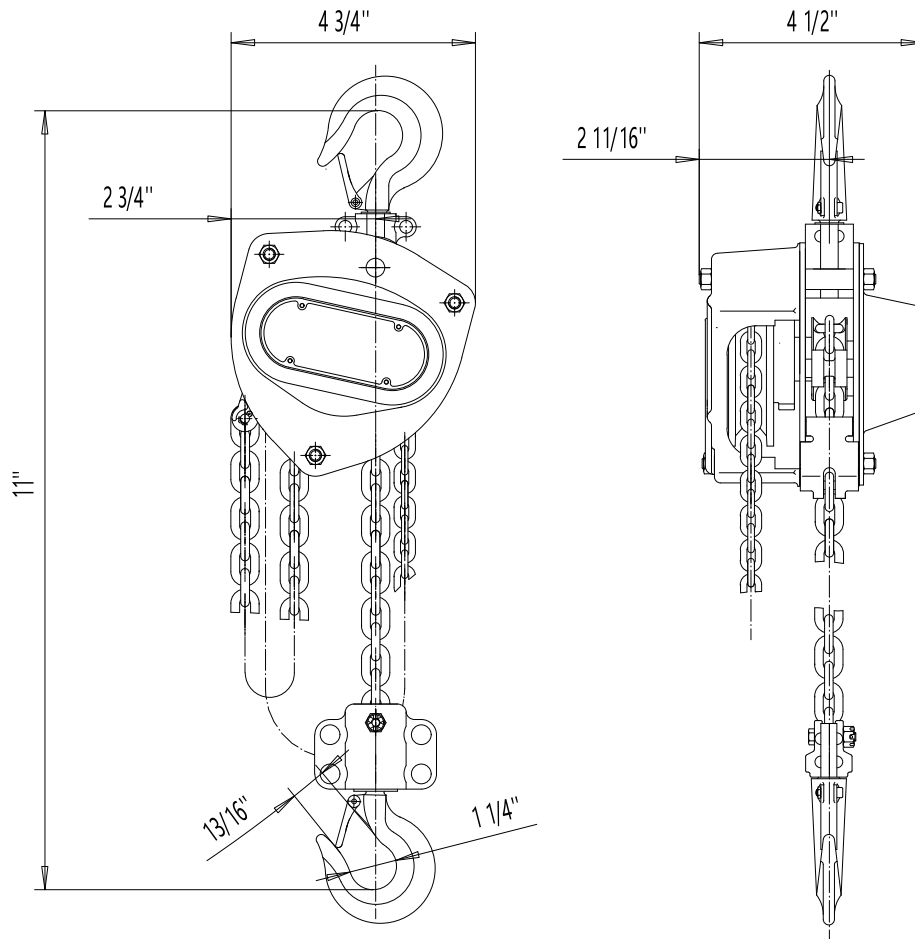
RBCMBE-000231-1-RMII-ZFC-250-O

Included in

This document is the absolute property of R&M. This document must not be copied without the written permission of R&M. The contents thereof must not be disclosed to a third party nor be used for any unauthorized purpose. Contravention will be prosecuted.

Rev	Explanation	Date	Revised by	Num	M-f
-----	-------------	------	------------	-----	-----

Hand Chain Block
RMII-ZFC-250



A4

TECHNICAL DATA

LOAD	: 1/4 ton	NUMBER OF FALLS	: 1
HOISTING HEIGHT	: 10 ft	WEIGHT OF HOIST	: 13 lbs
		HAND CHAIN LENGTH	: 8 ft

Pos	Amount	Description	Specification			
Twin copy		RBCMBE/USA				DAS / M@ngo
		Design	Chd	Appd	Ref drawing	Vx proj
		05/18	-			
		Date	-			
		Dept				
			RBCMBE-000231-1-RMII-ZFC-250-O			Issue



M-film

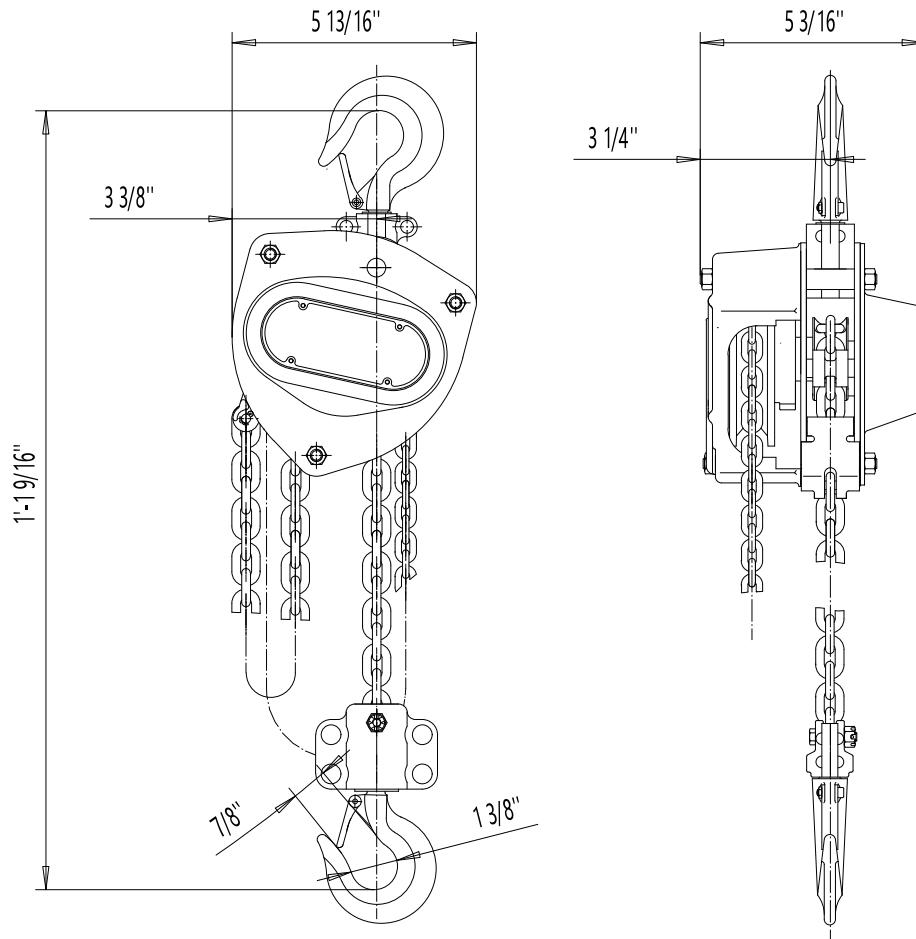
RBCMBE-000231-1-RMII-ZFC-500-O

Included in

This document is the absolute property of R&M. This document must not be copied without the written permission of R&M. The contents thereof must not be disclosed to a third party nor be used for any unauthorized purpose. Contravention will be prosecuted.

Rev	Explanation	Date	Revised by	Num	M-f
-----	-------------	------	------------	-----	-----

Hand Chain Block
RMII-ZFC-500



A4

TECHNICAL DATA

LOAD	: 1/2 ton	NUMBER OF FALLS	: 1
HOISTING HEIGHT	: 10 ft	WEIGHT OF HOIST	: 20 lbs
		HAND CHAIN LENGTH	: 8 ft

Pos	Amount	Description	Specification			
Twin copy		RBCMBE/USA				DAS / M@ngo
		Design	Chd	Appd	Ref drawing	Vx proj
		05/18	-			
		Date	-			
		Dept				
			RBCMBE-000231-1-RMII-ZFC-500-O			Issue



M-film

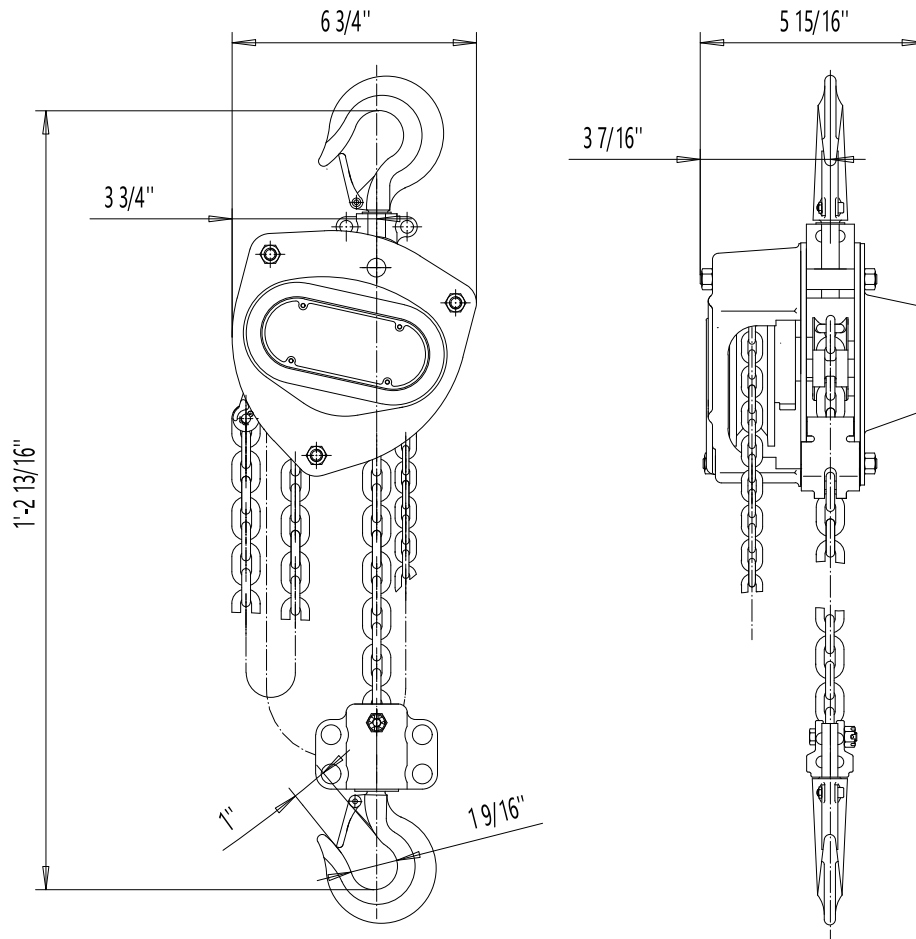
RBCMBE-000231-1-RMII-ZFC-1000-O

Included in

This document is the absolute property of R&M. This document must not be copied without the written permission of R&M. The contents thereof must not be disclosed to a third party nor be used for any unauthorized purpose. Contravention will be prosecuted.

Rev	Explanation	Date	Revised by	Num	M-f
-----	-------------	------	------------	-----	-----

Hand Chain Block
RMII-ZFC-1000

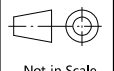


A4

TECHNICAL DATA

LOAD	: 1 ton	NUMBER OF FALLS	: 1
HOISTING HEIGHT	: 10 ft	WEIGHT OF HOIST	: 26 lbs
		HAND CHAIN LENGTH	: 8 ft

Pos	Amount	Description	Specification			
Twin copy		RBCMBE/USA				DAS / M@ngo
		Design	Chd	Appd	Ref drawing	Vx proj
		05/18	-			
		Date	-			
		Dept				
			RBCMBE-000231-1-RMII-ZFC-1000-O			Issue



M-film

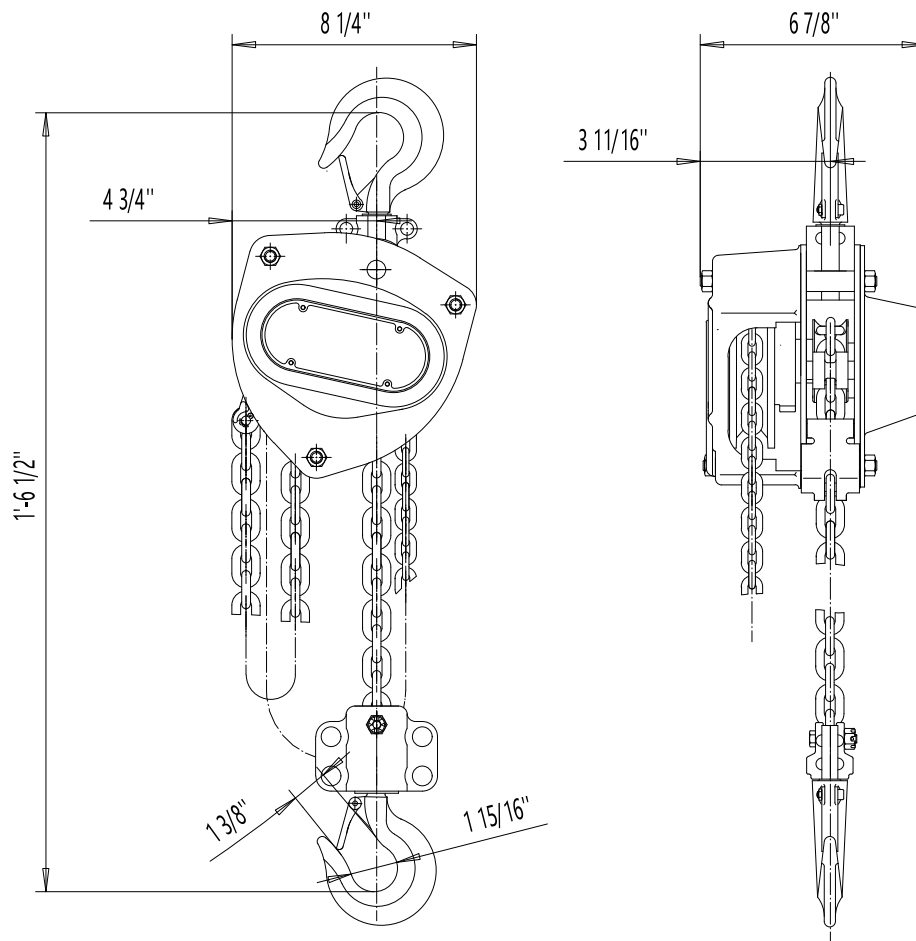
RBCMBE-000231-1-RMII-ZFC-2000-O

Included in

This document is the absolute property of R&M. This document must not be copied without the written permission of R&M. The contents thereof must not be disclosed to a third party nor be used for any unauthorized purpose. Contravention will be prosecuted.

Rev	Explanation	Date	Revised by	Num	M-f
-----	-------------	------	------------	-----	-----

Hand Chain Block
RMII-ZFC-2000

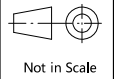


A4

TECHNICAL DATA

LOAD	: 2 ton	NUMBER OF FALLS	: 1
HOISTING HEIGHT	: 10 ft	WEIGHT OF HOIST	: 42 lbs
		HAND CHAIN LENGTH	: 8 ft

Pos	Amount	Description	Specification			
Twin copy		RBCMBE/USA				DAS / M@ngo
		Design	Chd	Appd	Ref drawing	Vx proj
		05/18	-			
		Date	-			
		Dept				
			RBCMBE-000231-1-RMII-ZFC-2000-O			Issue



M-film

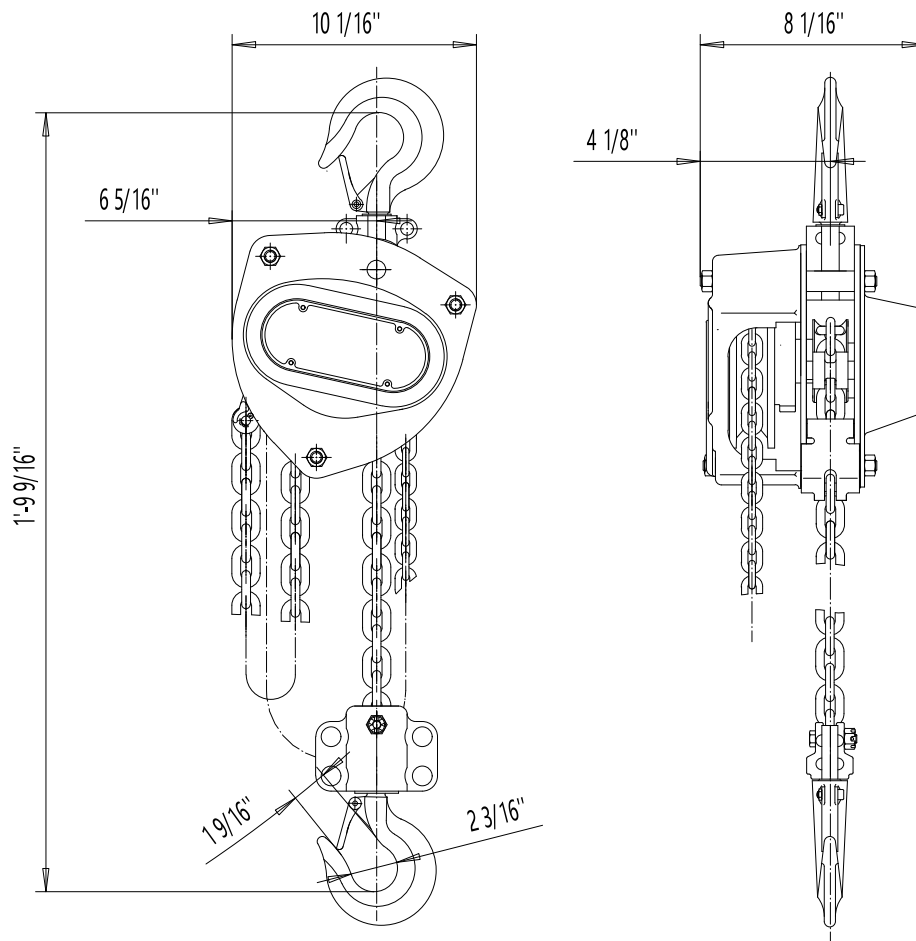
RBCMBE-000231-1-RMII-ZFC-3000-O

Included in

This document is the absolute property of R&M. This document must not be copied without the written permission of R&M. The contents thereof must not be disclosed to a third party nor be used for any unauthorized purpose. Contravention will be prosecuted.

Rev	Explanation	Date	Revised by	Num	M-f
-----	-------------	------	------------	-----	-----

Hand Chain Block
RMII-ZFC-3000



A4

TECHNICAL DATA

LOAD	: 3 ton	NUMBER OF FALLS	: 1
HOISTING HEIGHT	: 10 ft	WEIGHT OF HOIST	: 68 lbs
		HAND CHAIN LENGTH	: 8 ft

Pos	Amount	Description	Specification			
Twin copy		RBCMBE/USA				DAS / M@ngo
		Design	Chd	Appd	Ref drawing	Vx proj
		05/18	-			
		Date	-			
		Dept				
			RBCMBE-000231-1-RMII-ZFC-3000-O			 Not in Scale M-film Issue

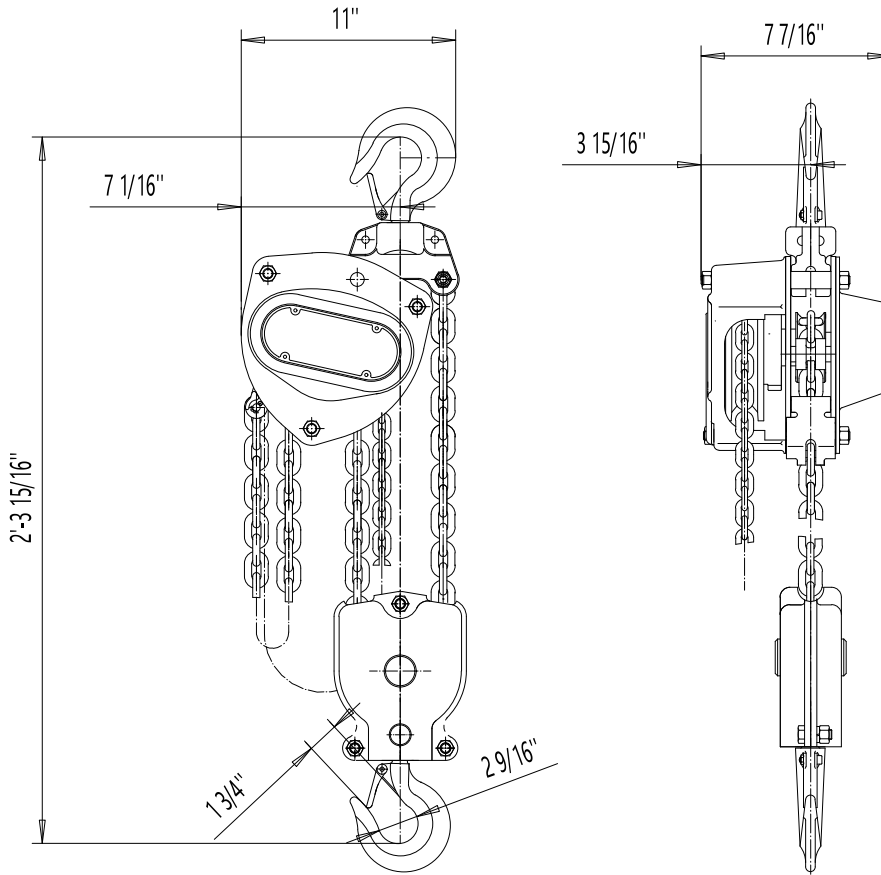
RBCMBE-000231-1-RMII-ZFC-5000-O

Included in

This document is the absolute property of R&M. This document must not be copied without the written permission of R&M. The contents thereof must not be disclosed to a third party nor be used for any unauthorized purpose. Contravention will be prosecuted.

Rev	Explanation	Date	Revised by	Num	M-f
-----	-------------	------	------------	-----	-----

Hand Chain Block
RMII-ZFC-5000

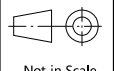


A4

TECHNICAL DATA

LOAD	: 5 ton	NUMBER OF FALLS	: 2
HOISTING HEIGHT	: 10 ft	WEIGHT OF HOIST	: 90 lbs
		HAND CHAIN LENGTH	: 8 ft

Pos	Amount	Description	Specification			
Twin copy		RBCMBE/USA				DAS / M@ngo
		Design	Chd	Appd	Ref drawing	Vx proj
		05/18	-			
		Date	-			
		Dept				
			RBCMBE-000231-1-RMII-ZFC-5000-O			Issue



M-film