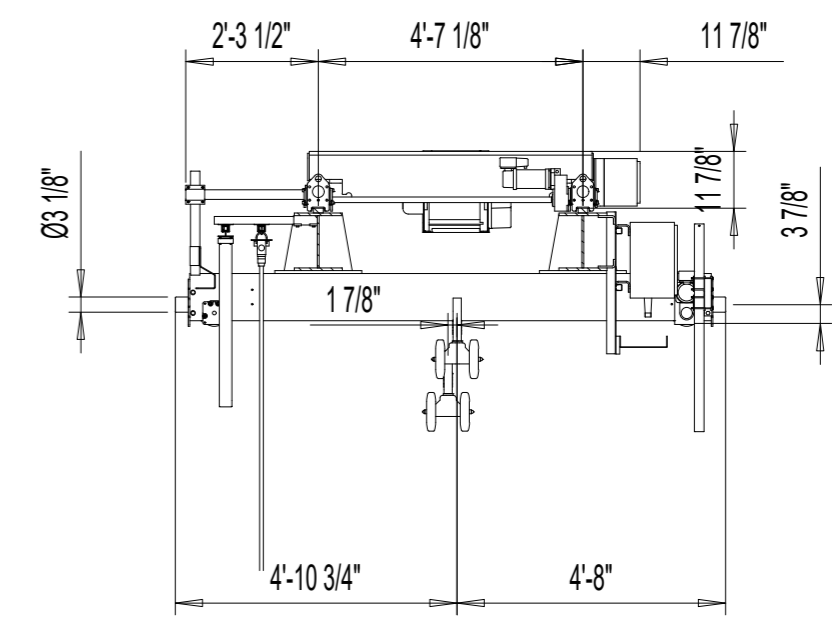
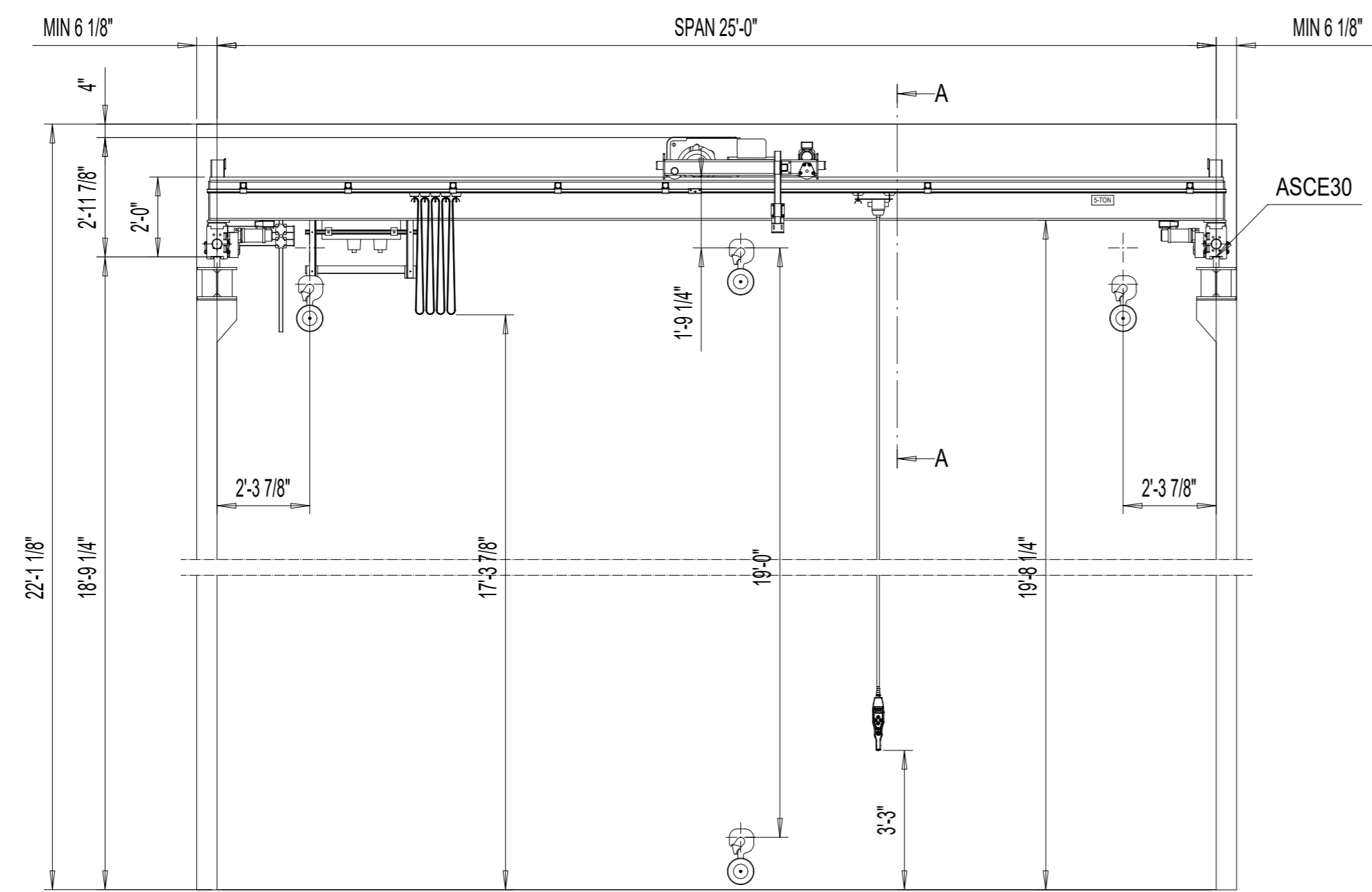
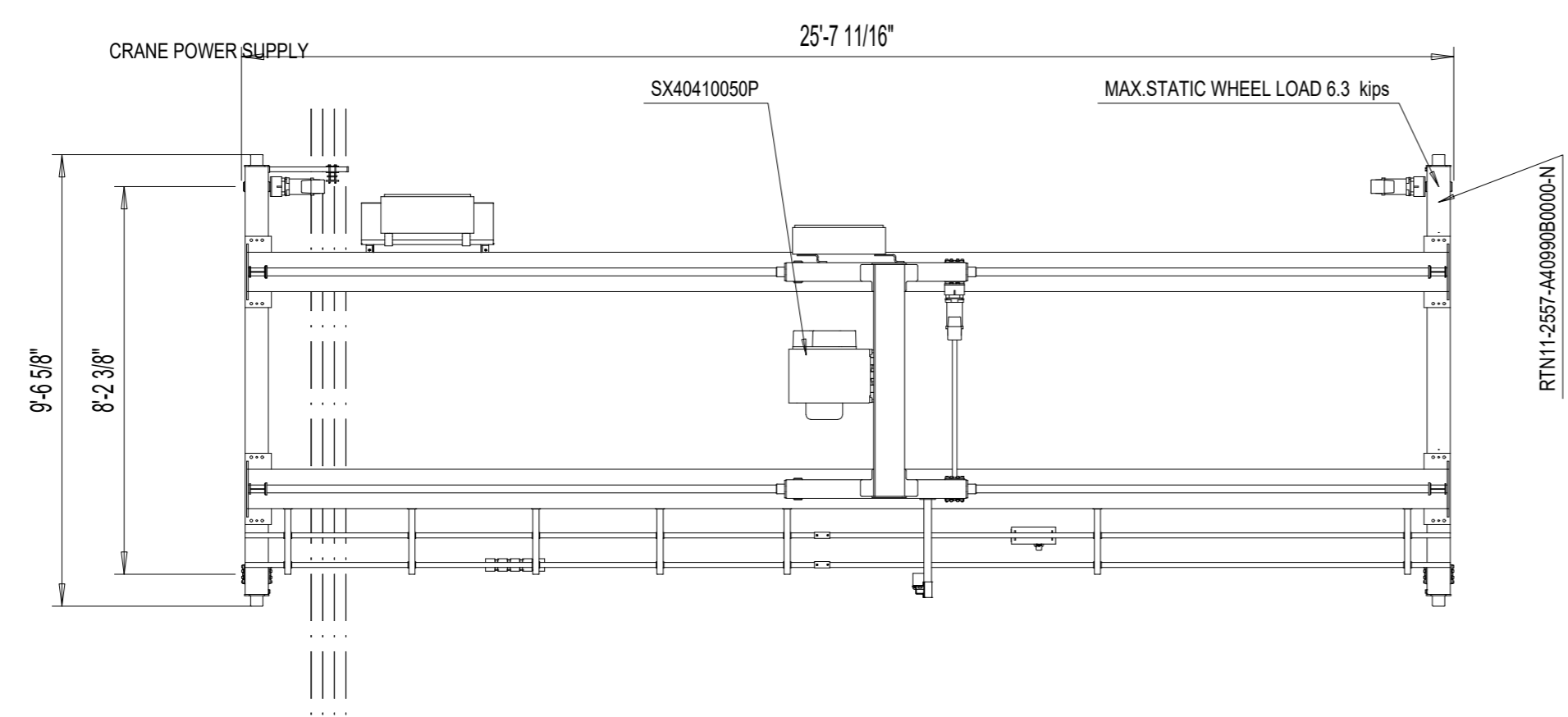
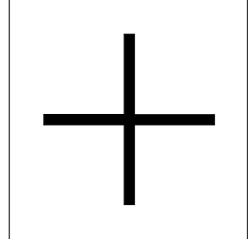


REV	CHANGE DESCRIPTION	ECN	DATE	REVISED BY	APPROVED BY
-----	--------------------	-----	------	------------	-------------



VIEW A-A

SPECIFY NORTH



TECHNICAL DATA

SPAN	: 25'-0"
LOAD	: 5-TON
LIFTING HEIGHT	: 19'-0"
HOISTING SPEED	: 20.0/3.2 ft/min 2-speed
TRAVERSING SPEED	: 65 ft/min stepless
TRAVELLING SPEED	: 100 ft/min stepless
WEIGHT OF TROLLEY	: 890 lbs
WEIGHT OF BRIDGE	: 4317 lbs
CRANE CLASSIFICATION	: CMAA Class C
HOIST GROUP	: ASME H4
CRANE DRIVE GROUP	: CMAA C
MAIN / CONTROL VOLTAGE	: 460 / 115 V; 60 Hz
SUPPLY POWER	: 8.66 Hp
LENGTH OF RUNWAY	: 0

SURFACE TREATMENT OF CRANE

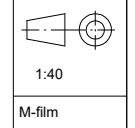
BRIDGE COLOR	: Safety Yellow
PAINT	: AKRYL / 127 µm

CUSTOMER ORGANIZES SAFE PLATFORM FOR CRANE SERVICE

Indoor Use crane



ACCEPTED BY:	MBE/RBC Design	04/16 Date	Toledo Dept	DAS / 2.102.0 Vx proj
COMPANY:	QXDka5-TON x 25ft Hol:19.01ft			
DATE:	RMCK5 - QXD-5-25-19-0			

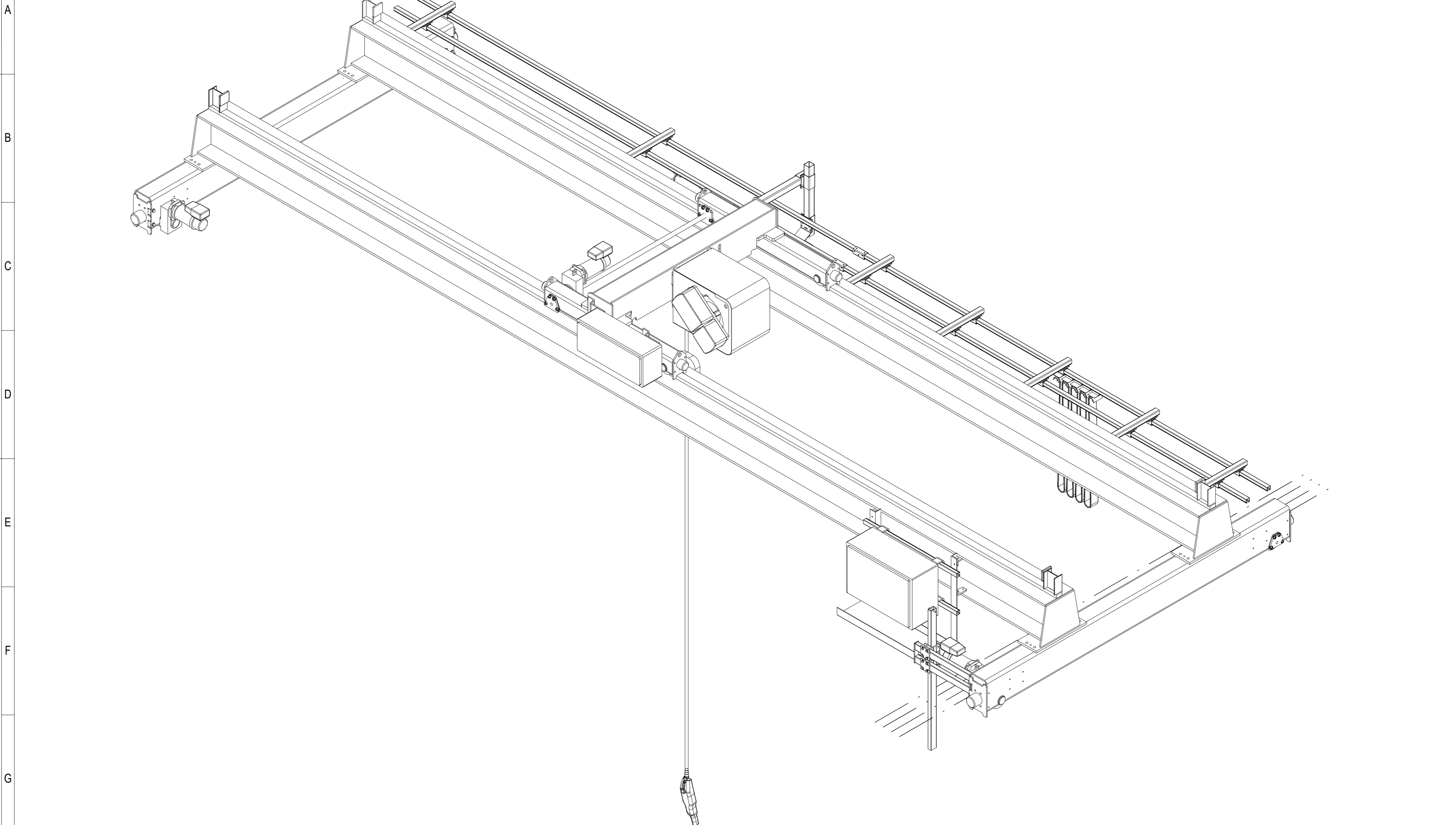


Issue


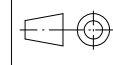

This document is the absolute property of R&M. This document must not be copied without the written permission of R&M. The contents thereof must not be disclosed to a third party nor be used for any unauthorized purpose. Contravention will be prosecuted.

1 2 3 4 5 6 7 8 9 10 11 12

REV	CHANGE DESCRIPTION	ECN	DATE	REVISED BY	APPROVED BY
-----	--------------------	-----	------	------------	-------------



This document is the absolute property of R&M. This document must not be copied, reproduced, or transmitted in any form or by any means, electronic, mechanical, photocopying, recording, or by any information storage and retrieval system, without the written permission of R&M. This document is loaned to a third party for use for any unauthorized purpose. Contravention will be prosecuted.

	Pos	Amount	Description	Specification			
	ACCEPTED BY:			MBE/RBC	04/16	Toledo	DAS / 2.102.0
	COMPANY:			Design	Date	Dept	Vx proj
DATE:			QXDka5-TON x 25ft Hol:19.01ft			 1:40 M-film	
 800-962-4802			RMCK5 - QXD-5-25-19-0-I			Issue	

1 2 3 4 5 6 7 8 9 10 11 12