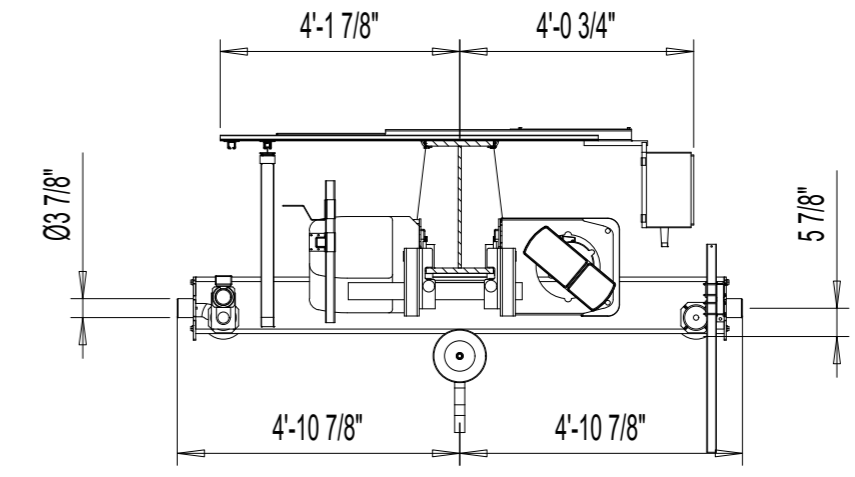
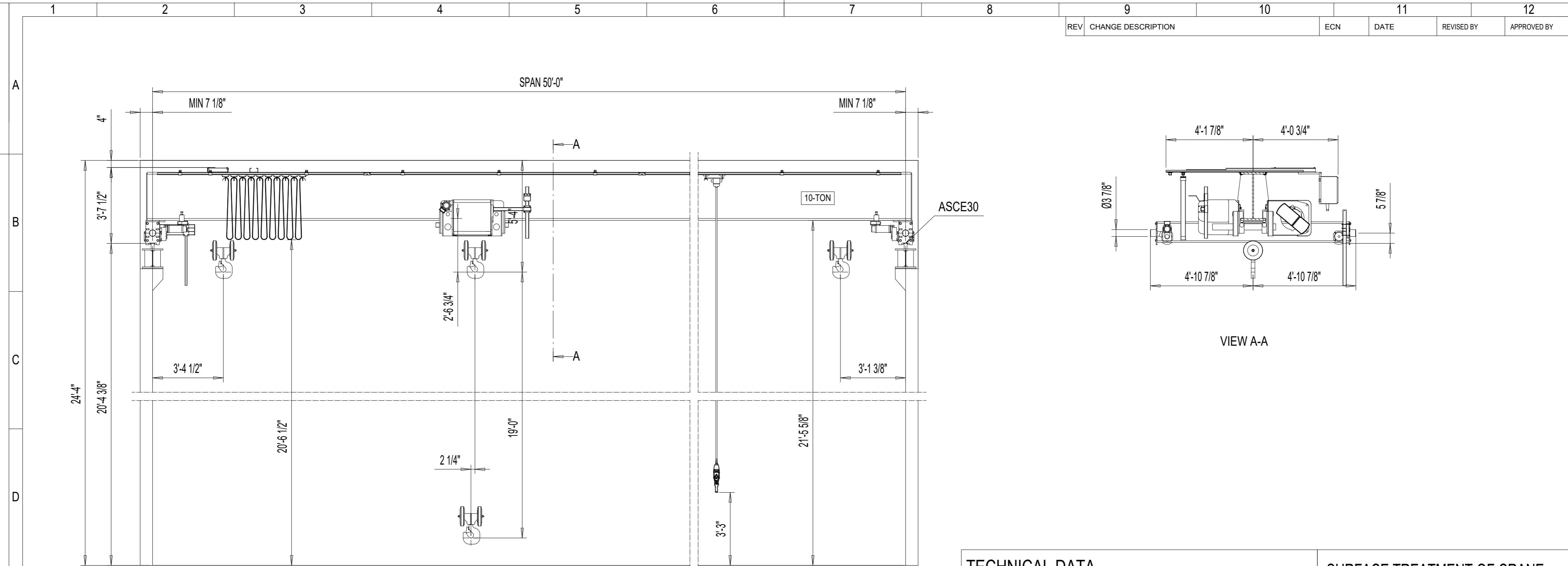
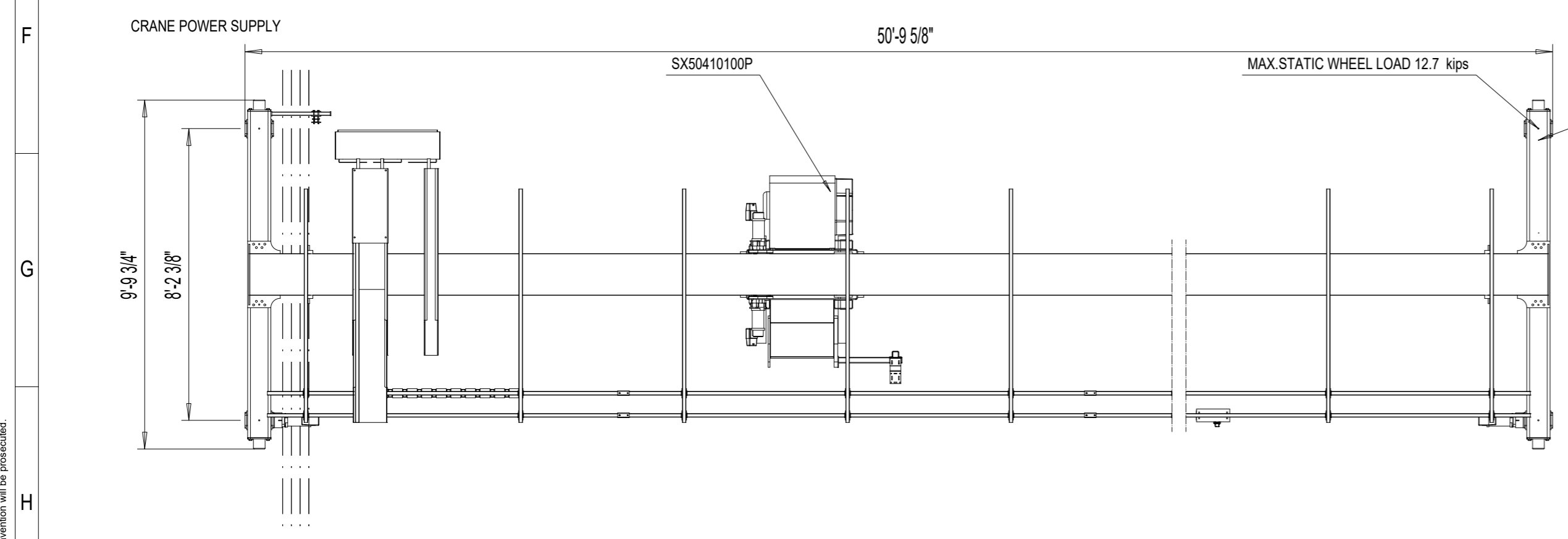
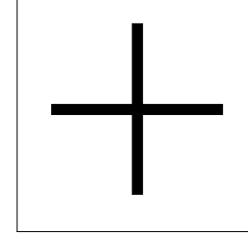


REV	CHANGE DESCRIPTION	ECN	DATE	REVISED BY	APPROVED BY
-----	--------------------	-----	------	------------	-------------



VIEW A-A

SPECIFY NORTH



TECHNICAL DATA

SPAN	: 50'-0"
LOAD	: 10-TON
LIFTING HEIGHT	: 19'-0"
HOISTING SPEED	: 20.0/3.2 ft/min 2-speed
TRAVERSING SPEED	: 65 ft/min stepless
TRAVELLING SPEED	: 100 ft/min stepless
WEIGHT OF TROLLEY	: 1400 lbs
WEIGHT OF BRIDGE	: 10412 lbs
CRANE CLASSIFICATION	: CMAA Class C
HOIST GROUP	: ASME H4
CRANE DRIVE GROUP	: CMAA C
MAIN / CONTROL VOLTAGE	: 460 / 115 V; 60 Hz
SUPPLY POWER	: 17.14 Hp
LENGTH OF RUNWAY	: 0

SURFACE TREATMENT OF CRANE

BRIDGE COLOR	: Safety Yellow
PAINT	: AKRYL / 127 µm

CUSTOMER ORGANIZES SAFE PLATFORM FOR CRANE SERVICE

Indoor Use crane

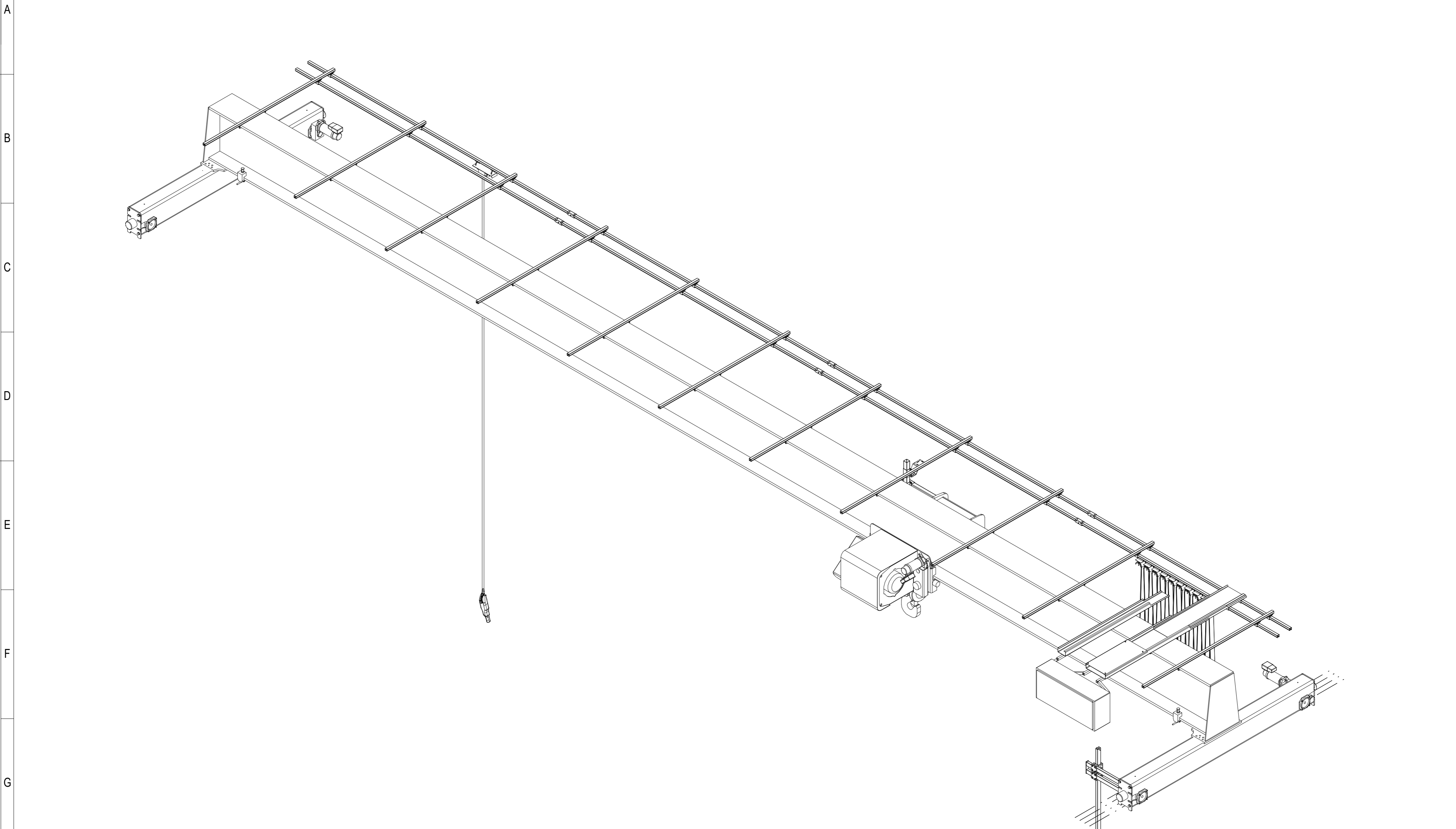


Pos	Amount	Description	Specification
ACCEPTED BY:		MBE/RBC Design	04/16 Date
COMPANY:		Toledo Dept	DAS / 2.102.0 Vx proj
DATE:		QXSka10-TON x 50ft Hol: 19.01ft	
 800-962-4802		RMCK4 - QXS-10-50-19-0	
		1:40 M-film Issue	

This document is the absolute property of R&M. This document must not be copied without the written permission of R&M. The contents thereof must not be disclosed to a third party nor be used for any unauthorized purpose. Contravention will be prosecuted.

1 2 3 4 5 6 7 8 9 10 11 12

REV	CHANGE DESCRIPTION	ECN	DATE	REVISED BY	APPROVED BY
-----	--------------------	-----	------	------------	-------------



This document is the absolute property of R&M. This document must not be copied without the written permission of R&M. The contents thereof must not be disclosed to a third party nor be used for any unauthorized purpose. Contravention will be prosecuted.



Pos	Amount	Description	Specification		
ACCEPTED BY:		MBE/RBC	04/16	Toledo	DAS / 2.102.0
COMPANY:		Design	Date	Dept	Vx proj
DATE:		QXSka10-TON x 50ft Hol: 19.01ft			1:40
<b>Bohl</b>		RMCK4 - QXS-10-50-19-0-I			M-film
800-962-4802					Issue

1 2 3 4 5 6 7 8 9 10 11 12