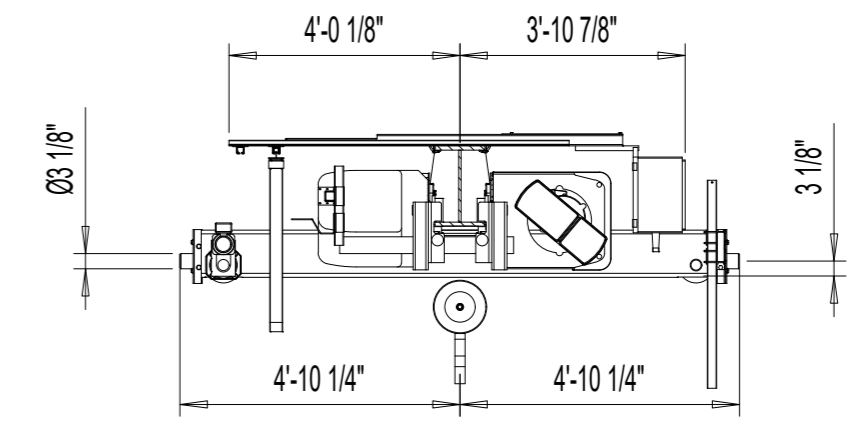
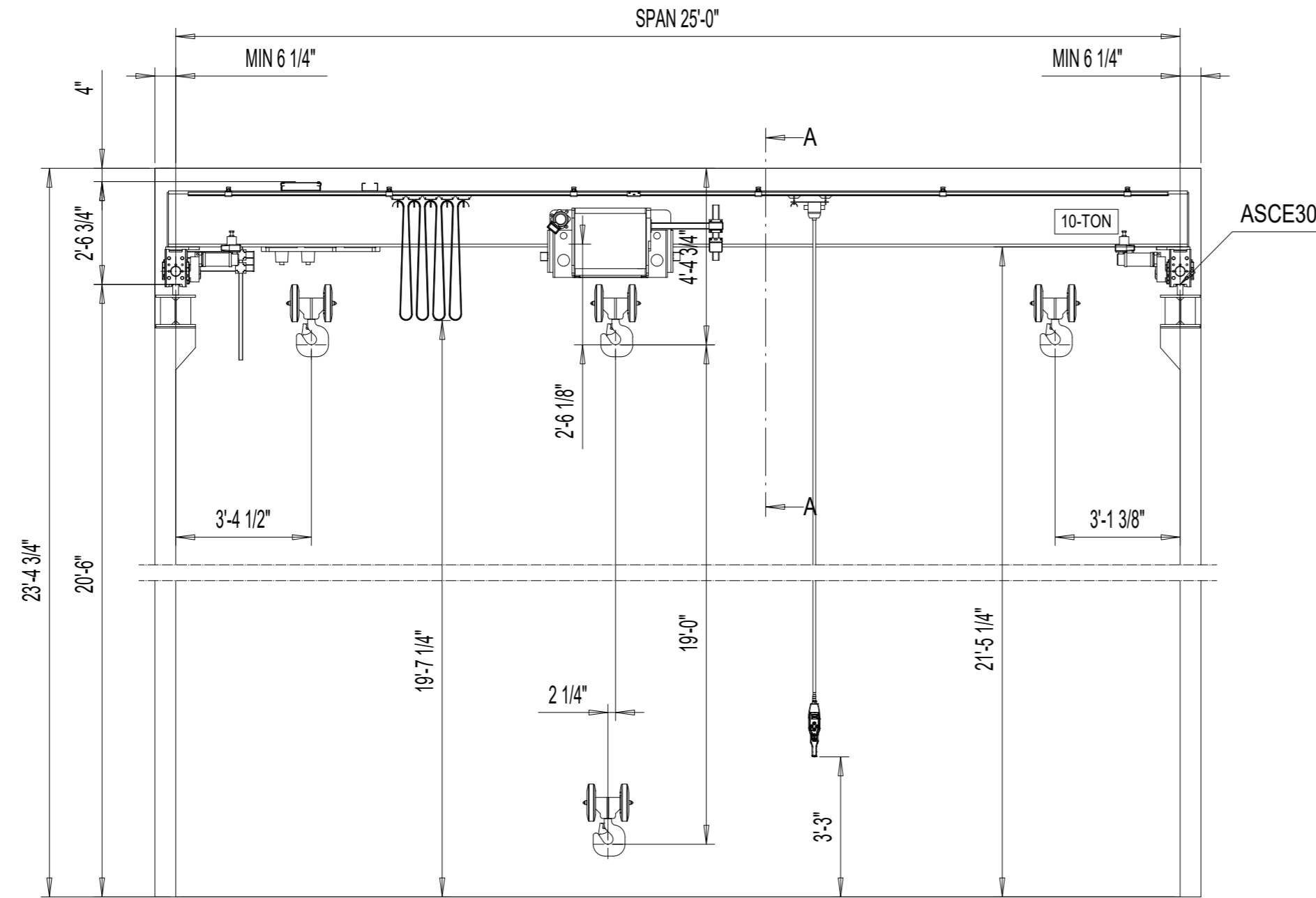
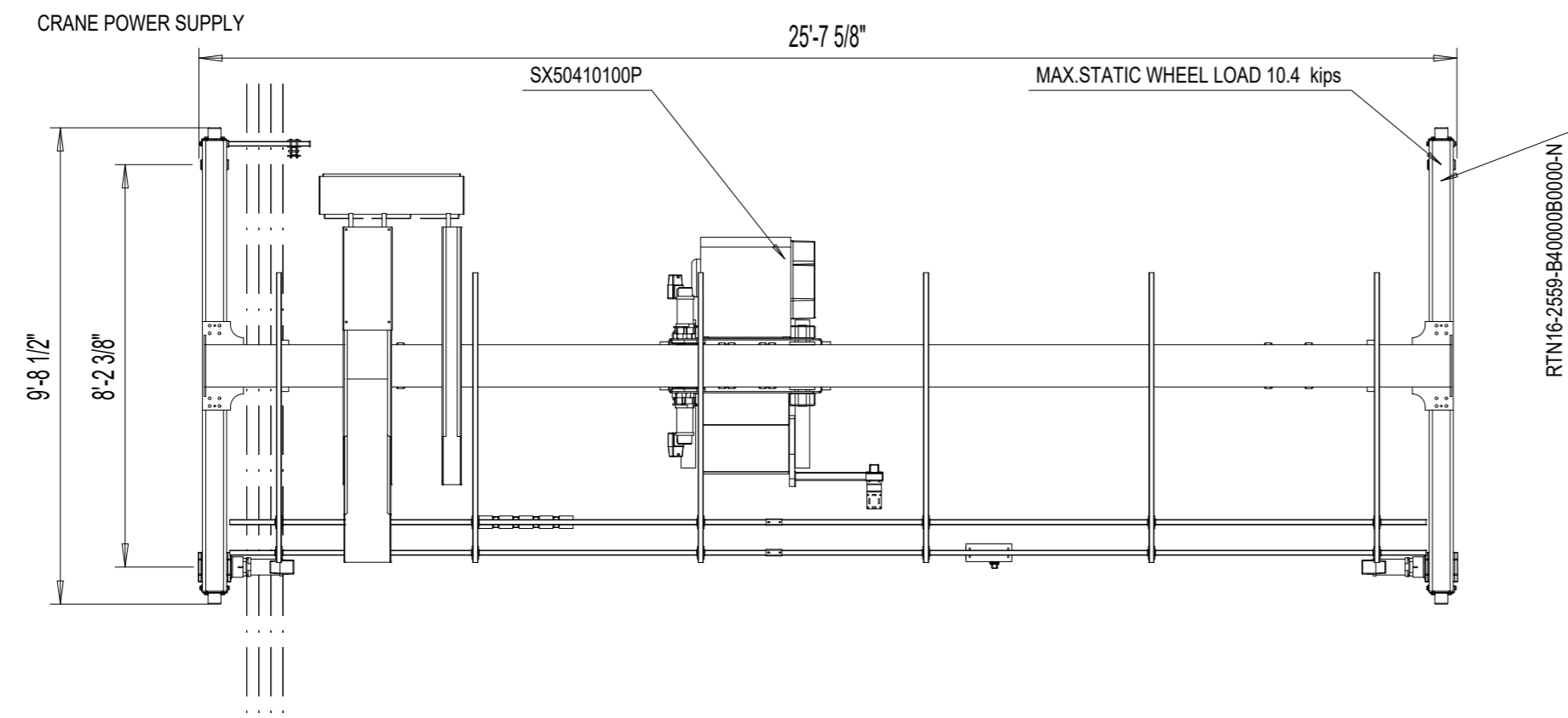
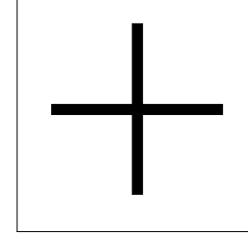


REV	CHANGE DESCRIPTION	ECN	DATE	REVISED BY	APPROVED BY
-----	--------------------	-----	------	------------	-------------



VIEW A-A

SPECIFY NORTH



TECHNICAL DATA

SPAN	: 25'-0"
LOAD	: 10-TON
LIFTING HEIGHT	: 19'-0"
HOISTING SPEED	: 20.0/3.2 ft/min 2-speed
TRAVERSING SPEED	: 65 ft/min stepless
TRAVELLING SPEED	: 100 ft/min stepless
WEIGHT OF TROLLEY	: 1440 lbs
WEIGHT OF BRIDGE	: 4011 lbs
CRANE CLASSIFICATION	: CMAA Class C
HOIST GROUP	: ASME H4
CRANE DRIVE GROUP	: CMAA C
MAIN / CONTROL VOLTAGE	: 460 / 115 V; 60 Hz
SUPPLY POWER	: 17.03 Hp
LENGTH OF RUNWAY	: 0

SURFACE TREATMENT OF CRANE

BRIDGE COLOR	: Safety Yellow
PAINT	: AKRYL /127 µm

CUSTOMER ORGANIZES SAFE PLATFORM FOR CRANE SERVICE

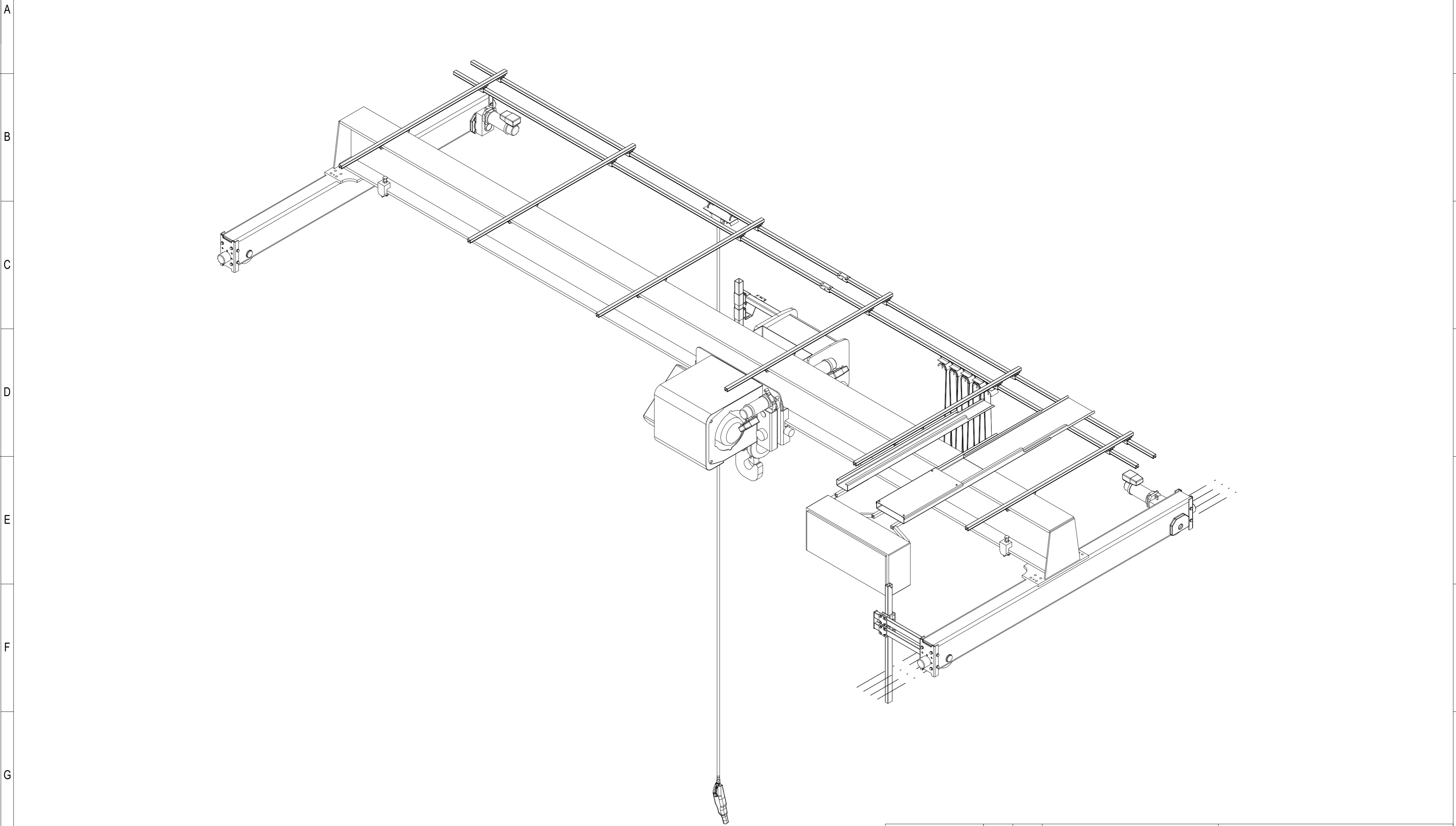
Indoor Use crane




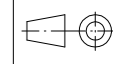

ACCEPTED BY:	MBE/RBC Design	04/17 Date	Toledo Dept	DAS / 2.102.0 Vx proj	1:40 M-film
DATE:	Bohl 800-962-4802				Issue
RMCK2 - QXS-10-25-19-0					

This document is the absolute property of R&M. This document must not be copied without the written permission of R&M. The contents thereof must not be disclosed to a third party nor be used for any unauthorized purpose. Contravention will be prosecuted.

REV	CHANGE DESCRIPTION	ECN	DATE	REVISED BY	APPROVED BY
-----	--------------------	-----	------	------------	-------------



This document is the absolute property of R&M. This document must not be copied without the written permission of R&M. The contents thereof must not be disclosed to a third party nor be used for any unauthorized purpose. Contravention will be prosecuted.

 <p>R&M MATERIALS HANDLING</p>	Pos	Amount	Description	Specification			
	ACCEPTED BY:			MBE/RBC	04/17	Toledo	DAS / 2.102.0
	COMPANY:			Design	Date	Dept	Vx proj
	DATE:			QXSka10-TON x 25ft Hol: 19.01ft			 1:40 M-film
 <p>Bohl 800-962-4802</p>			RMCK2 - QXS-10-25-19-0-I			Issue	