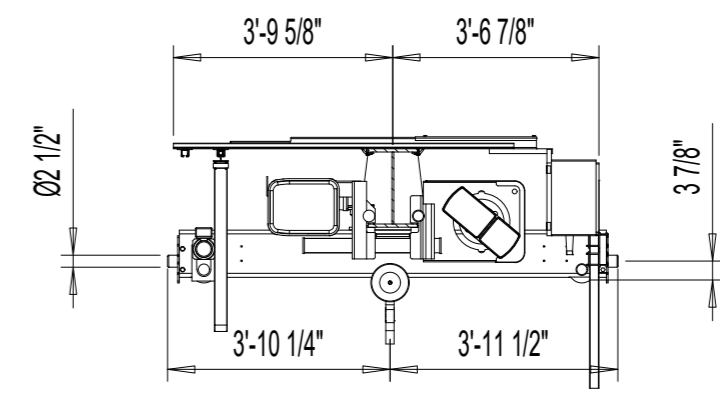
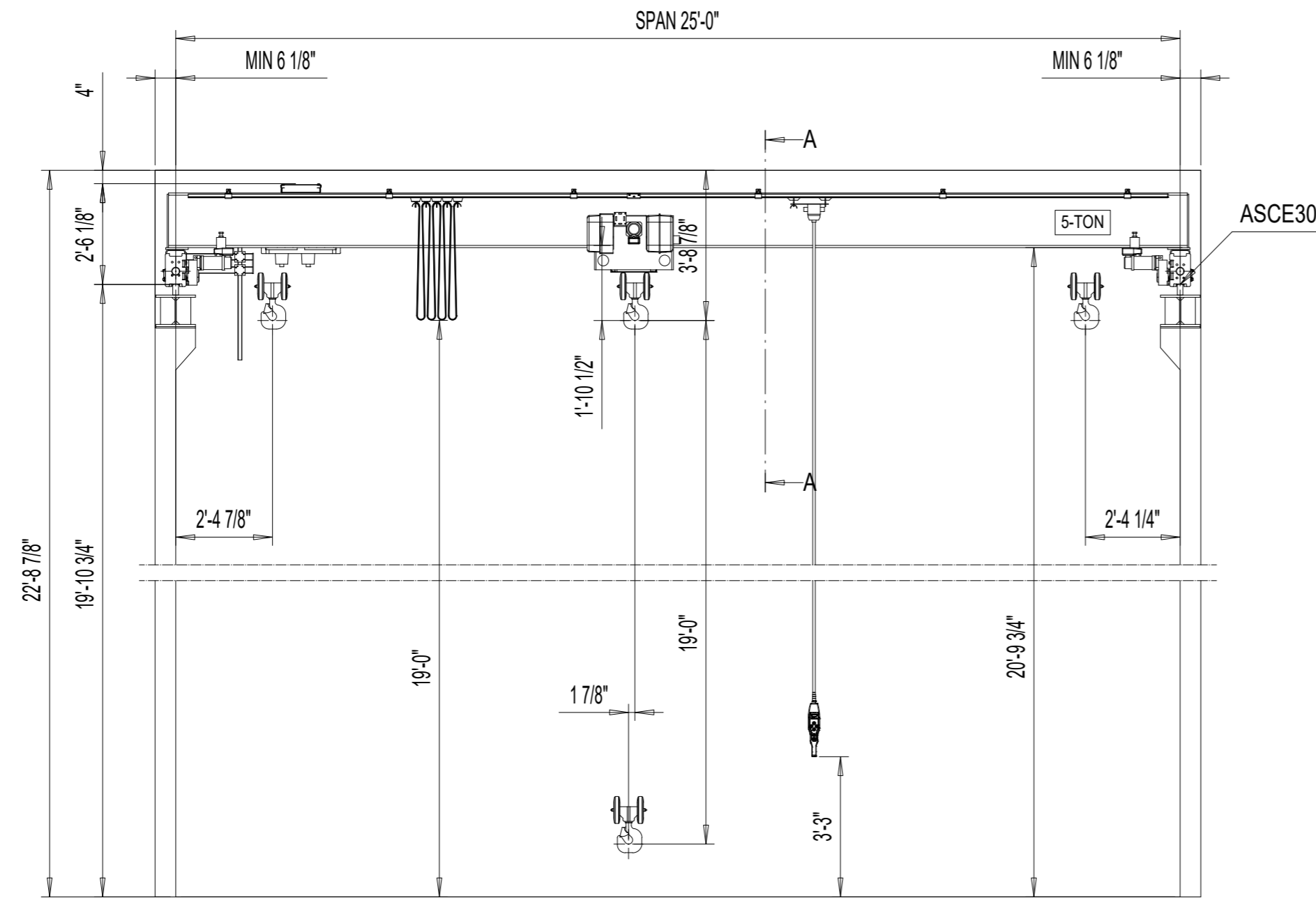


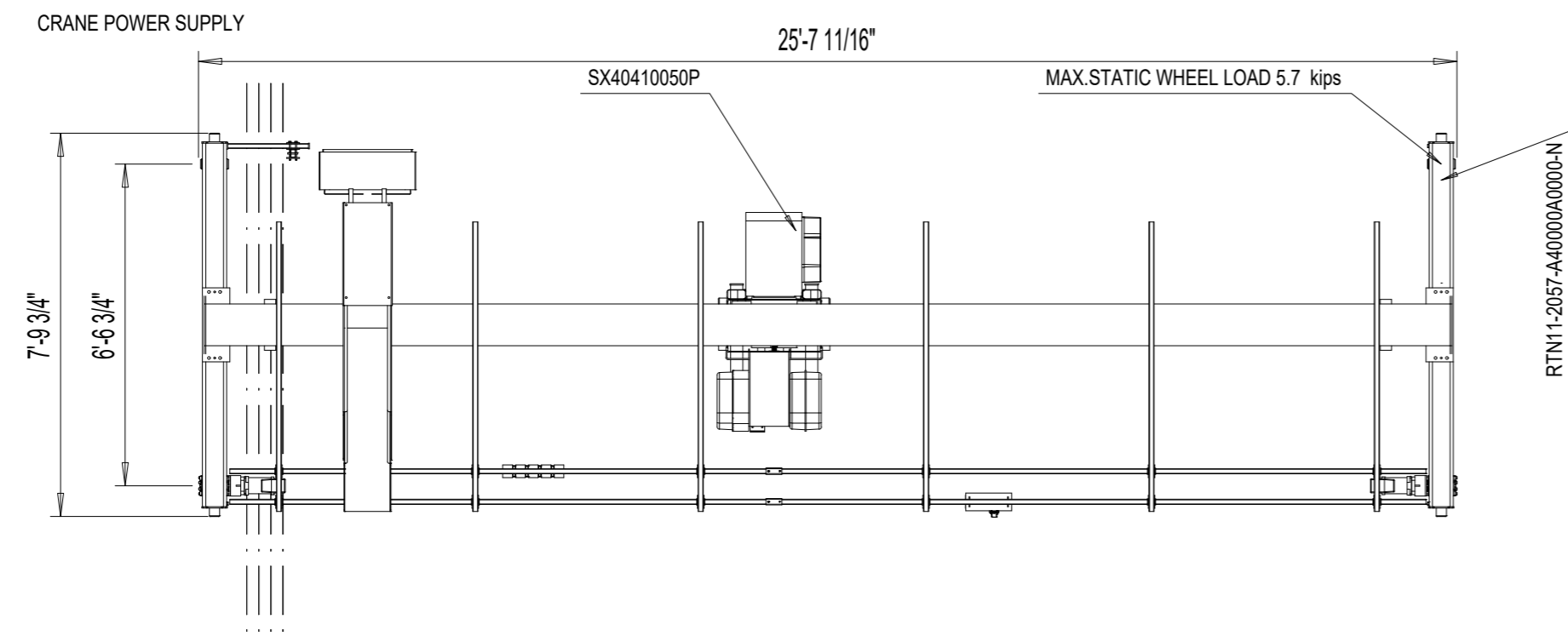
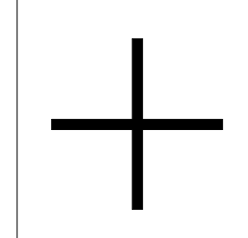
RMCK1 - QXS-5-25-19-0

REV	CHANGE DESCRIPTION	ECN	DATE	REVISED BY	APPROVED BY
-----	--------------------	-----	------	------------	-------------



VIEW A-A

SPECIFY NORTH



**TECHNICAL DATA**

SPAN	: 25'-0"
LOAD	: 5-TON
LIFTING HEIGHT	: 19'-0"
HOISTING SPEED	: 20.0/3.2 ft/min 2-speed
TRAVERSING SPEED	: 65 ft/min stepless
TRAVELLING SPEED	: 100 ft/min stepless
WEIGHT OF TROLLEY	: 820 lbs
WEIGHT OF BRIDGE	: 2848 lbs
CRANE CLASSIFICATION	: CMAA Class C
HOIST GROUP	: ASME H4
CRANE DRIVE GROUP	: CMAA C
MAIN / CONTROL VOLTAGE	: 460 / 115 V; 60 Hz
SUPPLY POWER	: 8.62 Hp
LENGTH OF RUNWAY	: 0

**SURFACE TREATMENT OF CRANE**

BRIDGE COLOR	: Safety Yellow
PAINT	: AKRYL /127 µm

CUSTOMER ORGANIZES SAFE PLATFORM FOR CRANE SERVICE

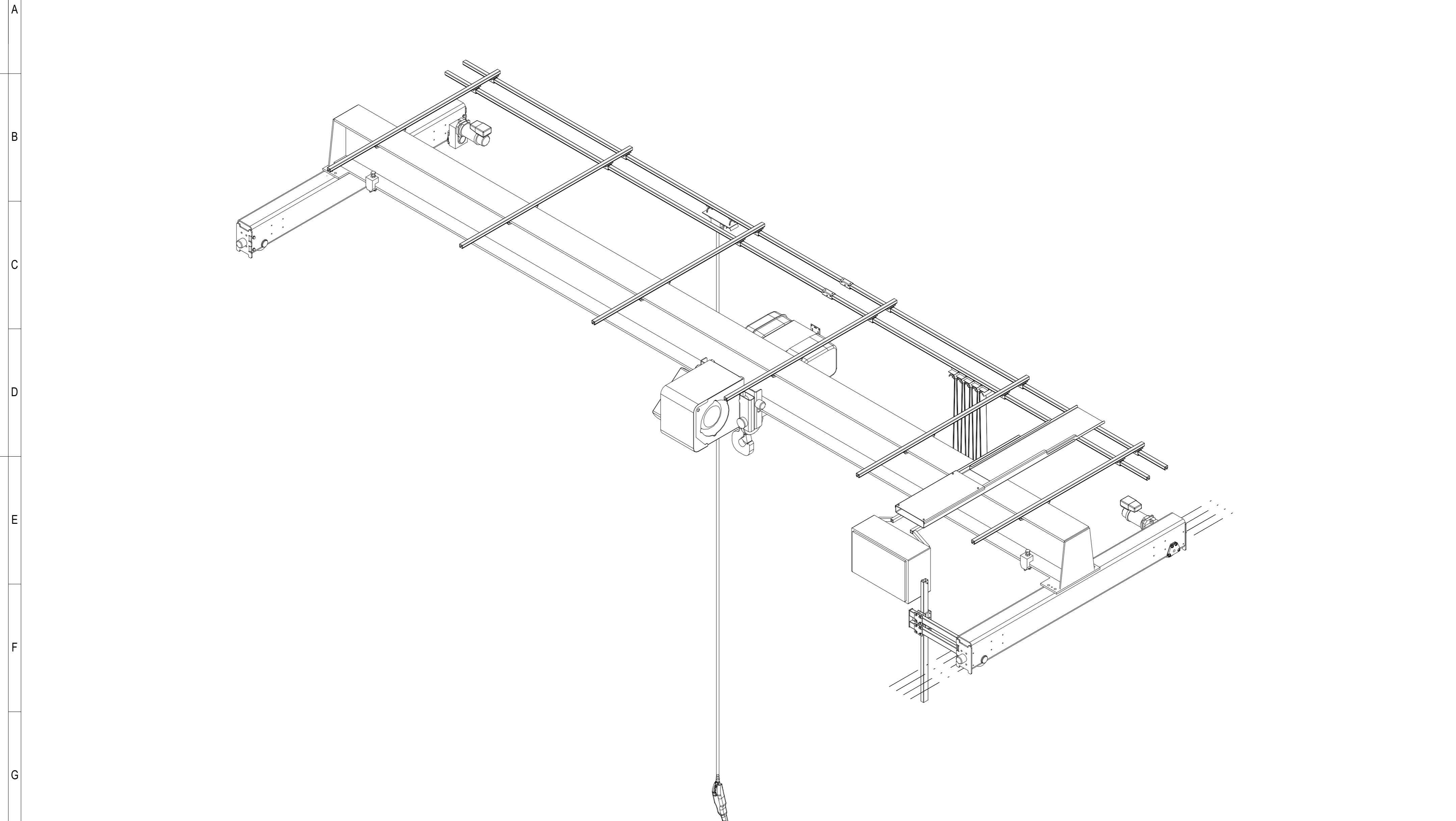
Indoor Use crane




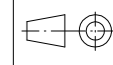

ACCEPTED BY:	MBE/RBC Design	04/16 Date	Toledo Dept	DAS / 2.102.0 Vx proj
COMPANY:	QXSka5-TON x 25ft Ho: 19.01ft			
DATE:	RMCK1 - QXS-5-25-19-0			
 800-962-4802				1:40 M-film Issue

This document is the absolute property of R&M. This document must not be copied without the written permission of R&M. The contents thereof must not be disclosed to a third party nor be used for any unauthorized purpose. Contravention will be prosecuted.

REV	CHANGE DESCRIPTION	ECN	DATE	REVISED BY	APPROVED BY
-----	--------------------	-----	------	------------	-------------



This document is the absolute property of R&M. This document must not be copied without the written permission of R&M. The contents thereof must not be disclosed to a third party nor be used for any unauthorized purpose. Contravention will be prosecuted.

	Pos	Amount	Description	Specification			
	ACCEPTED BY:			MBE/RBC	04/16	Toledo	DAS / 2.102.0
	COMPANY:			Design	Date	Dept	Vx proj
	DATE:			QXSk5-TON x 25ft Ho: 19.01ft			 1:40 M-film
 800-962-4802			RMCK1 - QXS-5-25-19-0-I			Issue	