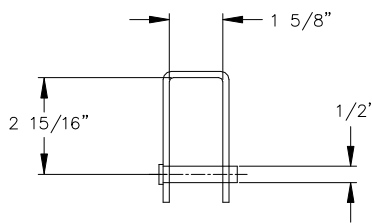


150 LBS. LB CAPACITY



HOIST HANGER BRACKET
NOT TO SCALE

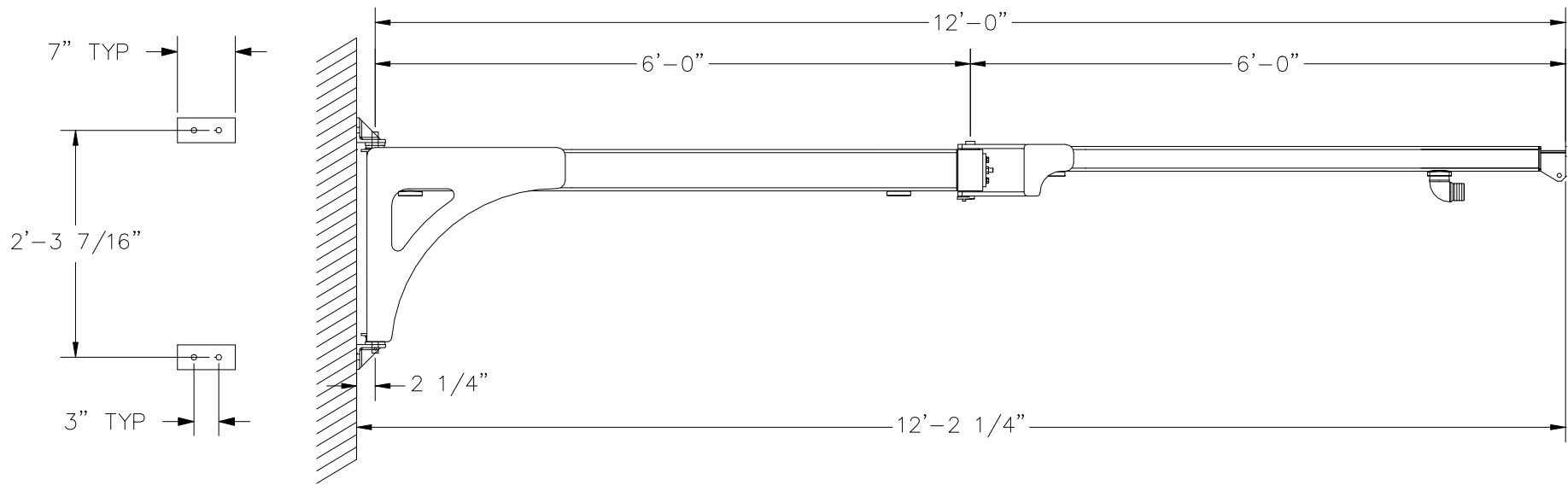
CONFIDENTIAL

CREATED BY: BOHL CRANE INC

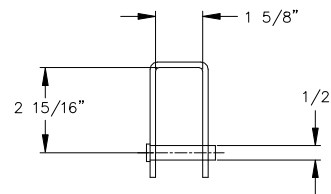
GORBEL

600 FISHERS RUN
P.O. BOX 593
FISHERS, NY 14453-0593

PPRO-WM-150-10-B	
CAPACITY: 150 LBS.	
SPAN: 10 FT	
QUANTITY: 1	
SHIPPING WT.: 388 LBS.	
THRUST & PULL: 1417 LBS.	
DRAWN: GORBEL	DATE: 7/21/2023
C.O.#: ANTSMI00006	P/N: ANTSMI00006.0A



150 LBS. LB CAPACITY



HOIST HANGER BRACKET
NOT TO SCALE

CONFIDENTIAL

CREATED BY: BOHL CRANE INC

GORBEL

600 FISHERS RUN
P.O. BOX 593
FISHERS, NY 14453-0593

PPRO-WM-150-12-B

CAPACITY: 150 LBS.

SPAN: 12 FT

QUANTITY: 1

SHIPPING WT.: 404 LBS.

THRUST & PULL: 1732 LBS.

DRAWN: GORBEL

DATE: 7/21/2023

C.O.#: ANTSMI00006

P/N: ANTSMI00006.0A