

CONFIDENTIAL

CREATED BY: BOHL CRANE INC

GORBEL

600 FISHERS RUN
P.O. BOX 593
FISHERS, NY 14453-0593

MT400-W10-W8-15

CAPACITY: 0.5 TON

SPAN: 10'

QUANTITY: 1

SHIPPING WT.: 500.06 LBS

THRUST & PULL: 1.399 Kips

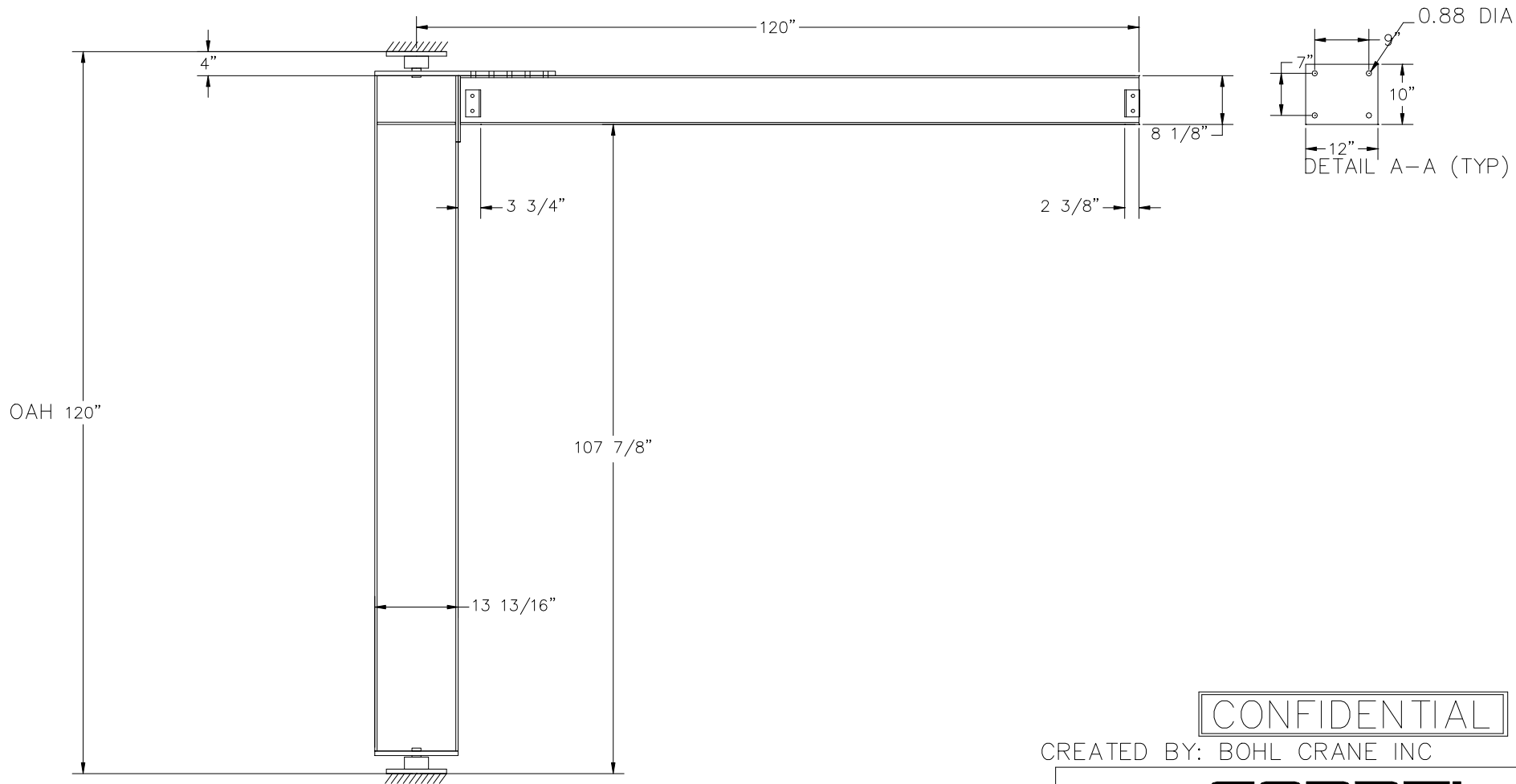
DRAWN: ANTSMI

DATE: 7/21/2023

C.O.#: ANTSMI00006

P/N: ANTSMI00006.OA

1) DO NOT SCALE FROM THIS DRAWING.



CONFIDENTIAL

CREATED BY: BOHL CRANE INC

GORBEL

600 FISHERS RUN
P.O. BOX 593
FISHERS, NY 14453-0593

MT400-W14-W8-15

CAPACITY: 1 TON

SPAN: 10'

QUANTITY: 1

SHIPPING WT.: 612.22 LBS

THRUST & PULL: 2.705 Kips

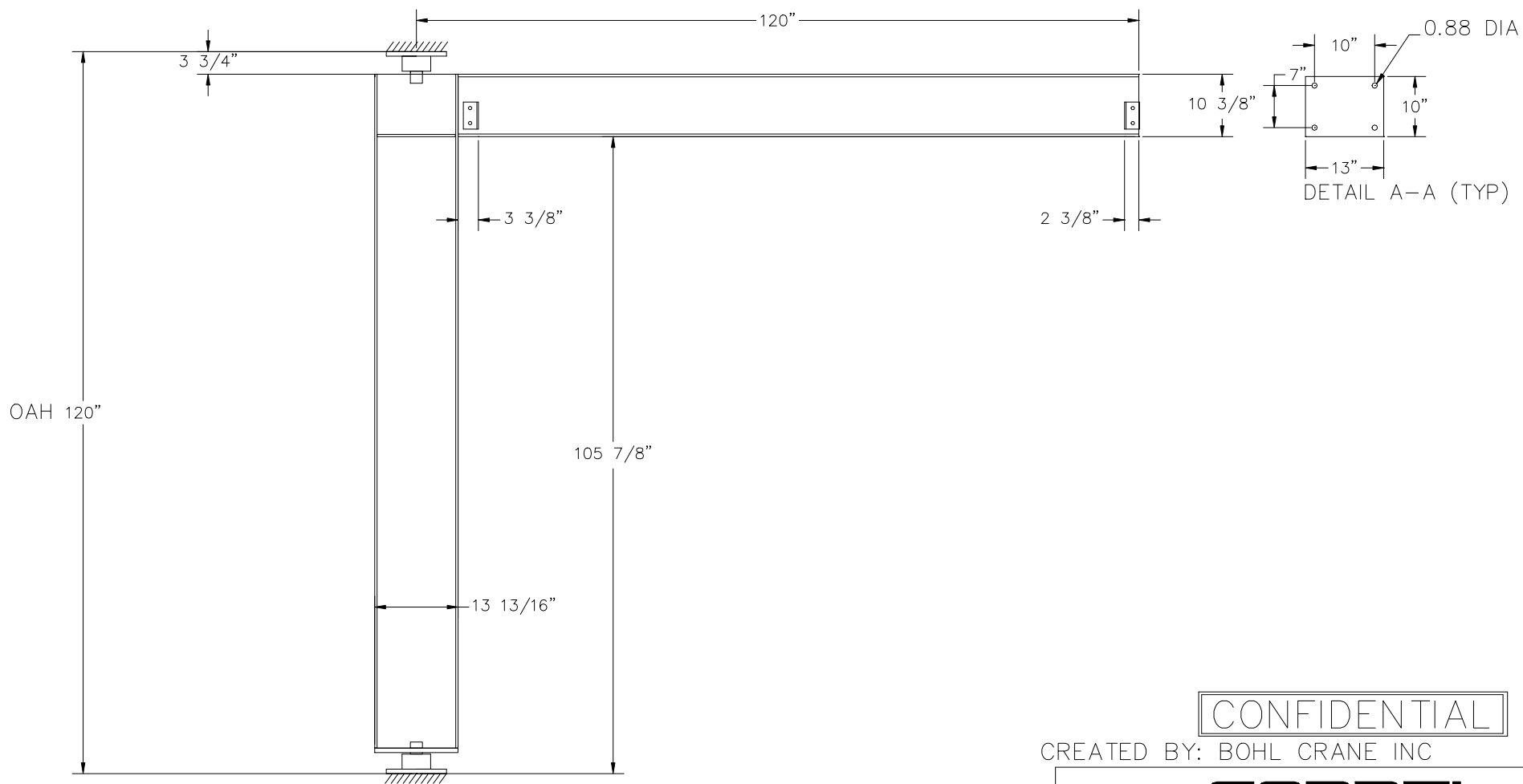
DRAWN: ANTSMI

DATE: 7/21/2023

C.O.#: ANTSMI00006

P/N: ANTSMI00006.OA

1) DO NOT SCALE FROM THIS DRAWING.



CONFIDENTIAL

CREATED BY: BOHL CRANE INC

GORBEL

600 FISHERS RUN
P.O. BOX 593
FISHERS, NY 14453-0593

MT400-W14-W10-20

CAPACITY: 2 TON

SPAN: 10'

QUANTITY: 1

SHIPPING WT.: 660.45 LBS

THRUST & PULL: 5.385 Kips

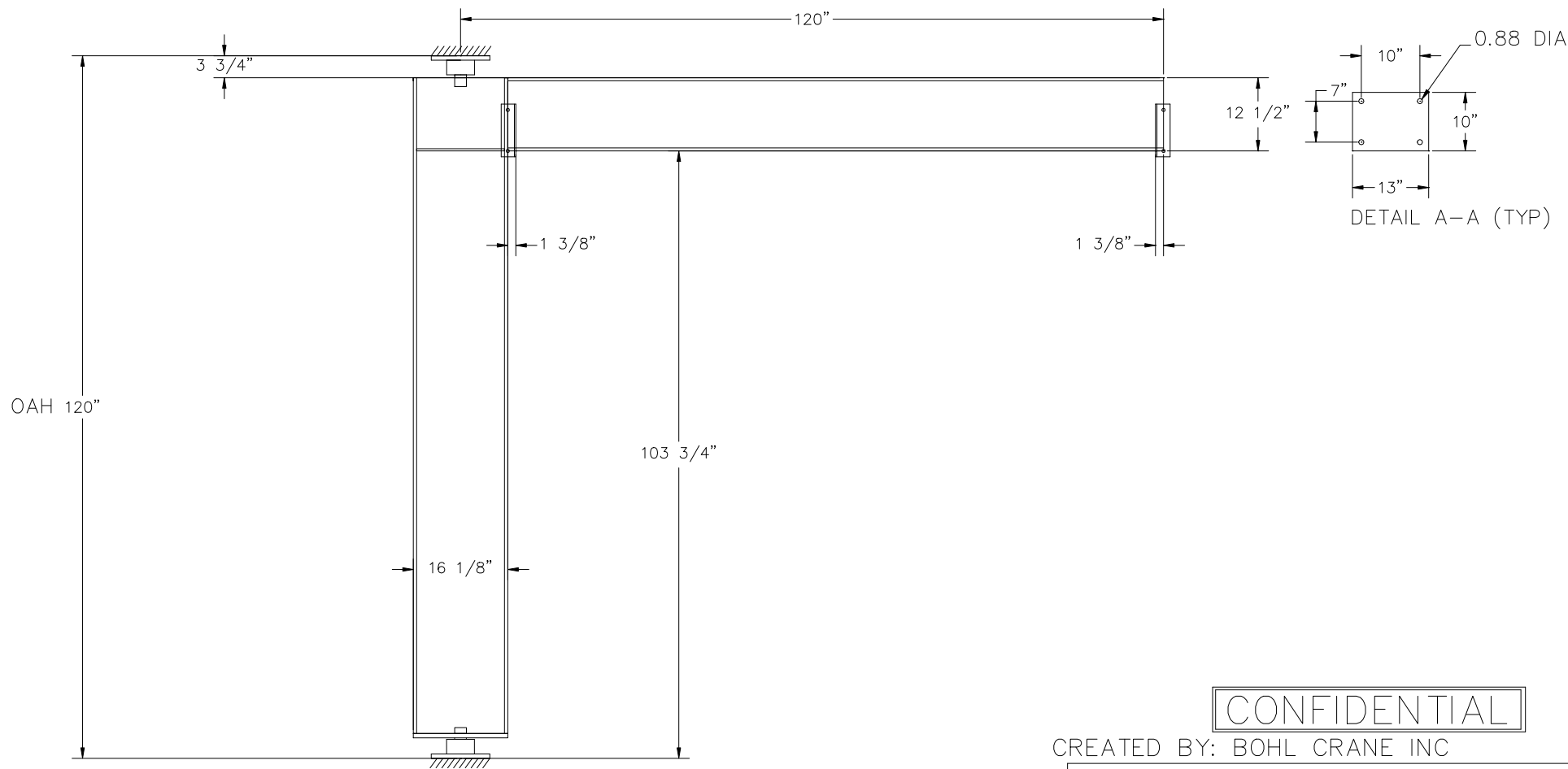
DRAWN: ANTSMI

DATE: 7/21/2023

C.O.#: ANTSMI00006

P/N: ANTSMI00006.OA

1) DO NOT SCALE FROM THIS DRAWING.



CONFIDENTIAL

CREATED BY: BOHL CRANE INC

GORBEL

600 FISHERS RUN
P.O. BOX 593
FISHERS, NY 14453-0593

MT400-W16-W12-20

CAPACITY: 3 TON

SPAN: 10'

QUANTITY: 1

SHIPPING WT.: 944.58 LBS

THRUST & PULL: 8.057 Kips

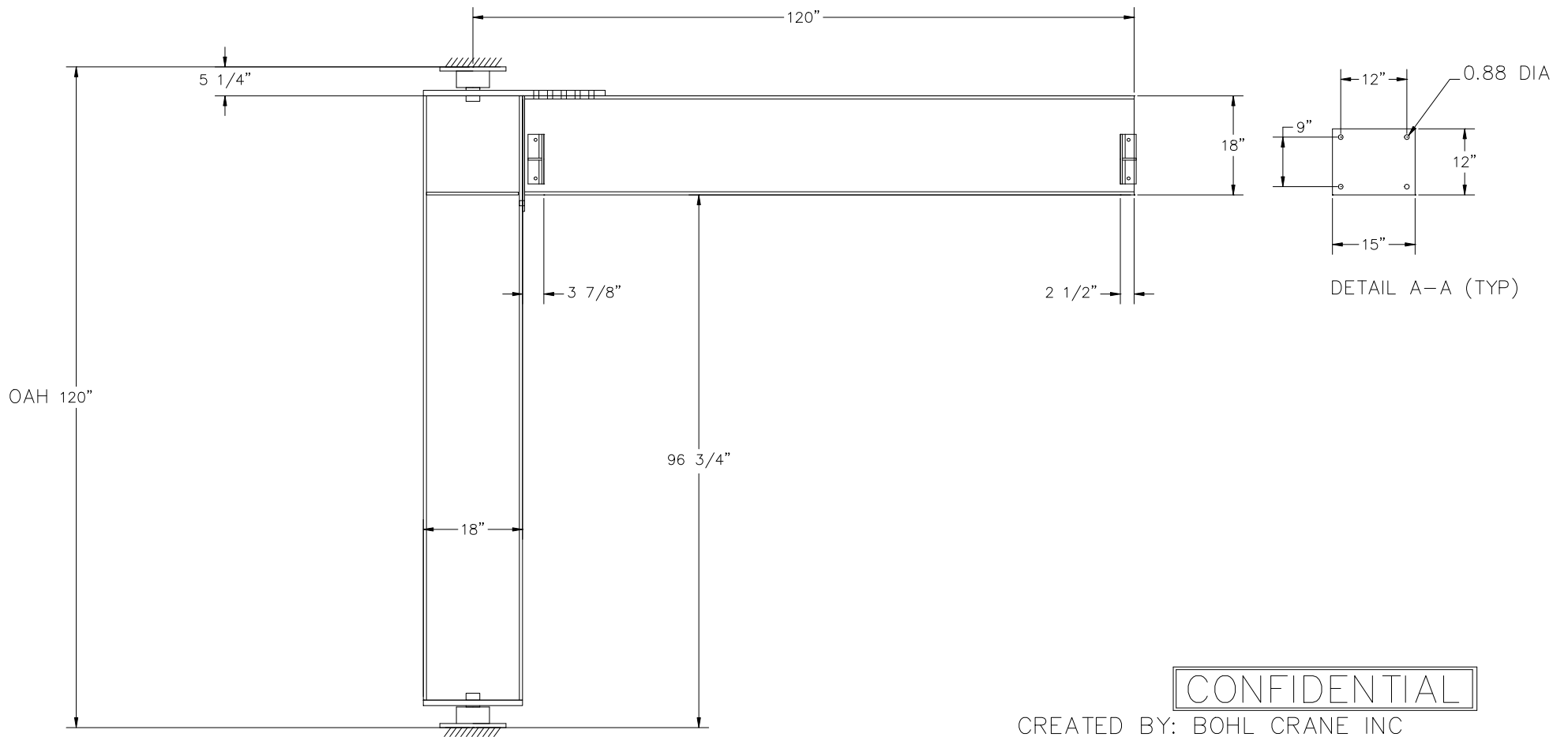
DRAWN: ANTSMI

DATE: 7/21/2023

C.O.#: ANTSMI00006

P/N: ANTSMI00006.OA

1) DO NOT SCALE FROM THIS DRAWING.



CONFIDENTIAL

CREATED BY: BOHL CRANE INC

GORBEL

600 FISHERS RUN
P.O. BOX 593
FISHERS, NY 14453-0593

MT400-W18-W18-25

CAPACITY: 5 TON

SPAN: 10'

QUANTITY: 1

SHIPPING WT.: 1241.28 LBS

THRUST & PULL: 13.455 Kips

DRAWN: ANTSMI

DATE: 7/21/2023

C.O.#: ANTSMI00006

P/N: ANTSMI00006.OA

1) DO NOT SCALE FROM THIS DRAWING.