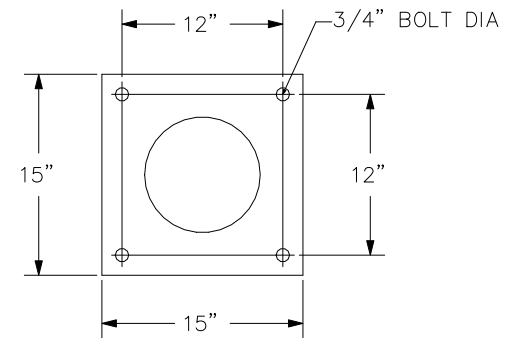


HOIST HANGER BRACKET
NOT TO SCALE



4 BOLT
BASE BOLT
PATTERN
VIEW A-A
NOT TO SCALE

CONFIDENTIAL

CREATED BY: BOHL CRANE INC

GORBEL

600 FISHERS RUN
P.O. BOX 593
FISHERS, NY 14453-0593

PPRO-FS-150-10-10-B

CAPACITY: 150 LBS.

SPAN: 10 FT

QUANTITY: 1

SHIPPING WT.: 644 LBS.

THRUST & PULL: 1417 LBS.

DRAWN: GORBEL

DATE: 7/3/2018

C.O.#: mbersh00750

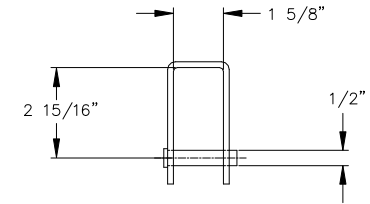
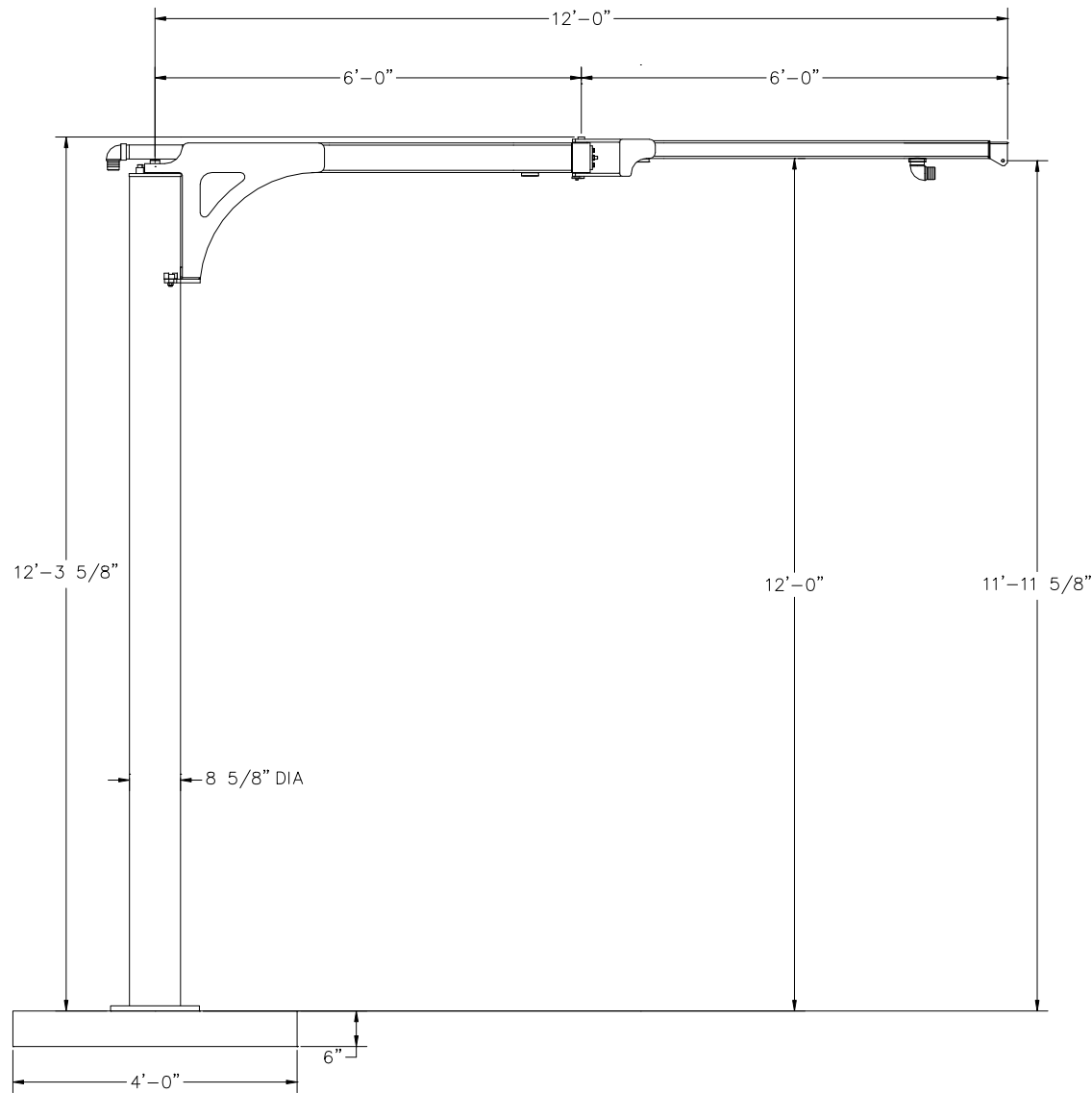
P/N: mbersh00750.0A

150 LBS. LB CAPACITY

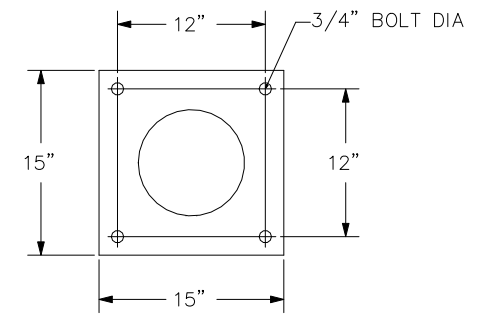
NOTES:

1) JIB CRANE FOUNDATION REQUIREMENTS ARE BASED ON A SOIL PRESSURE OF 2500 LBS PER SQUARE FOOT. CONCRETE RECOMMENDED FOR JIB CRANE FOUNDATION IS 3000 LBS PER SQUARE INCH OF COMPRESSIVE FORCE.

2) DO NOT SCALE FROM THIS DRAWING.



HOIST HANGER BRACKET
NOT TO SCALE



4 BOLT
BASE BOLT
PATTERN
VIEW A-A
NOT TO SCALE

CONFIDENTIAL

CREATED BY: BOHL CRANE INC

GORBEL

600 FISHERS RUN
P.O. BOX 593
FISHERS, NY 14453-0593

PPRO-FS-150-12-12-B

CAPACITY: 150 LBS.

SPAN: 12 FT

QUANTITY: 1

SHIPPING WT.: 730 LBS.

THRUST & PULL: 1732 LBS.

DRAWN: GORBEL

DATE: 7/3/2018

C.O.#: mbersh00750

P/N: mbersh00750.0A

150 LBS. LB CAPACITY

NOTES:

1) JIB CRANE FOUNDATION REQUIREMENTS ARE BASED ON A SOIL PRESSURE OF 2500 LBS PER SQUARE FOOT. CONCRETE RECOMMENDED FOR JIB CRANE FOUNDATION IS 3000 LBS PER SQUARE INCH OF COMPRESSIVE FORCE.

2) DO NOT SCALE FROM THIS DRAWING.