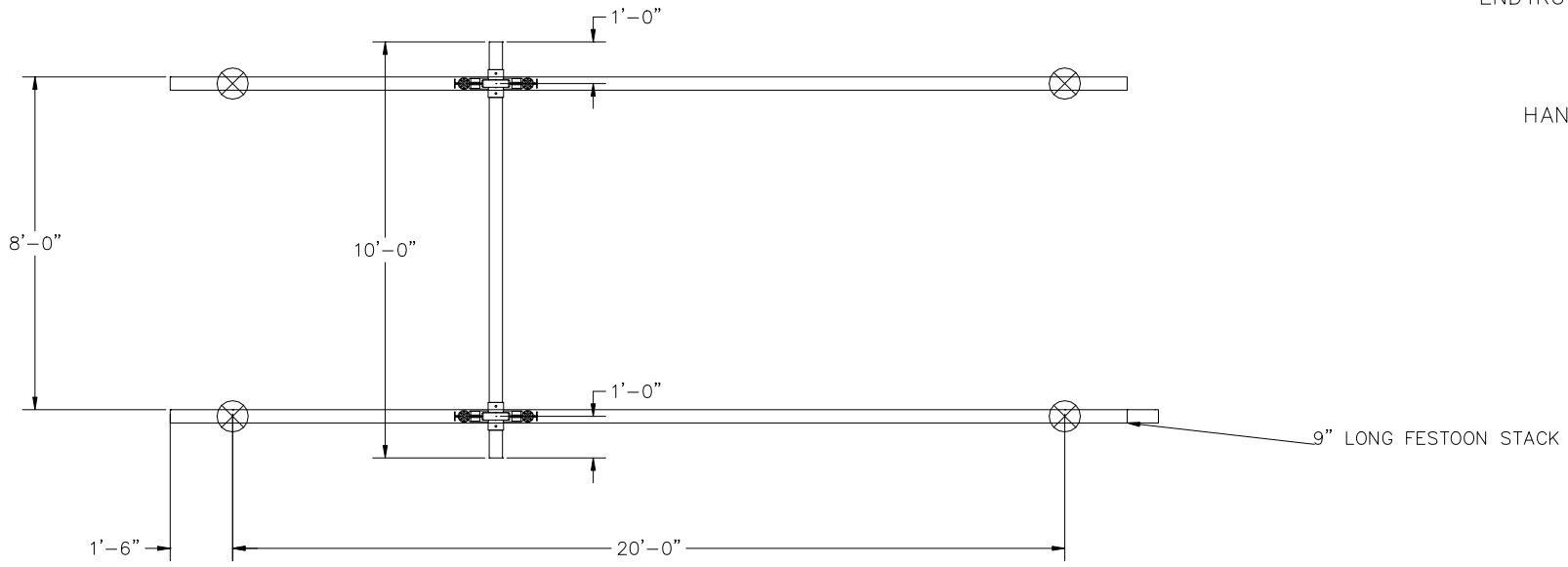


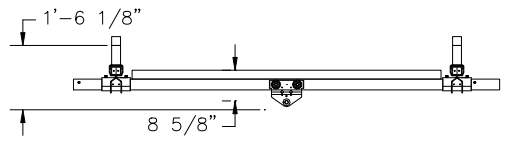
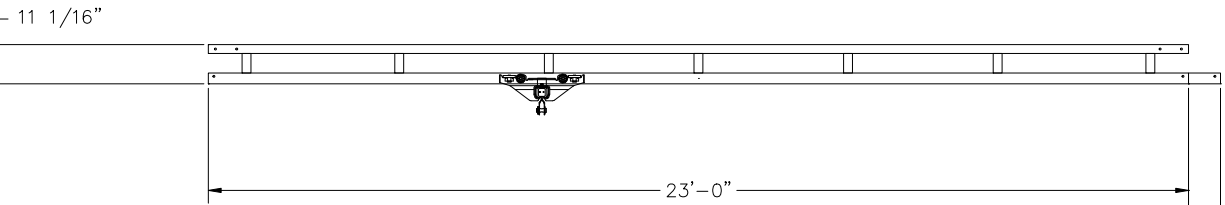
SWAY BRACING IS REQUIRED., REFER TO MANUAL.
 HANGER DETAIL SHOWN IS OUR STANDARD DESIGN AND MAY NOT
 REPRESENT THE ACTUAL HANGER DESIGN UTILIZED ON THIS SYSTEM.

NOTE C: MINIMUM THD ROD DROP MUST MAINTAIN 3" OF
 CLEARANCE BETWEEN BRIDGE AND LOWEST OBSTRUCTION.
 BRIDGE TROLLEY TRAVEL IS 8'-2 7/16"
 ENDTRUCK TRAVEL IS 20'-5 5/8"

CONFIDENTIAL



HANGER LOAD: 1630 LBS



CRANE INFORMATION	
CAPACITY: 1000 LBS/BR	
BRIDGE OAL: 10'	
BRIDGE SERIES: 1000	
RUNWAY OAL: 23'	
RUNWAY SERIES: 1000	
TOLERANCE: ±1/8	BY: GORBEL
QUANTITY: 1	DATE: JUL 02, 2018
GLCS1000-10-23	LINE #:1
BOHL CRANE INC	

GORBEL

600 FISHERS RUN
 P.O. BOX 593
 FISHERS, NY 14453-0593

GENERAL ARRANGEMENT

HANGERS ARE ON 20' CENTERS MAXIMUM WITH A
 48" CANTILEVER ON EACH END STANDARD.
 X = HANGER POINT
 HANGER POSITION TOLERANCE = +/- 3 1/2"
 HANGERS MUST BE WITHIN 48" OF SPLICE JOINT
 DO NOT SCALE FROM DRAWING.
 DIMENSIONS ARE STEEL TO STEEL AND MAY VARY.

