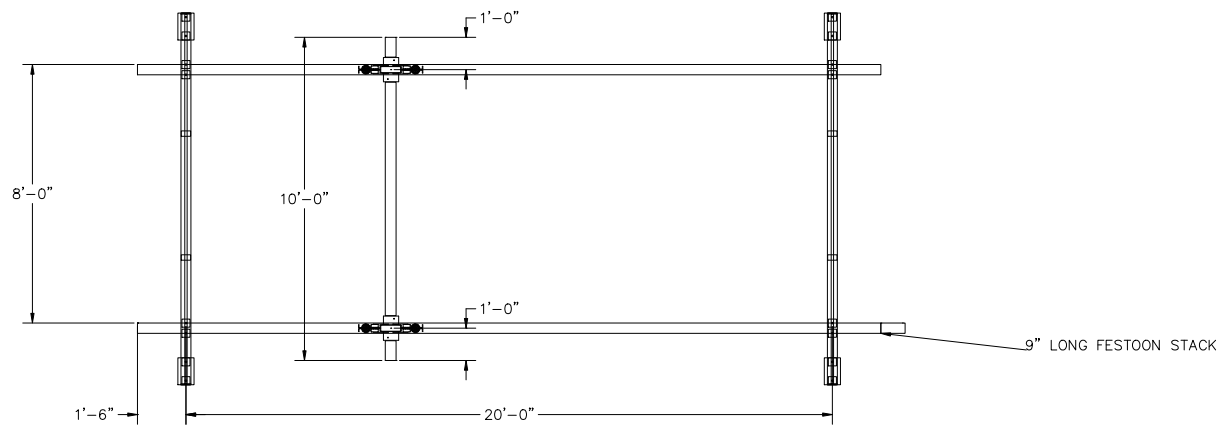


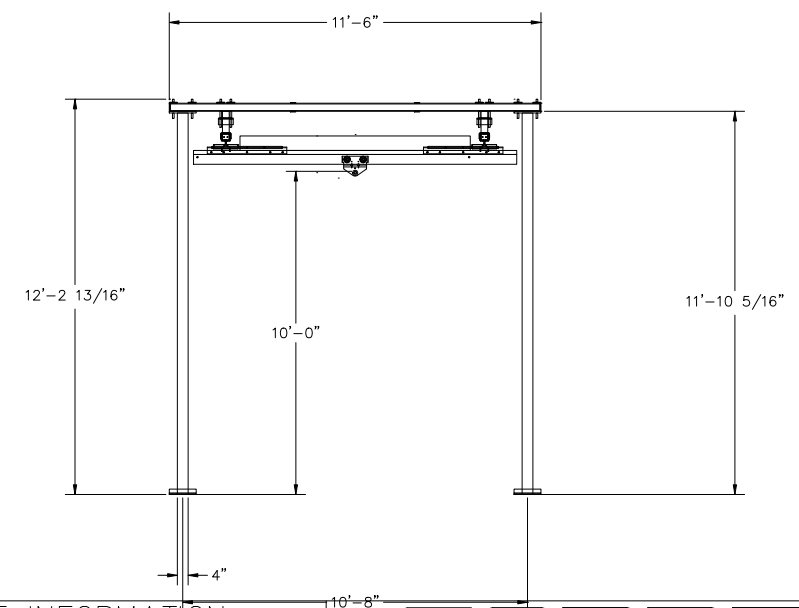
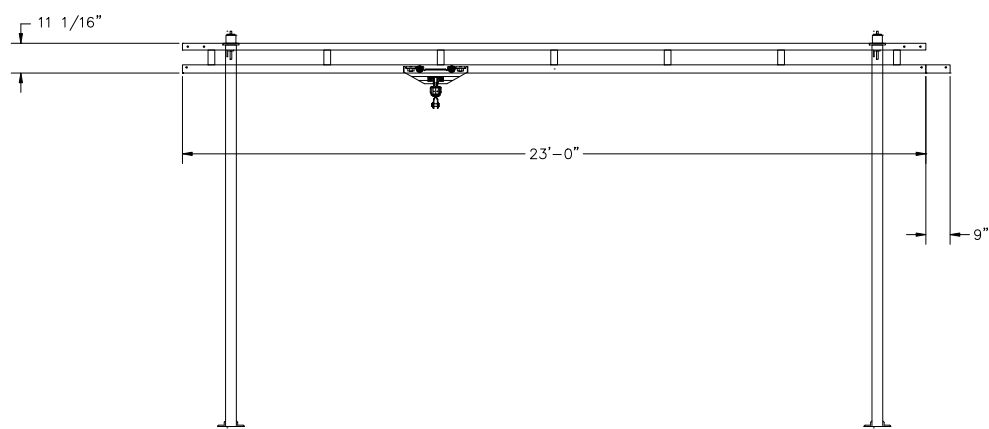
CONFIDENTIAL

SUPPORT ASSEMBLIES ARE DESIGNED TO AISC SPECIFICATIONS.
 IF NO MOVEMENT OF SUPPORT ASSEMBLIES IS REQUIRED, THEN
 BRACING TO BUILDING STEEL IS RECOMMENDED (NOT INCLUDED).
 SYSTEM IS UTILIZING NEW ALUMINUM TRACK BRIDGE(S)

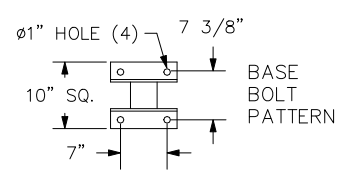


BRIDGE TROLLEY TRAVEL IS 7'-3 13/16"
 ENDTRUCK TRAVEL IS 20'-5 5/8"

ANCHOR BOLT LOAD: 2689 LBS



HANGERS ARE ON 20' CENTERS MAXIMUM WITH A 48" CANTILEVER ON EACH END STANDARD.
 HANGER POSITION TOLERANCE = +/- 2 1/2"
 HANGERS MUST BE WITHIN 48" OF SPLICE JOINT
 DO NOT SCALE FROM DRAWING.
 DIMENSIONS ARE STEEL TO STEEL AND MAY VARY.



CRANE INFORMATION	
CAPACITY: 1000 LBS/BR	
BRIDGE OAL: 10'	
BRIDGE SERIES: 1000	
RUNWAY OAL: 23'	
RUNWAY SERIES: 1000	
TOLERANCE: ±1/8	
QUANTITY: 1	
GLCS-FS-1000-10AL-23-10	
BOHL CRANE INC	

GORBEL
 600 FISHERS RUN
 P.O. BOX 593
 FISHERS, NY 14453-0593

GENERAL ARRANGEMENT	
BY: GORBEL	DATE: JUL 02, 2018
LINE #:1	P/N:mbersh00750.1A