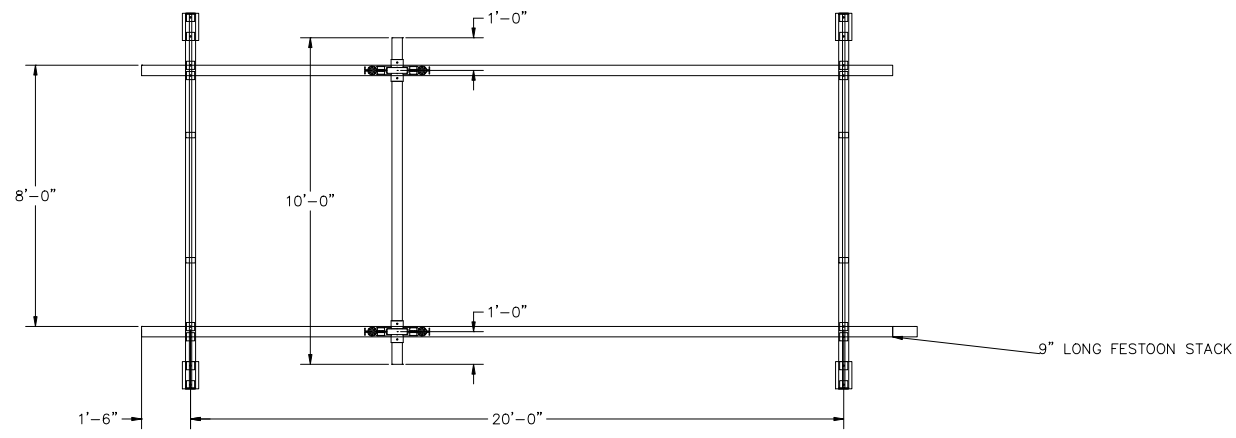


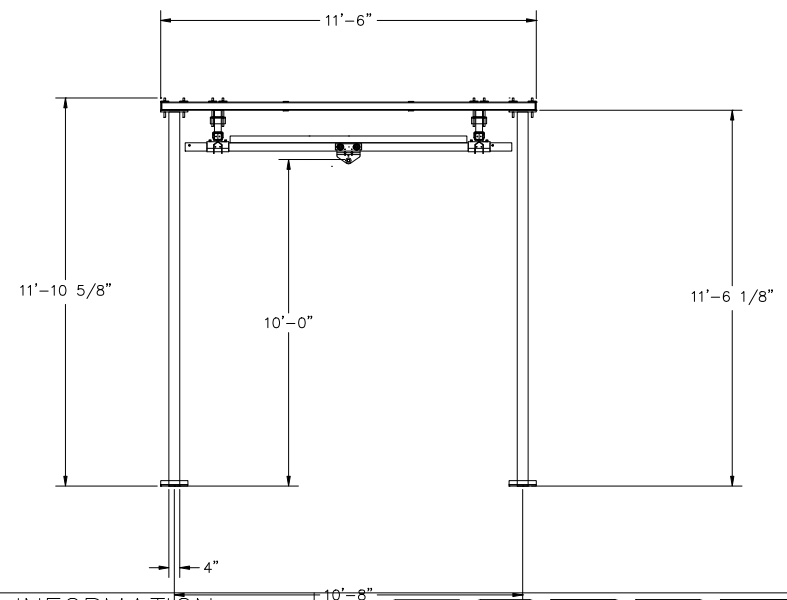
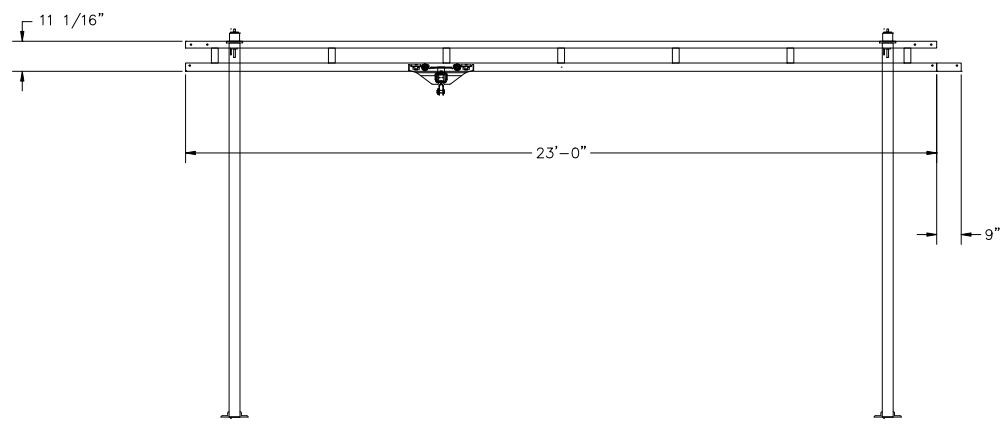
CONFIDENTIAL

SUPPORT ASSEMBLIES ARE DESIGNED TO AISC SPECIFICATIONS.  
IF NO MOVEMENT OF SUPPORT ASSEMBLIES IS REQUIRED, THEN  
BRACING TO BUILDING STEEL IS RECOMMENDED (NOT INCLUDED).

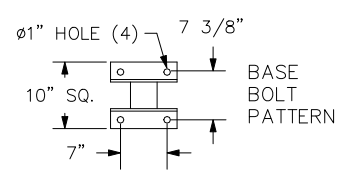


BRIDGE TROLLEY TRAVEL IS 8'-2 7/16"  
ENDTRUCK TRAVEL IS 20'-5 5/8"

ANCHOR BOLT LOAD: 2695 LBS



HANGERS ARE ON 20' CENTERS MAXIMUM WITH A 48" CANTILEVER ON EACH END STANDARD.  
HANGER POSITION TOLERANCE = +/- 2 1/2"  
HANGERS MUST BE WITHIN 48" OF SPLICE JOINT  
DO NOT SCALE FROM DRAWING.  
DIMENSIONS ARE STEEL TO STEEL AND MAY VARY.



CRANE INFORMATION	
CAPACITY: 1000 LBS/BR	
BRIDGE OAL: 10'	
BRIDGE SERIES: 1000	
RUNWAY OAL: 23'	
RUNWAY SERIES: 1000	
TOLERANCE: ±1/8	
QUANTITY: 1	
GLCS-FS-1000-10-23-10	
BOHL CRANE INC	

**GORBEL**  
600 FISHERS RUN  
P.O. BOX 593  
FISHERS, NY 14453-0593

GENERAL ARRANGEMENT	
BY: GORBEL	DATE: JUL 02, 2018
LINE #:1	P/N:mbersh00750.1A