

CONFIDENTIAL

CREATED BY: BOHL CRANE INC

GORBEL

600 FISHERS RUN
 P.O. BOX 593
 FISHERS, NY 14453-0593

FS300-12-W8

CAPACITY: 1 TONS

SPAN: 10 FT

H.U.B.: 10 FT

QUANTITY: 1

SHIPPING WT.: 912 LBS

DRAWN:

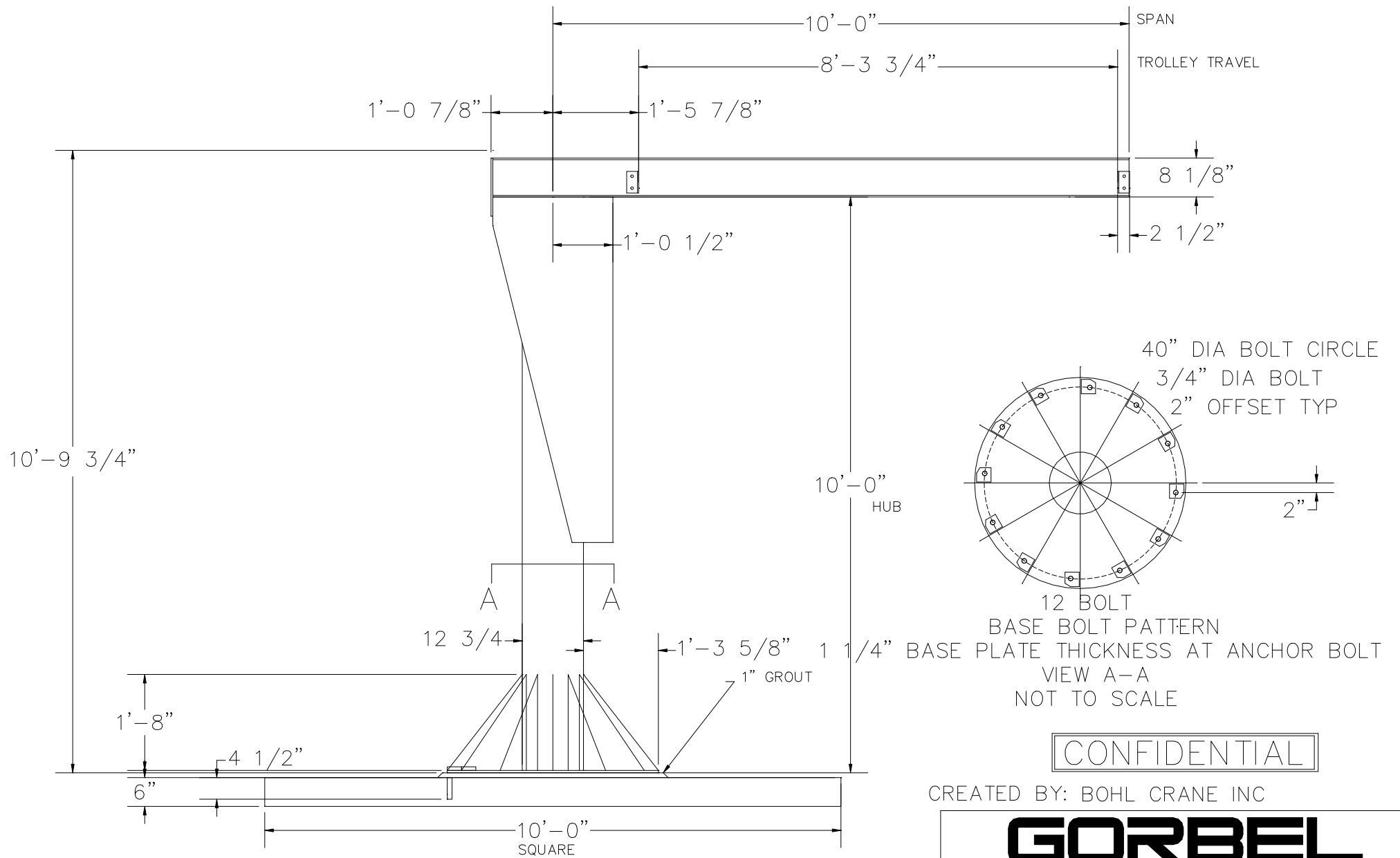
DATE: 7/24/2023

C.O.#: ANTSMI00006

P/N: ANTSMI00006.0A

W8 @ 18 #/FT

- 1) JIB CRANE FOUNDATION REQUIREMENTS ARE BASED ON A SOIL PRESSURE OF 2500 LBS PER SQUARE FOOT. CONCRETE RECOMMENDED FOR JIB CRANE FOUNDATION IS 3000 LBS PER SQUARE INCH OF COMPRESSIVE FORCE.
- 2) DO NOT SCALE FROM THIS DRAWING.
- 3) OVERALL HEIGHT = 10.81 FT



CONFIDENTIAL

CREATED BY: BOHL CRANE INC

GORBEL

600 FISHERS RUN
 P.O. BOX 593
 FISHERS, NY 14453-0593

FS300-NP6-12-W8

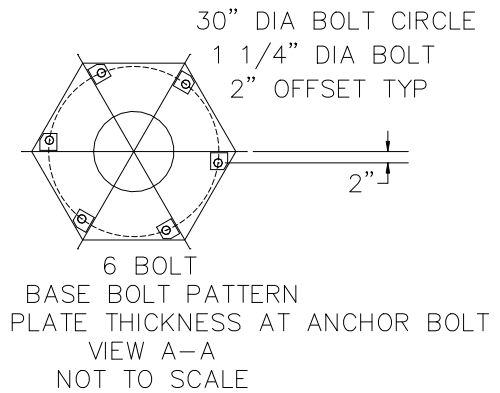
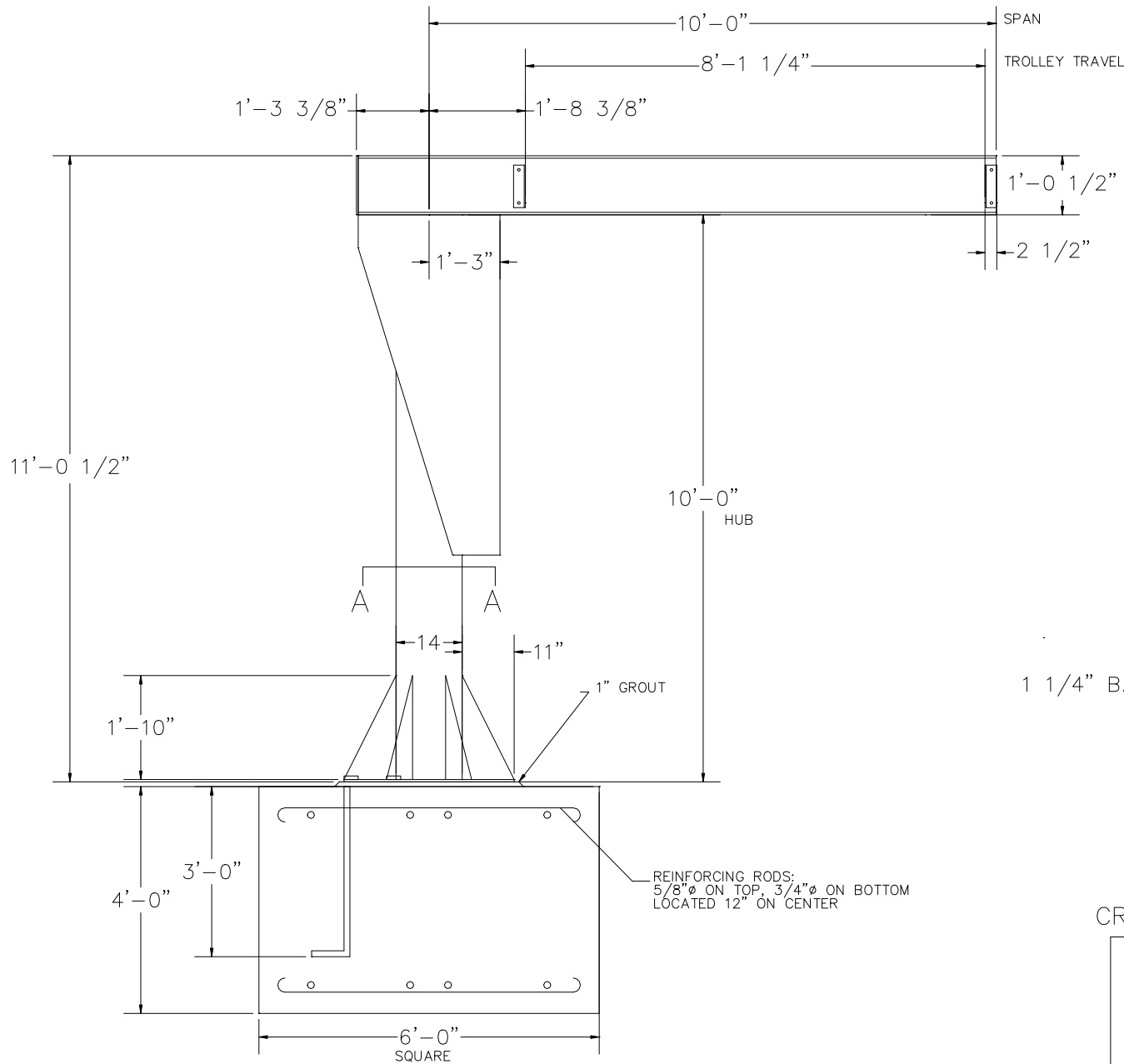
CAPACITY: 1 TONS
 SPAN: 10 FT
 H.U.B.: 10 FT
 QUANTITY: 1
 SHIPPING WT.: 1151 LBS

DRAWN:	DATE: 7/24/2023
C.O.#: ANTSMI00006	P/N: ANTSMI00006.0A

- FOUNDATIONLESS REQUIREMENTS:
- CENTERED ON A SQUARE FOOT AREA THAT IS FREE FROM CRACKS, SEAMS, AND WALLS.
 - REINFORCED CONCRETE WITH COMPRESSIVE STRENGTH OF 3000 PSI AND SOIL PRESSURE OF 2500 PSF.
 - CHEMICAL ANCHOR BOLTS HIT-HY 200 +3/4" HAS-B-105.
 - CONCRETE MUST CONTAIN A MINIMUM OF WIRE MESH REINFORCEMENT.
 - IT IS THE RESPONSIBILITY OF THE DEALER AND END USER TO VALIDATE THE MOUNTING STRUCTURE IS SUFFICIENT TO RESIST CRANE LOADINGS. GORBEL ASSUMES NO LIABILITY FOR FAILURES OF EQUIPMENT OR STRUCTURES NOT SUPPLIED BY GORBEL.

- 1) DO NOT SCALE FROM THIS DRAWING.
- 2) OVERALL HEIGHT = 10.81 FT

W8 @ 18 #/FT



CONFIDENTIAL

CREATED BY: BOHL CRANE INC

GORBEL

600 FISHERS RUN
 P.O. BOX 593
 FISHERS, NY 14453-0593

FS300-14-W12

CAPACITY: 2 TONS

SPAN: 10 FT

H.U.B.: 10 FT

QUANTITY: 1

SHIPPING WT.: 1388 LBS

DRAWN:

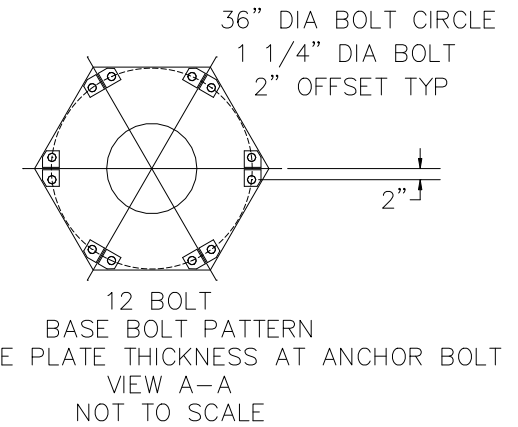
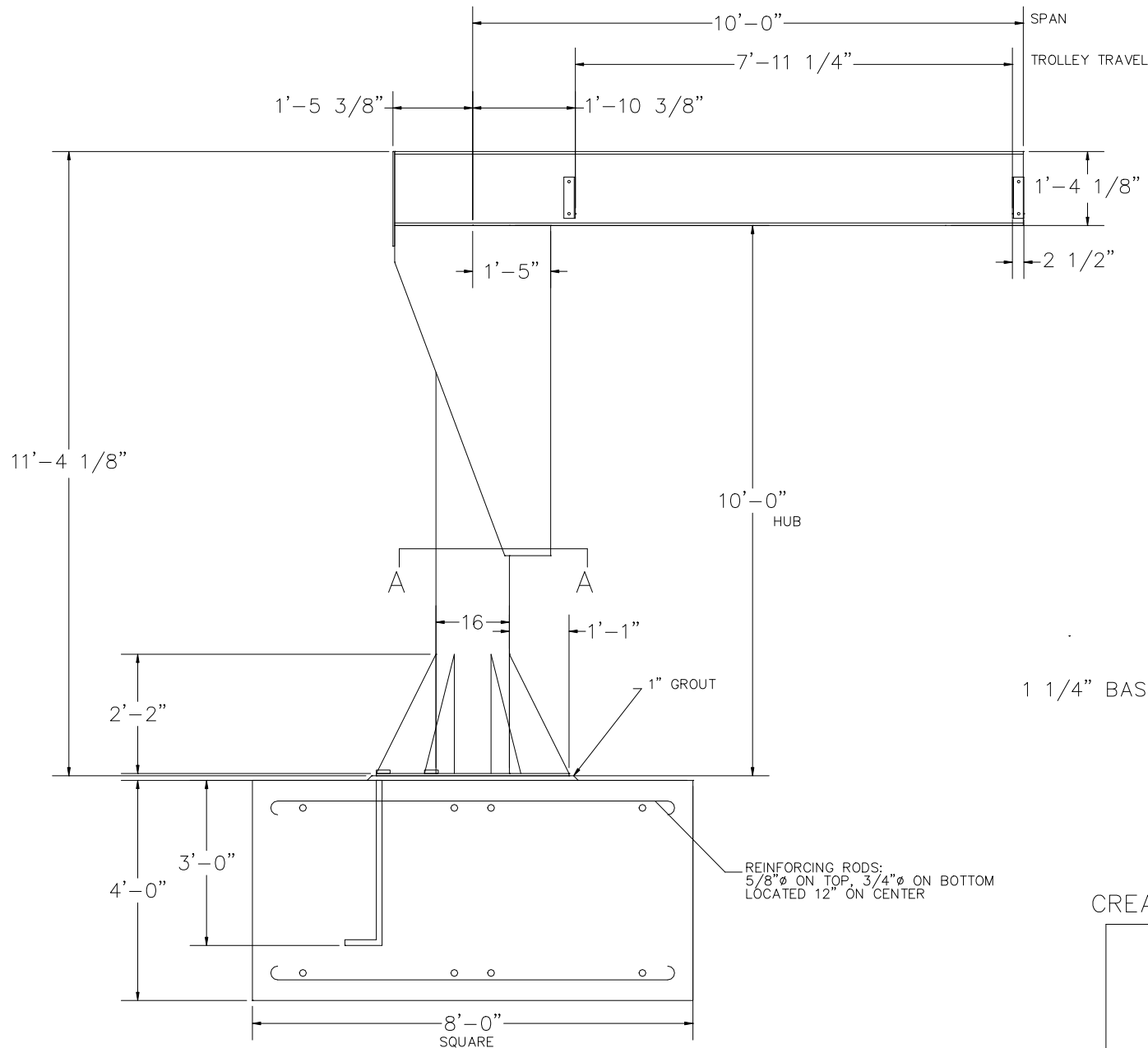
DATE: 7/24/2023

C.O.#: ANTSMI00006

P/N: ANTSMI00006.0A

- 1) JIB CRANE FOUNDATION REQUIREMENTS ARE BASED ON A SOIL PRESSURE OF 2500 LBS PER SQUARE FOOT. CONCRETE RECOMMENDED FOR JIB CRANE FOUNDATION IS 3000 LBS PER SQUARE INCH OF COMPRESSIVE FORCE.
- 2) DO NOT SCALE FROM THIS DRAWING.
- 3) OVERALL HEIGHT = 11.042 FT

W12 @ 35 #/FT



CONFIDENTIAL

CREATED BY: BOHL CRANE INC

GORBEL

600 FISHERS RUN
 P.O. BOX 593
 FISHERS, NY 14453-0593

FS300-16-W16

CAPACITY: 3 TONS

SPAN: 10 FT

H.U.B.: 10 FT

QUANTITY: 1

SHIPPING WT.: 1786 LBS

DRAWN:

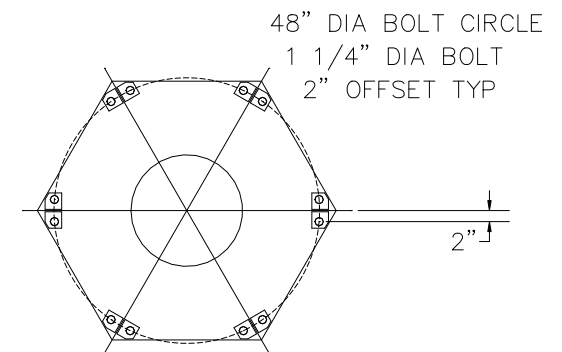
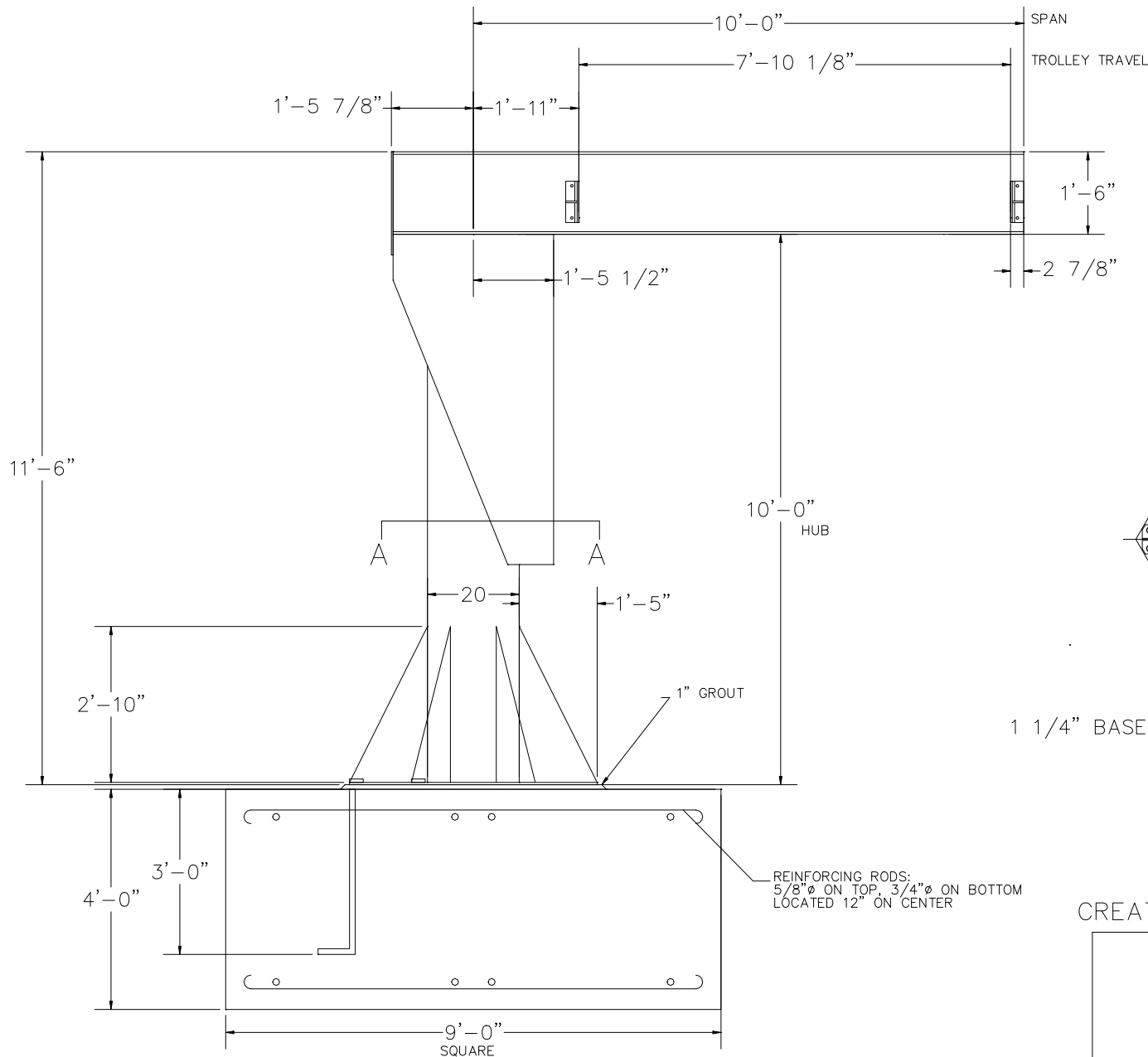
DATE: 7/24/2023

C.O.#: ANTSMI00006

P/N: ANTSMI00006.0A

W16 @ 45 #/FT

- JIB CRANE FOUNDATION REQUIREMENTS ARE BASED ON A SOIL PRESSURE OF 2500 LBS PER SQUARE FOOT. CONCRETE RECOMMENDED FOR JIB CRANE FOUNDATION IS 3000 LBS PER SQUARE INCH OF COMPRESSIVE FORCE.
- DO NOT SCALE FROM THIS DRAWING.
- OVERALL HEIGHT = 11.344 FT



12 BOLT
BASE BOLT PATTERN
1 1/4" BASE PLATE THICKNESS AT ANCHOR BOLT
VIEW A-A
NOT TO SCALE

CONFIDENTIAL

CREATED BY: BOHL CRANE INC

GORBEL

600 FISHERS RUN
P.O. BOX 593
FISHERS, NY 14453-0593

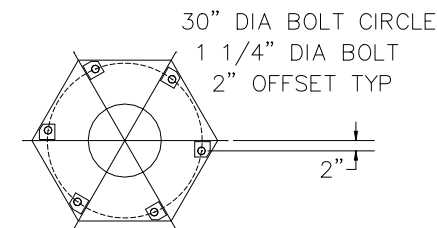
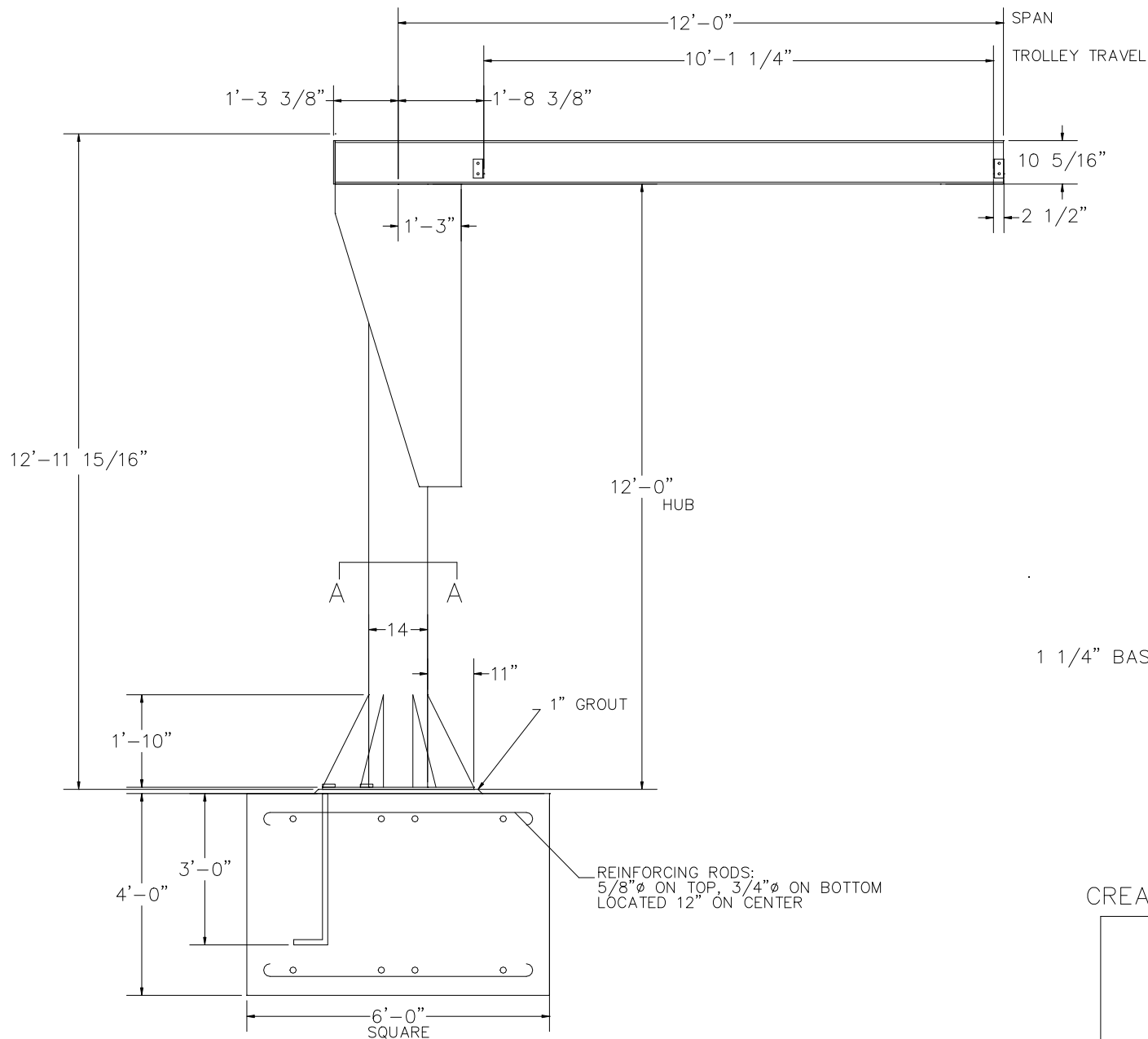
FS300-20-W18

CAPACITY: 5 TONS
SPAN: 10 FT
H.U.B.: 10 FT
QUANTITY: 1
SHIPPING WT.: 2660 LBS

DRAWN:	DATE: 7/24/2023
C.O.#: ANTSMI00006	P/N: ANTSMI00006.0A

- 1) JIB CRANE FOUNDATION REQUIREMENTS ARE BASED ON A SOIL PRESSURE OF 2500 LBS PER SQUARE FOOT. CONCRETE RECOMMENDED FOR JIB CRANE FOUNDATION IS 3000 LBS PER SQUARE INCH OF COMPRESSIVE FORCE.
- 2) DO NOT SCALE FROM THIS DRAWING.
- 3) OVERALL HEIGHT = 11.5 FT

W18 @ 50 #/FT



6 BOLT
 BASE BOLT PATTERN
 1 1/4" BASE PLATE THICKNESS AT ANCHOR BOLT
 VIEW A-A
 NOT TO SCALE

CONFIDENTIAL

CREATED BY: BOHL CRANE INC

GORBEL

600 FISHERS RUN
 P.O. BOX 593
 FISHERS, NY 14453-0593

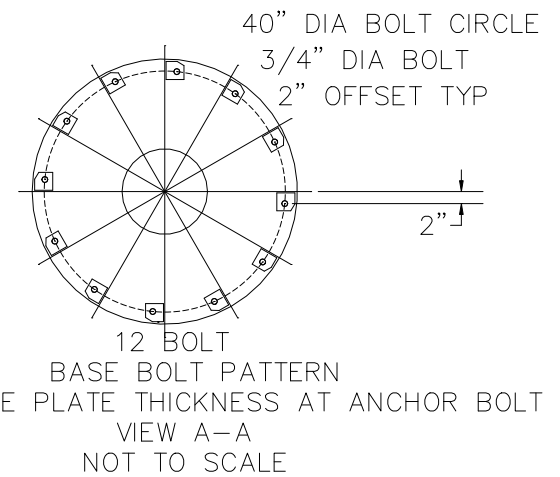
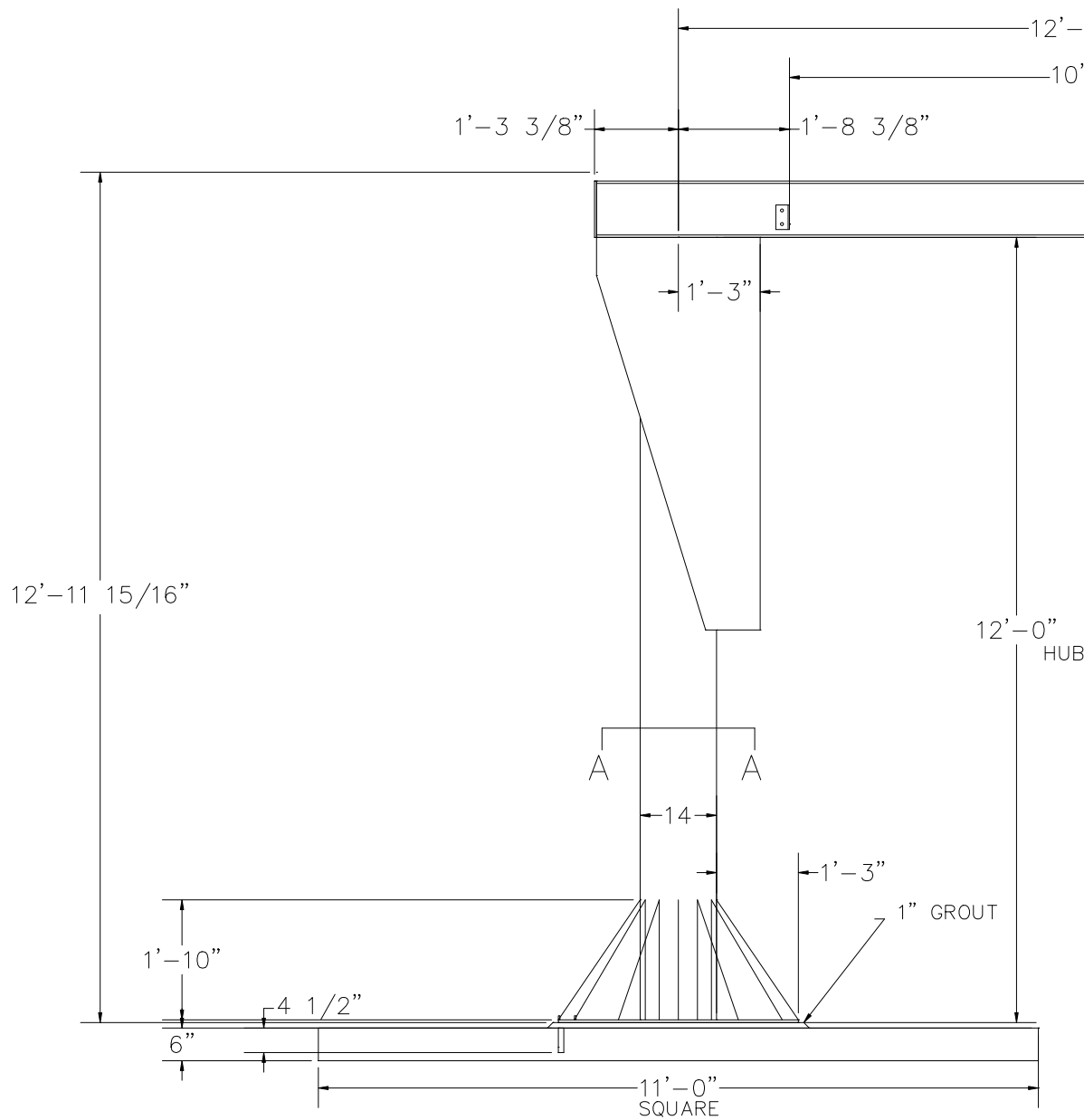
FS300-14-W10

CAPACITY: 1 TONS
 SPAN: 12 FT
 H.U.B.: 12 FT
 QUANTITY: 1
 SHIPPING WT.: 1437 LBS

DRAWN:	DATE: 7/24/2023
C.O.#: ANTSMI00006	P/N: ANTSMI00006.0A

- JIB CRANE FOUNDATION REQUIREMENTS ARE BASED ON A SOIL PRESSURE OF 2500 LBS PER SQUARE FOOT. CONCRETE RECOMMENDED FOR JIB CRANE FOUNDATION IS 3000 LBS PER SQUARE INCH OF COMPRESSIVE FORCE.
- DO NOT SCALE FROM THIS DRAWING.
- OVERALL HEIGHT = 12.996 FT

W10 @ 26 #/FT



CONFIDENTIAL

CREATED BY: BOHL CRANE INC

GORBEL

600 FISHERS RUN
P.O. BOX 593
FISHERS, NY 14453-0593

FS300-NP6-14-W10

CAPACITY: 1 TONS
SPAN: 12 FT
H.U.B.: 12 FT
QUANTITY: 1
SHIPPING WT.: 1632 LBS

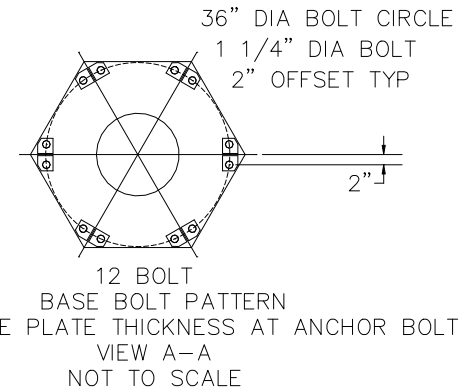
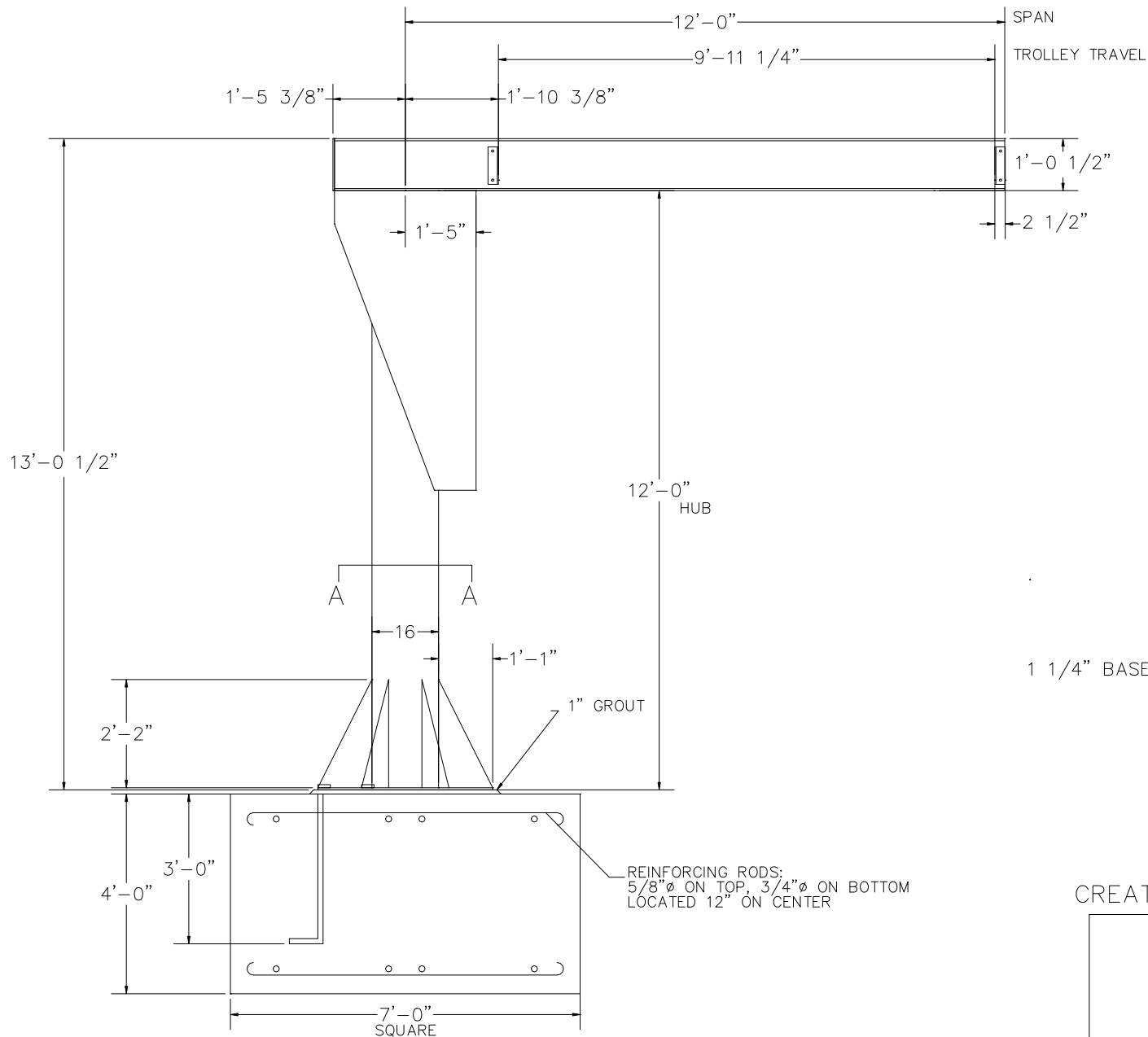
DRAWN:	DATE: 7/24/2023
C.O.#: ANTSMI00006	P/N: ANTSMI00006.0A

FOUNDATIONLESS REQUIREMENTS:

- CENTERED ON A SQUARE FOOT AREA THAT IS FREE FROM CRACKS, SEAMS, AND WALLS.
- REINFORCED CONCRETE WITH COMPRESSIVE STRENGTH OF 3000 PSI AND SOIL PRESSURE OF 2500 PSF.
- CHEMICAL ANCHOR BOLTS HIT-HY 200 +3/4" HAS-B-105.
- CONCRETE MUST CONTAIN A MINIMUM OF WIRE MESH REINFORCEMENT.
- IT IS THE RESPONSIBILITY OF THE DEALER AND END USER TO VALIDATE THE MOUNTING STRUCTURE IS SUFFICIENT TO RESIST CRANE LOADINGS. GORBEL ASSUMES NO LIABILITY FOR FAILURES OF EQUIPMENT OR STRUCTURES NOT SUPPLIED BY GORBEL.

- 1) DO NOT SCALE FROM THIS DRAWING.
- 2) OVERALL HEIGHT = 12.996 FT

W10 @ 26 #/FT



CONFIDENTIAL

CREATED BY: BOHL CRANE INC

GORBEL

600 FISHERS RUN
 P.O. BOX 593
 FISHERS, NY 14453-0593

FS300-16-W12

CAPACITY: 2 TONS

SPAN: 12 FT

H.U.B.: 12 FT

QUANTITY: 1

SHIPPING WT.: 1855 LBS

DRAWN:

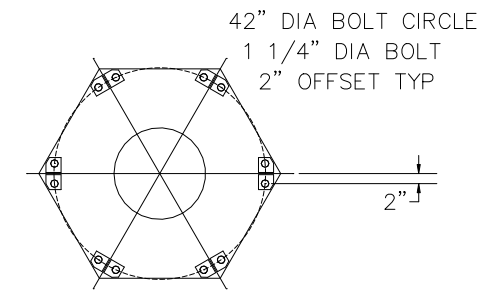
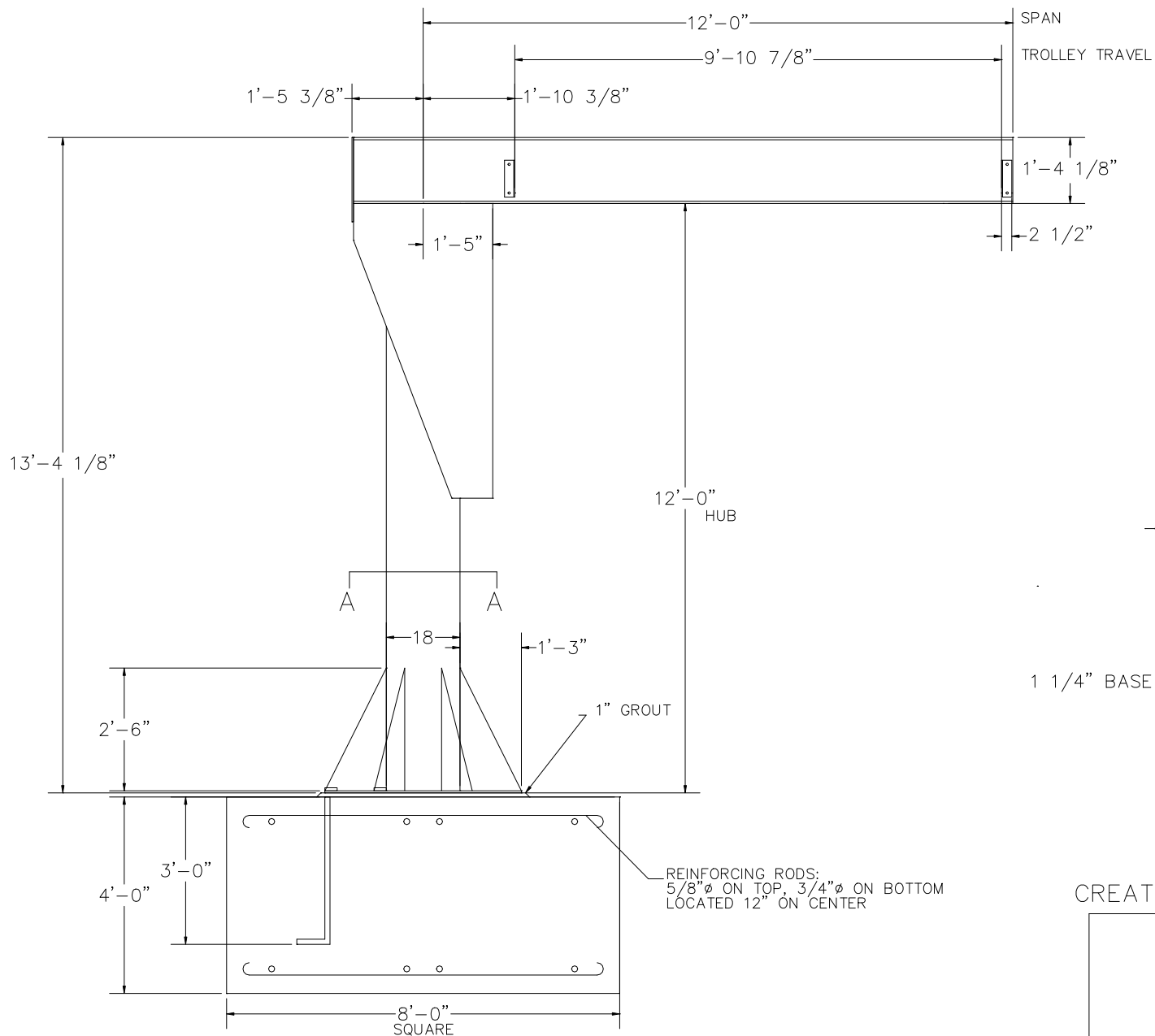
DATE: 7/24/2023

C.O.#: ANTSMI00006

P/N: ANTSMI00006.0A

- JIB CRANE FOUNDATION REQUIREMENTS ARE BASED ON A SOIL PRESSURE OF 2500 LBS PER SQUARE FOOT. CONCRETE RECOMMENDED FOR JIB CRANE FOUNDATION IS 3000 LBS PER SQUARE INCH OF COMPRESSIVE FORCE.
- DO NOT SCALE FROM THIS DRAWING.
- OVERALL HEIGHT = 13.042 FT

W12 @ 35 #/FT



42" DIA BOLT CIRCLE
 1 1/4" DIA BOLT
 2" OFFSET TYP
 12 BOLT
 BASE BOLT PATTERN
 1 1/4" BASE PLATE THICKNESS AT ANCHOR BOLT
 VIEW A-A
 NOT TO SCALE

CONFIDENTIAL

CREATED BY: BOHL CRANE INC

GORBEL

600 FISHERS RUN
 P.O. BOX 593
 FISHERS, NY 14453-0593

FS300-18-W16

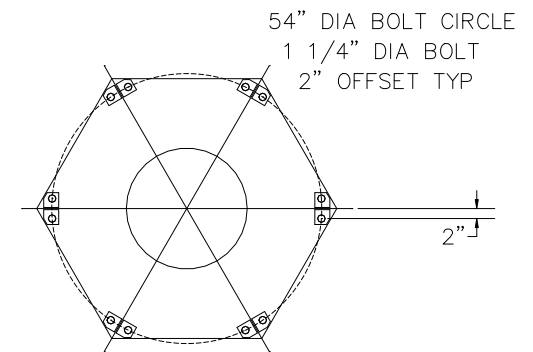
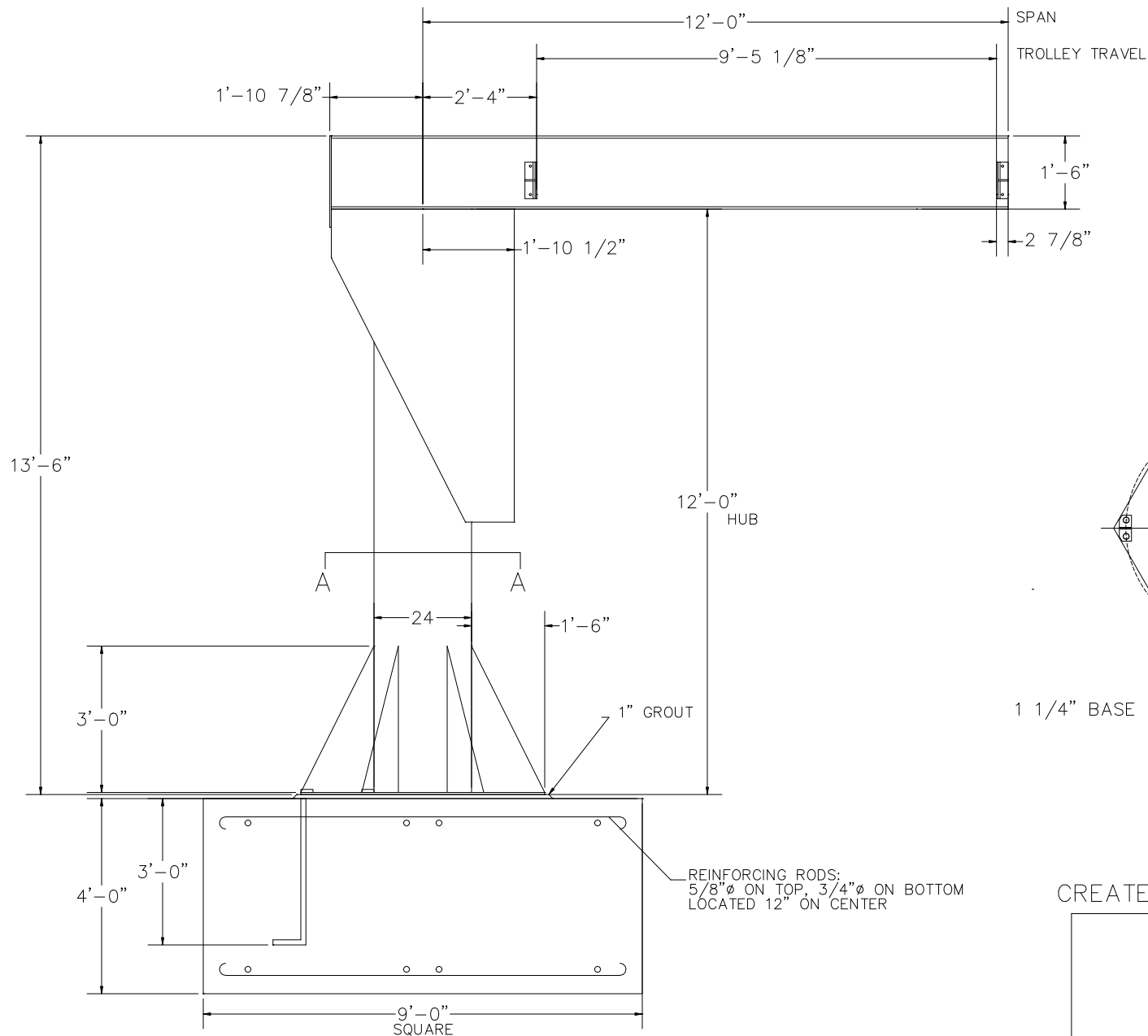
CAPACITY: 3 TONS
 SPAN: 12 FT
 H.U.B.: 12 FT
 QUANTITY: 1
 SHIPPING WT.: 2283 LBS

DRAWN:	DATE: 7/24/2023
C.O.#: ANTSMI00006	P/N: ANTSMI00006.0A

REINFORCING RODS:
 5/8" ϕ ON TOP, 3/4" ϕ ON BOTTOM
 LOCATED 12" ON CENTER

- 1) JIB CRANE FOUNDATION REQUIREMENTS ARE BASED ON A SOIL PRESSURE OF 2500 LBS PER SQUARE FOOT. CONCRETE RECOMMENDED FOR JIB CRANE FOUNDATION IS 3000 LBS PER SQUARE INCH OF COMPRESSIVE FORCE.
- 2) DO NOT SCALE FROM THIS DRAWING.
- 3) OVERALL HEIGHT = 13.344 FT

W16 @ 45 #/FT



12 BOLT
BASE BOLT PATTERN
1 1/4" BASE PLATE THICKNESS AT ANCHOR BOLT
VIEW A-A
NOT TO SCALE

CONFIDENTIAL

CREATED BY: BOHL CRANE INC

GORBEL

600 FISHERS RUN
P.O. BOX 593
FISHERS, NY 14453-0593

FS300-24-W18

CAPACITY: 5 TONS

SPAN: 12 FT

H.U.B.: 12 FT

QUANTITY: 1

SHIPPING WT.: 3561 LBS

DRAWN:

DATE: 7/24/2023

C.O.#: ANTSMI00006

P/N: ANTSMI00006.0A

- 1) JIB CRANE FOUNDATION REQUIREMENTS ARE BASED ON A SOIL PRESSURE OF 2500 LBS PER SQUARE FOOT. CONCRETE RECOMMENDED FOR JIB CRANE FOUNDATION IS 3000 LBS PER SQUARE INCH OF COMPRESSIVE FORCE.
- 2) DO NOT SCALE FROM THIS DRAWING.
- 3) OVERALL HEIGHT = 13.5 FT

W18 @ 50 #/FT