

CONFIDENTIAL

CREATED BY: BOHL CRANE INC

GORBEL

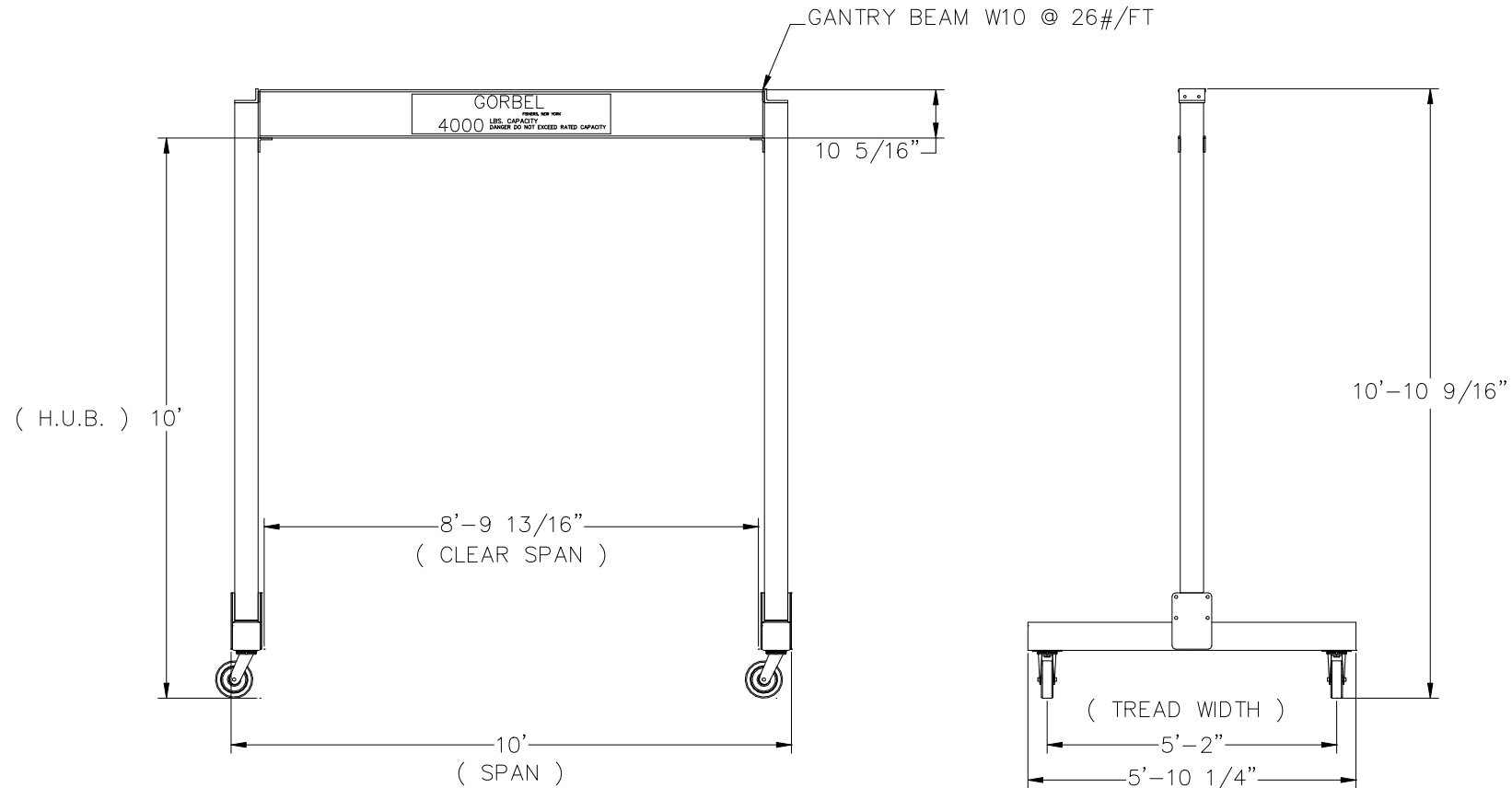
600 FISHERS RUN
P.O. BOX 593
FISHERS, NY 14453-0593

FGM-1-10-10

CAPACITY: 1 TONS
SPAN: 10 FT
H.U.B.: 10 FT
QUANTITY: 1
SHIPPING WT.: 449 LBS

DRAWN: GORBEL	DATE: 7/21/2023
C.O.#: ANTSMI00006	P/N: ANTSMI00006.0A

1) 1 TON PHENOLIC CASTERS, WITH BRAKE



CONFIDENTIAL

CREATED BY: BOHL CRANE INC

GORBEL

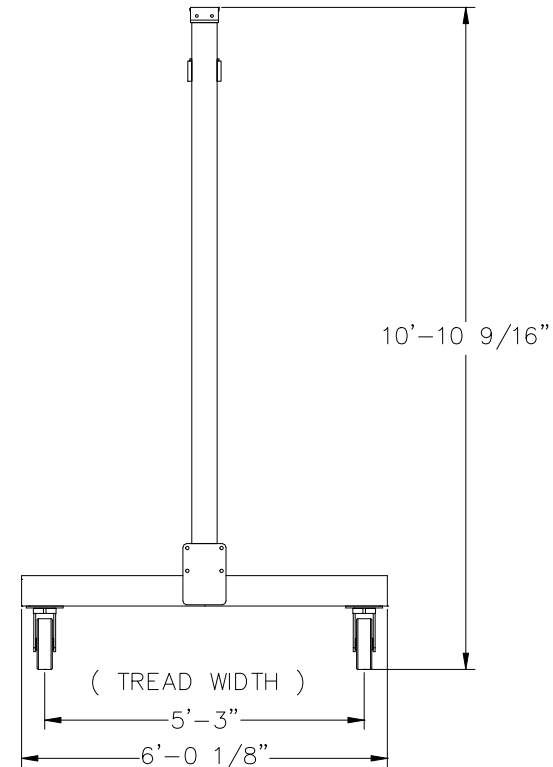
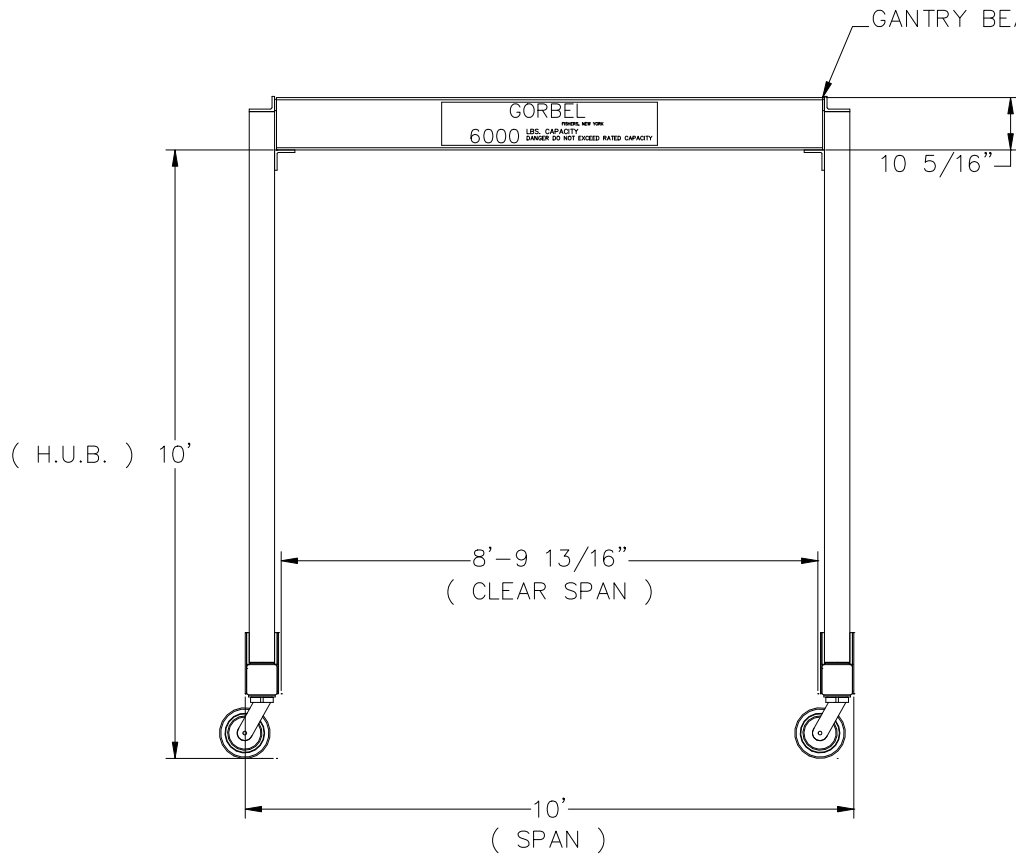
600 FISHERS RUN
P.O. BOX 593
FISHERS, NY 14453-0593

FGM-2-10-10

CAPACITY: 2 TONS
SPAN: 10 FT
H.U.B.: 10 FT
QUANTITY: 1
SHIPPING WT.: 775 LBS

DRAWN: GORBEL	DATE: 7/21/2023
C.O.#: ANTSMI00006	P/N: ANTSMI00006.0A

1) 2 TON PHENOLIC CASTERS



CONFIDENTIAL

CREATED BY: BOHL CRANE INC

GORBEL

600 FISHERS RUN
P.O. BOX 593
FISHERS, NY 14453-0593

FGM-3-10-10

CAPACITY: 3 TONS
SPAN: 10 FT
H.U.B.: 10 FT
QUANTITY: 1
SHIPPING WT.: 866 LBS

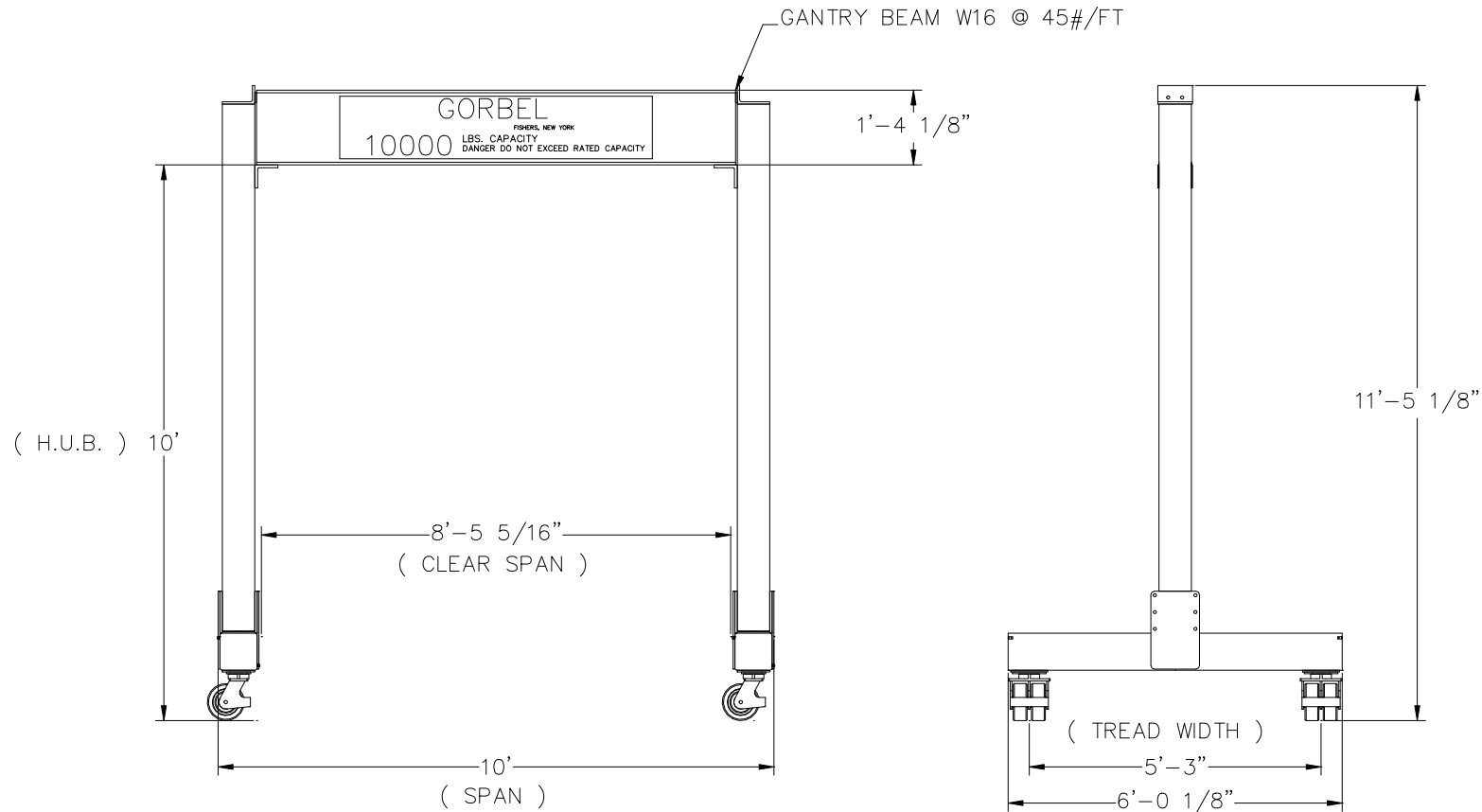
DRAWN: GORBEL

DATE: 7/21/2023

C.O.#: ANTSMI00006

P/N: ANTSMI00006.0A

1) 3 TON PHENOLIC CASTERS



CONFIDENTIAL

CREATED BY: BOHL CRANE INC

GORBEL

600 FISHERS RUN
P.O. BOX 593
FISHERS, NY 14453-0593

FGM-5-10-10

CAPACITY: 5 TONS
SPAN: 10 FT
H.U.B.: 10 FT
QUANTITY: 1
SHIPPING WT.: 1362 LBS

DRAWN: GORBEL

DATE: 7/21/2023

C.O.#: ANTSMI00006

P/N: ANTSMI00006.0A

1) 5 TON PHENOLIC CASTERS