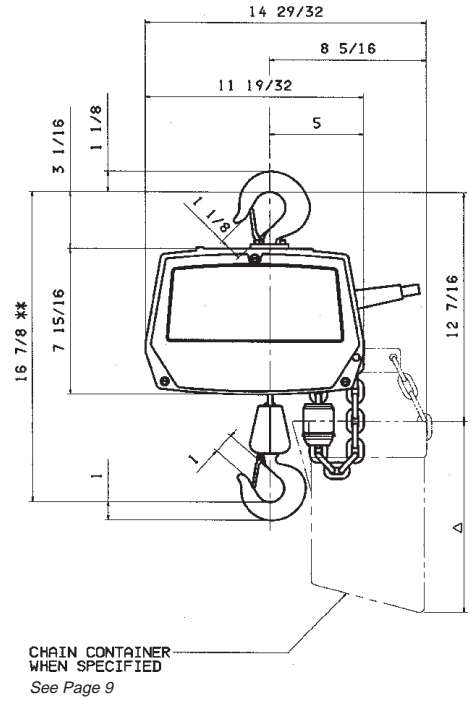
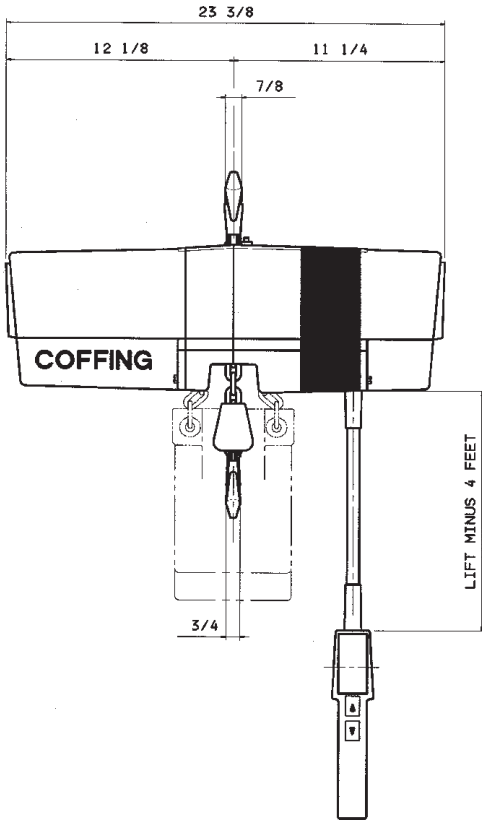
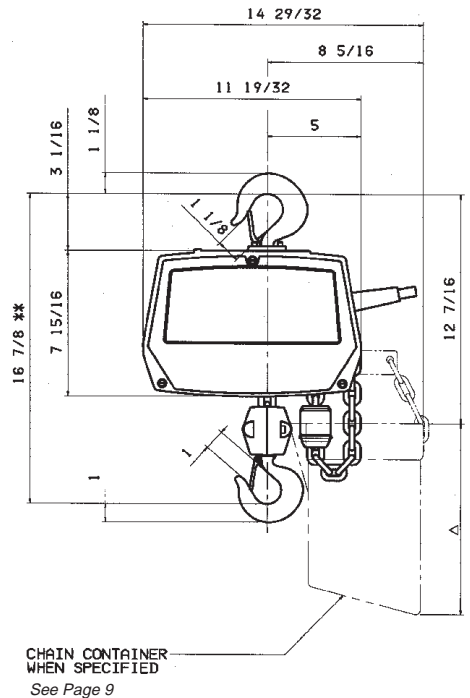
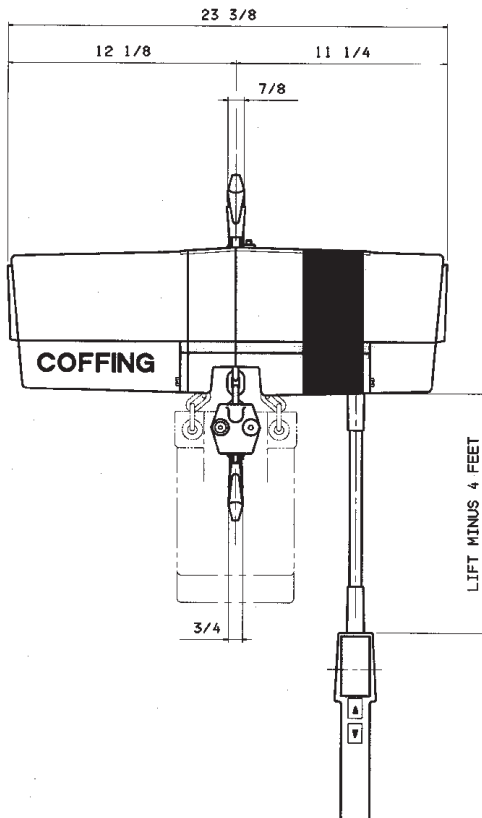


EC-1 (Hook Mount) EC-0516 to EC-1032 (1/4 to 1/2 Ton) Single Chain

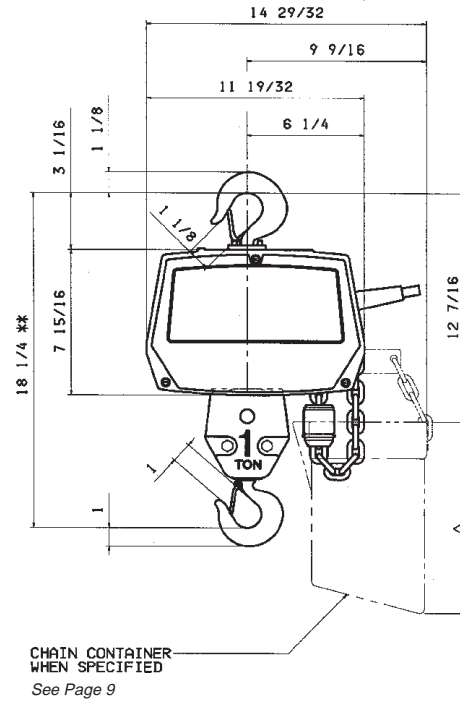
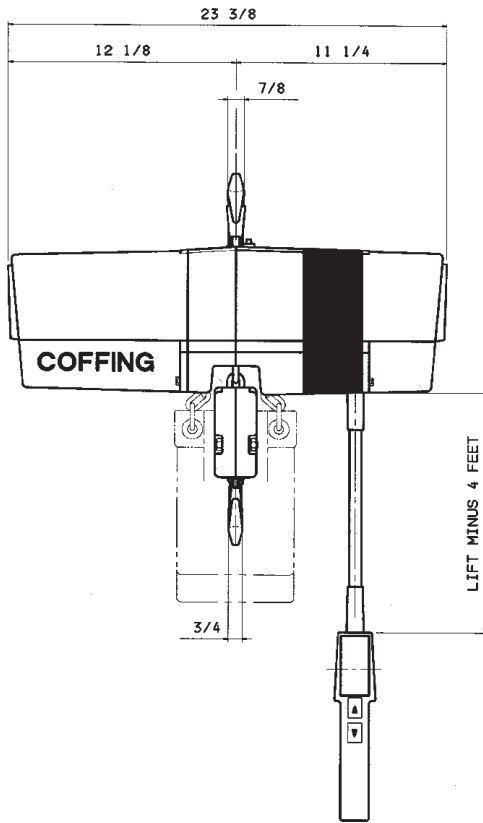


EC-1 (Hook Mount) EC-2012 and EC-2016 (1 Ton) Single Chain

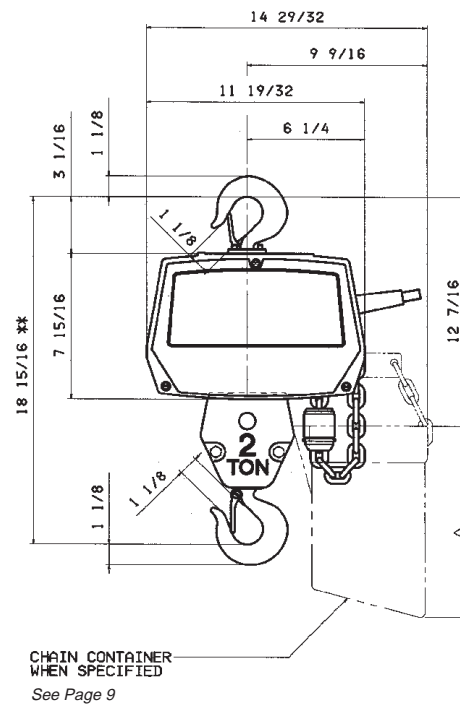
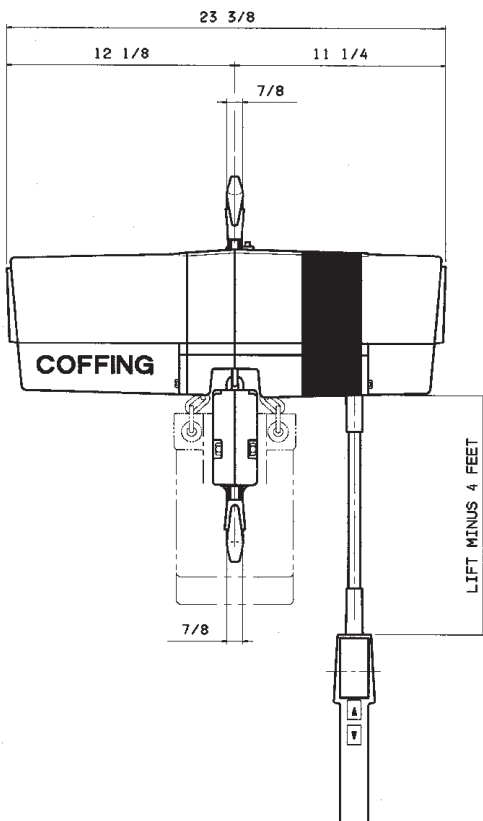


** This dimension allows for 2" clearance between load block and underside of hoist for single chain models.

EC-1 (Hook Mount) EC-2004 and EC-2008 (1 Ton) Double Chain



EC-1 (Hook Mount) EC-4006 and EC-4008 (2 Ton) Double Chain



** This dimension allows for 1" clearance between load block and underside of hoist for multiple chain models.