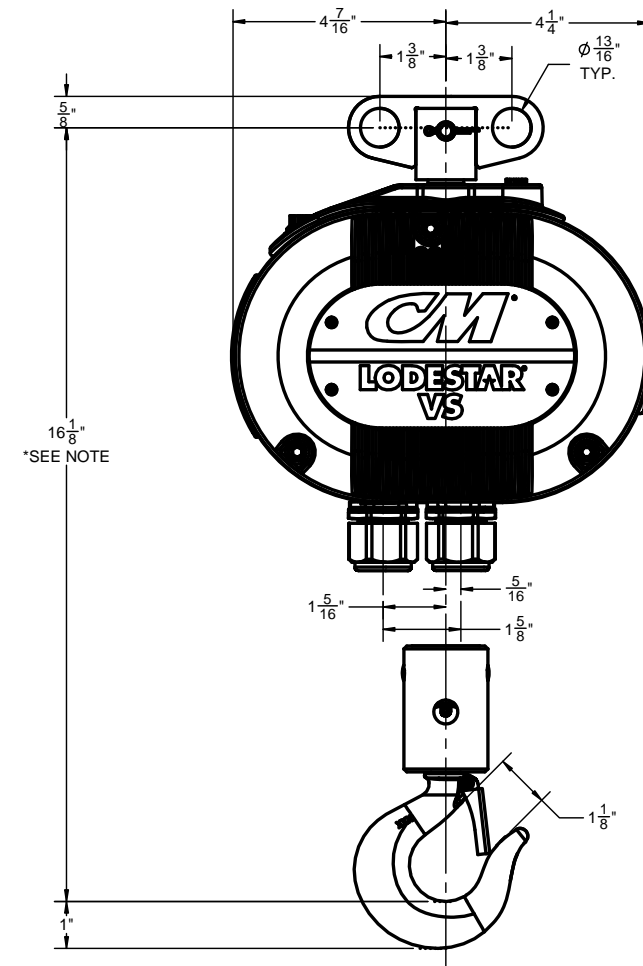
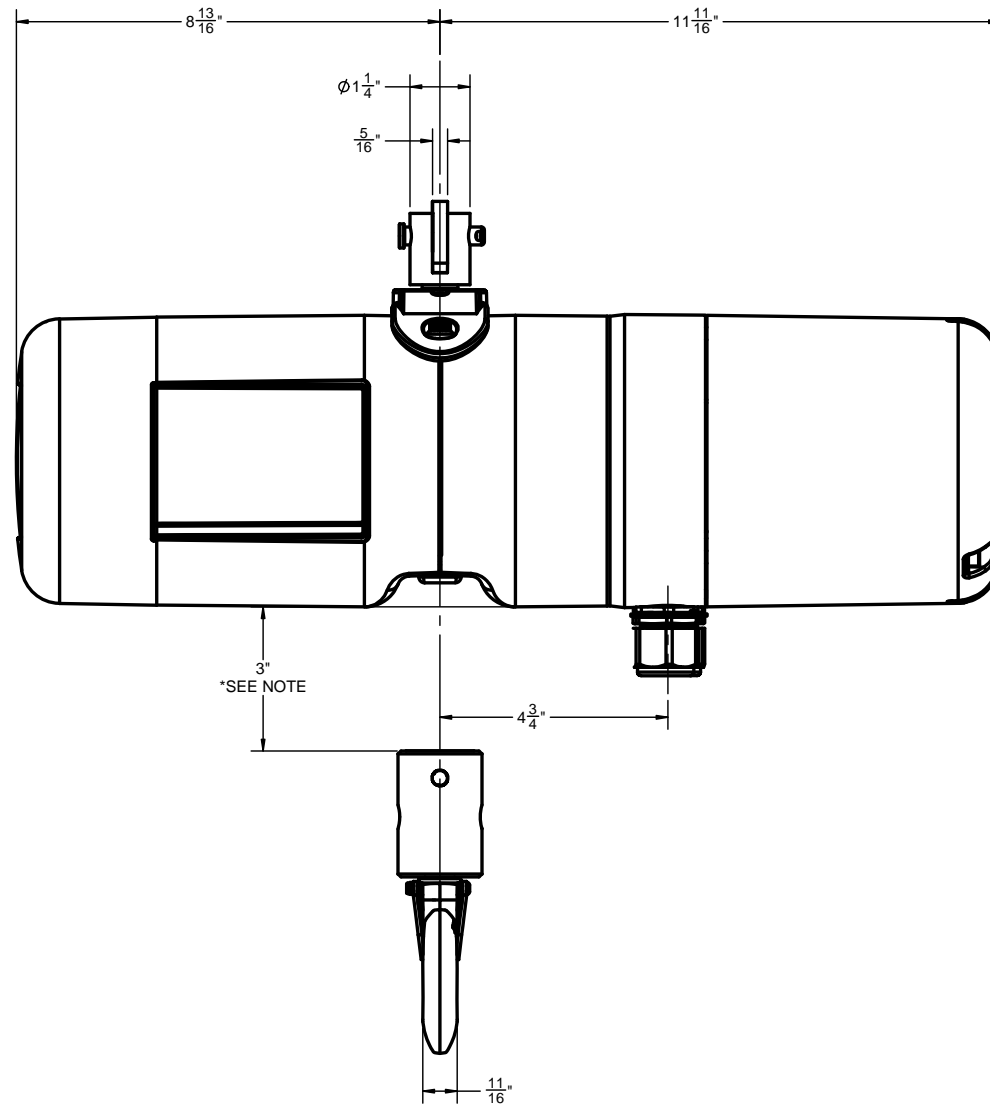


NOTICE TO PERSONS RECEIVING THIS DRAWING AND/OR TECHNICAL INFORMATION:  
 Columbus McKinnon Corporation (CMCO) claims proprietary rights in the material disclosed herein. The drawing and/or technical information is issued in confidence and is the property of CMCO. This drawing and/or technical information is loaned for mutual assistance and is subject to recall by CMCO at any time. This drawing and/or technical information is the property of CMCO.

- NOTES:
- \*FOR MODELS A & C,  
FOR AA MODELS ADD 3"
  - FOR B, F MODELS SUBTRACT 1 1/2"
  - \*DUE TO PROPER LIMIT SWITCH ADJUSTMENT,  
THESE DIMENSIONS MAY VARY.

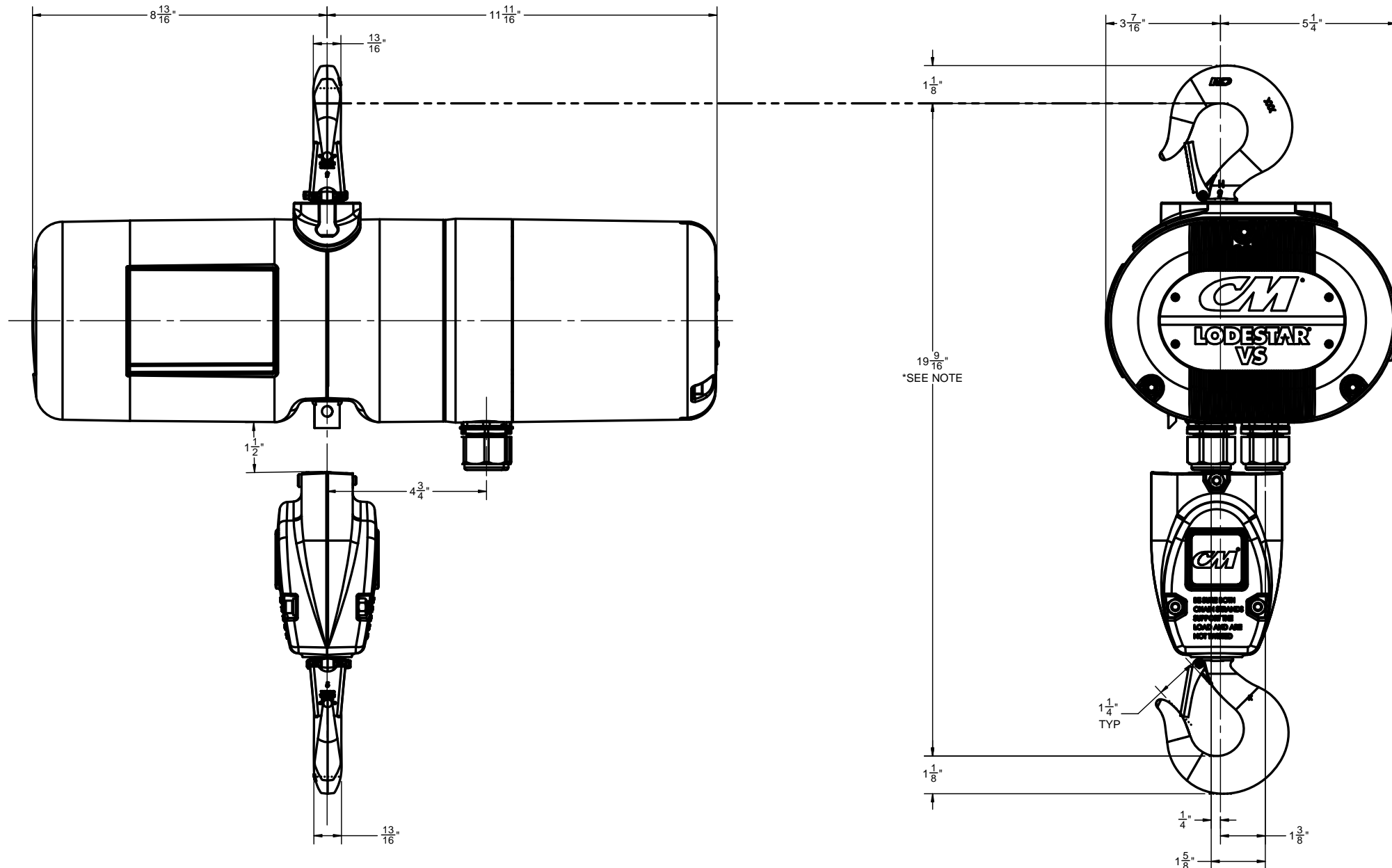
|  |  |  |
|--|--|--|
| Dimensional Units<br>INCH  |  | Columbus McKinnon Corporation<br>Hoist & Rigging - Americas<br>Amherst, NY USA |
| Material: _____<br>Standard: _____<br>Material No: _____<br>Modeled: 11/30/2017 3PMD<br>Drawn: 11/30/2017 3PMD<br>Approved: 11/30/2017 3PMD<br>Design Authority: Damascus<br>Original project: CAD Data<br>Original scale: 1:2 |  |  |
| Description:<br><b>LODESTAR VS-V1 CLEARANCE DIAGRAM</b><br>FIXED LATCH TYPE UPPER<br>LATCH TYPE HOOKS  |  | Format: D<br>Number: 33374201<br>Sheet: 1/1                                    |



NOTICE TO PERSONS RECEIVING THIS DRAWING AND/OR TECHNICAL INFORMATION:  
 Columbus McKinnon Corporation (CMCO) claims proprietary rights in the material disclosed herein. The drawing and/or technical information is issued in confidence and is not to be distributed, copied, or otherwise used without the express written permission of CMCO. This drawing and/or technical information is issued for mutual assistance and is subject to recall by CMCO at any time. This drawing and/or technical information is the property of CMCO.

NOTES:  
 \*FOR MODELS A & C,  
 FOR AA MODELS ADD 3"  
 FOR B, F MODELS SUBTRACT 1 1/2"  
 \*DUE TO PROPER LIMIT SWITCH ADJUSTMENT,  
 THESE DIMENSIONS MAY VARY.

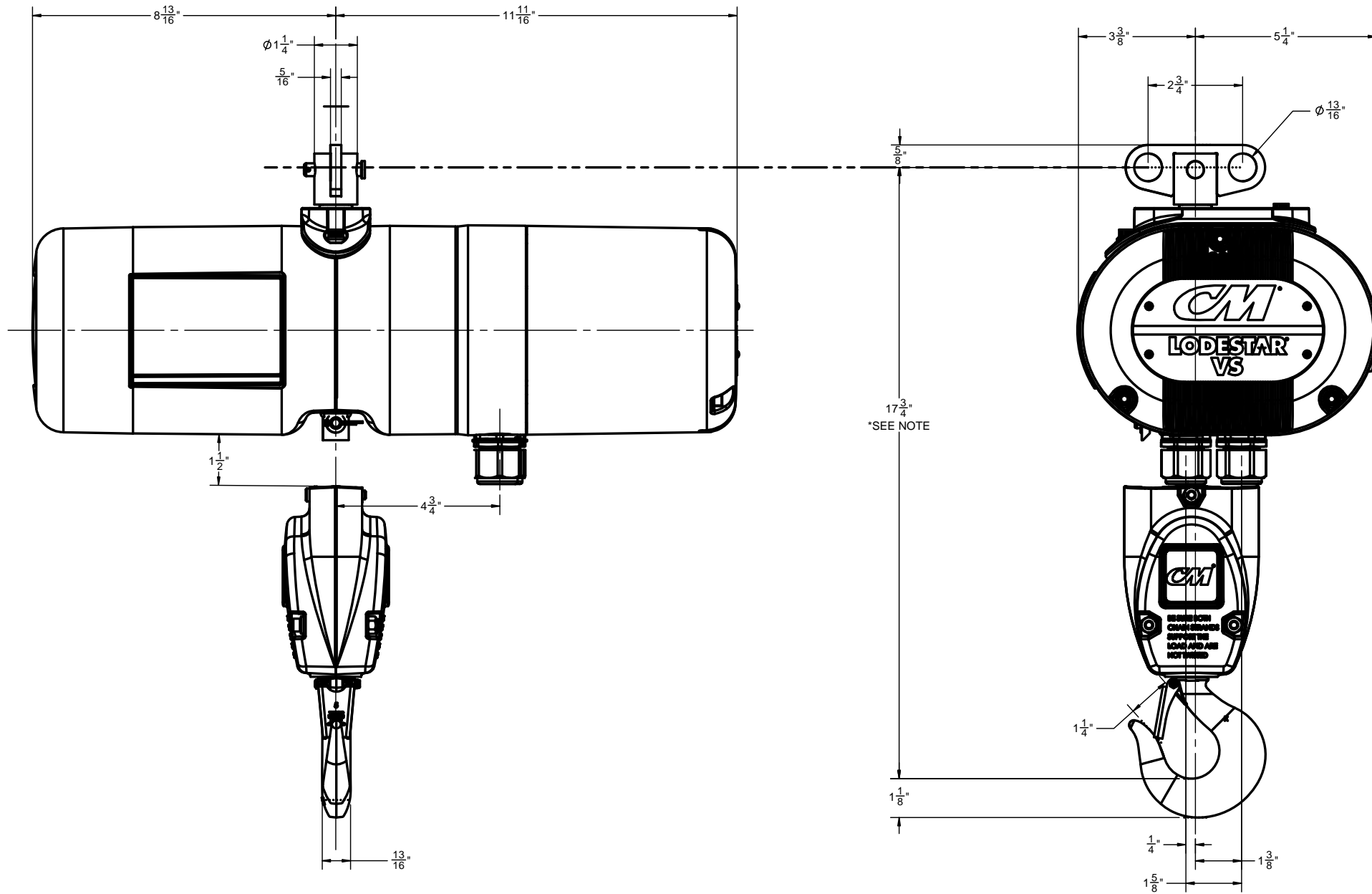
|   |      |   |                  |
|---|------|---|------------------|
| Dimensional Units<br>INCH   |      | Columbus McKinnon Corporation<br>Hoist & Rigging - Americas<br>Amherst, NY USA                            |                  |
| Material: _____<br>Standard: _____<br>Material No: _____<br>Modeled: 11/30/2017 3PMD<br>Drawn: 11/30/2017 3PMD<br>Approved: 11/30/2017 3PMD |      | Description:<br>LODESTAR VS-V1, MODELS A, AA, C, B & F<br>SINGLE REEVED<br>LUT SUSP UPPER, LATCH TYPE LWR |                  |
| ECN   | Rev. | Description of change   | Date             |
|   |      |   |                  |
| Format: D   |      |   | Number: 33374207 |
|   |      |   | Sheet: 1/1       |



NOTICE TO PERSONS RECEIVING THIS DRAWING AND/OR TECHNICAL INFORMATION  
 Columbus McKinnon Corporation (CMCO) claims proprietary rights in the material disclosed herein. The drawing and/or technical information is issued in confidence and is not to be distributed, copied, or otherwise used in any manner without the prior written permission of CMCO. This drawing and/or technical information is issued for mutual assistance and is subject to recall by CMCO at any time. This drawing and/or technical information is the property of CMCO.

|  |  |  |
|--|--|--|
| Dimensional Units<br>INCH  |  | Columbus McKinnon Corporation<br>Hoist & Rigging - Americas<br>Amherst, NY USA |
| Material:<br>Standard:<br>Material No:<br>Modeled: 11/30/2017 3PMD<br>Drawn: 11/30/2017 3PMD<br>Approved: 11/30/2017 3PMD<br>Design Authority: Damascus<br>Original project: CAD Data<br>Original scale: 1:2 |  |  |
| Description:<br><b>LODESTAR VS-V1, MODELS E &amp; H</b><br>DOUBLE REEVED<br>LATCH TYPE HOOKS   |  | Format: D<br>Number: 33374202<br>Sheet: 1/1                                    |

| ECN | Rev. | Description of change | Date | By |
|-----|------|-----------------------|------|----|
|     |      |                       |      |    |



NOTICE TO PERSONS RECEIVING THIS DRAWING AND/OR TECHNICAL INFORMATION  
 Columbus McKinnon Corporation (CMCO) claims proprietary rights in the material disclosed herein. The drawing and/or technical information is issued in confidence and is not to be distributed, copied, or otherwise used in whole or in part without the written permission of CMCO. This drawing and/or technical information is issued for mutual assistance and is subject to recall by CMCO at any time. This drawing and/or technical information is the property of CMCO.

|   |  |  |
|---|--|--|
| Dimensional Units<br>INCH   |  | Columbus McKinnon Corporation<br>Hoist & Rigging - Americas<br>Amherst, NY USA |
| Material: Standard: Material No: Model No: 11/30/2017 3PMD Drawn: 11/30/2017 3PMD Approved: 11/30/2017 3PMD Design Authority: Damascus Original project: CAD Data Original scale: 1:2 |  |  |
| Description:<br>LODESTAR VS-V1, MODELS E & H<br>DOUBLE REEVED<br>UT SUSP UPPER, LATCH TYPE LWR  |  | Format: Number:<br>D 33374208  |
| ECN Rev. Description of change Date By  |  | Sheet<br>1/1   |