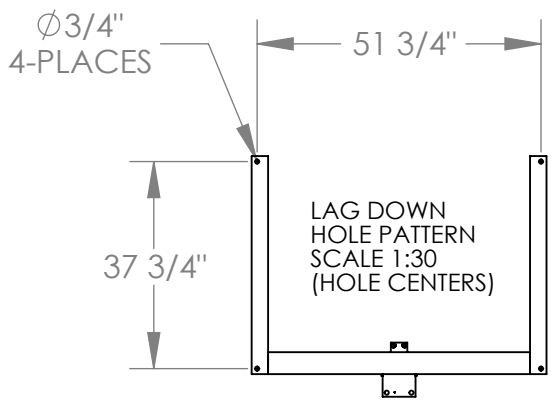
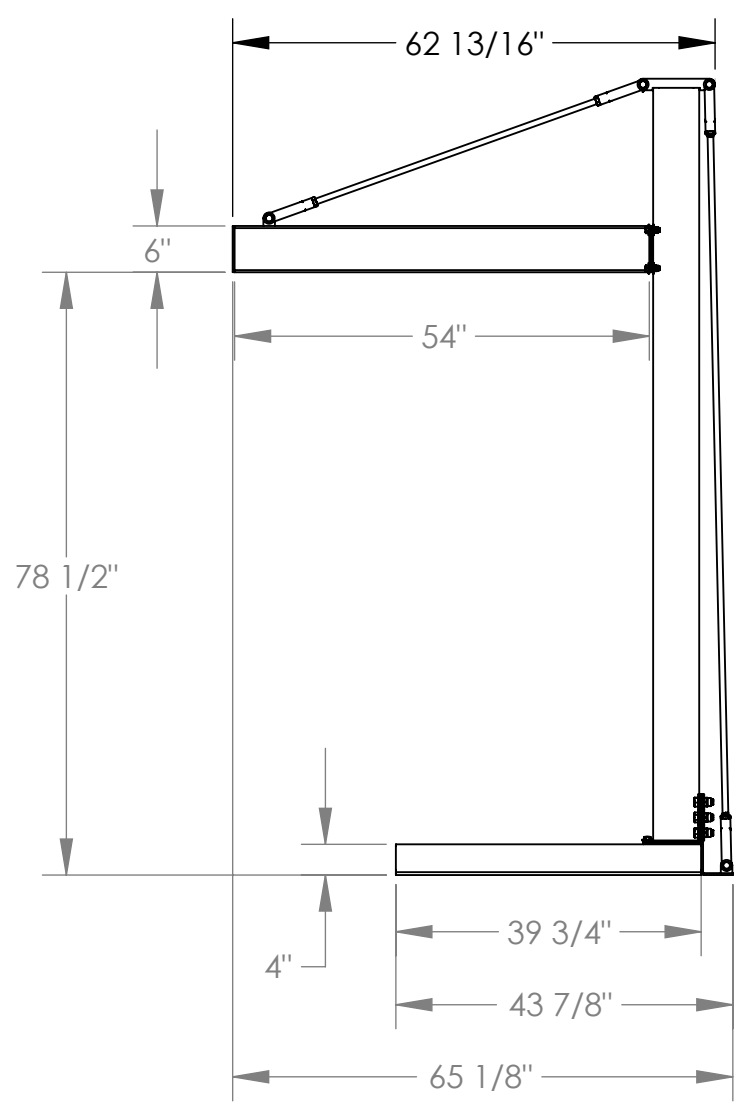
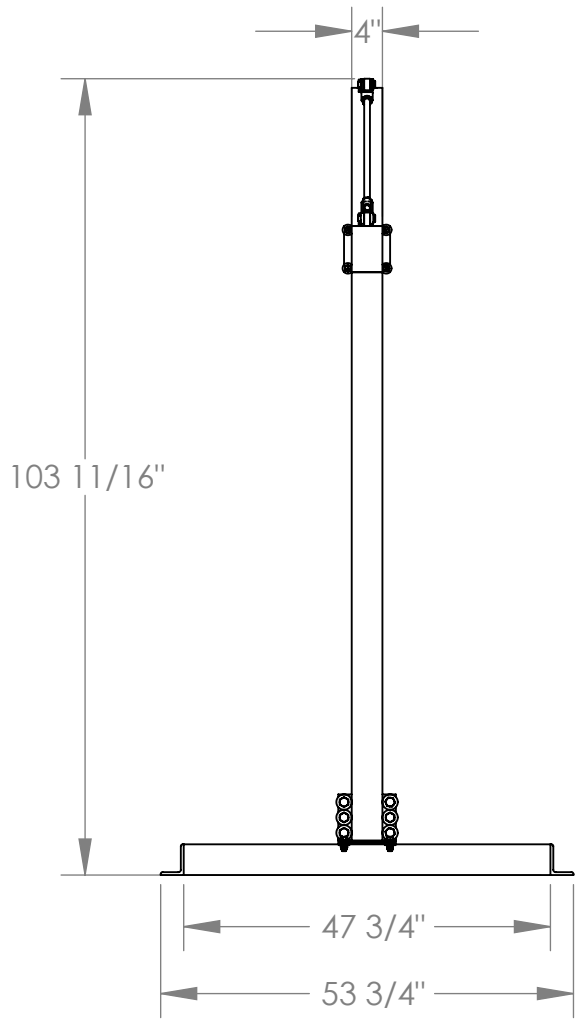


MINI OVERHEAD CANTILEVER JIB-CJIB-10

APPROX WEIGHT: 439.77 lbs.

DOES NOT INCLUDE WEIGHT OF POWER OR PACKAGING!!!

ANY ADDITIONS, DELETIONS, OR OMISSIONS MUST BE CORRECTED ON THIS DRAWING AS THIS DRAWING WILL BE CONSIDERED ALL INCLUSIVE
 ALL GRAPHICS PROVIDED ARE FOR REFERENCE ONLY. IF CERTAIN DIMENSIONS ARE CRITICAL PLEASE VERIFY THOSE DIMENSIONS WITH YOUR SALESPERSON



NOTE:

SPECIAL FOUNDATION MAY BE REQUIRED: SEE OWNERS MANUAL FOR DETAILS

DIMENSION TOLERANCE $\pm 1/4$ "

FOR INTERNAL USE ONLY PROJECT SIGN OFF	
SALES	
ENG.	
FAB.	
POWER	

STANDARD FEATURES

- MODEL NUMBER IS CJIB-10
- CAPACITY IS 1,000 LBS.
- OVERALL WIDTH IS 53 3/4"
- STRADDLE WIDTH IS 47 3/4"
- OVERALL LENGTH IS 65 1/8"
- USABLE I-BEAM LENGTH IS 54"
- OVERALL HEIGHT IS 103 11/16"
- UNDER I-BEAM TO GROUND IS 78 1/2"
- I-BEAM SIZE: 6" HEIGHT X 4" FLANGE WIDTH
- WATER BASED BLUE PAINT FINISH

SPECIAL FEATURES

NONE

APPROVAL

I, THE UNDERSIGNED, AGREE THAT THE PRODUCT AS REPRESENTED SATISFIES DESIGN AND DIMENSION REQUIREMENTS. I ALSO ACKNOWLEDGE MY DUTY TO CONFIRM PRODUCT AND INSTALLATION COMPLIANCE WITH ALL APPLICABLE FEDERAL, STATE AND LOCAL REGULATIONS AND STANDARDS.

ANY MODIFIED UNITS ARE NON-RETURNABLE

As drawn As marked

Signed: _____ Date: _____

Printed Name: _____

LEAD TIME WILL START UPON RECEIPT OF SIGNED APPROVAL DRAWING

DISTRIBUTOR'S NAME:		P.O.#
VESTIL MANUFACTURING		X
DRAWN BY: ND		W.O.#
DATE: 1/30/2009		X
REFERENCE: X	SCALE: 1:25	SALES: X
QUOTED LEAD TIME: X	QUOTE # X	FILE NAME:
		28-007-043-001