

DETAIL A-A (TYP)

CONFIDENTIAL

CREATED BY: BOHL CRANE INC

GORBEL

600 FISHERS RUN
P.O. BOX 593
FISHERS, NY 14453-0593

AL100-G1-500-10

CAPACITY: 500 LBS

SPAN: 10'

QUANTITY: 1

SHIPPING WT.: 175.62 LBS

THRUST & PULL: 1.967 Kips

DRAWN: ANTSMI

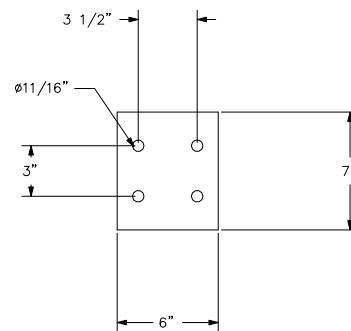
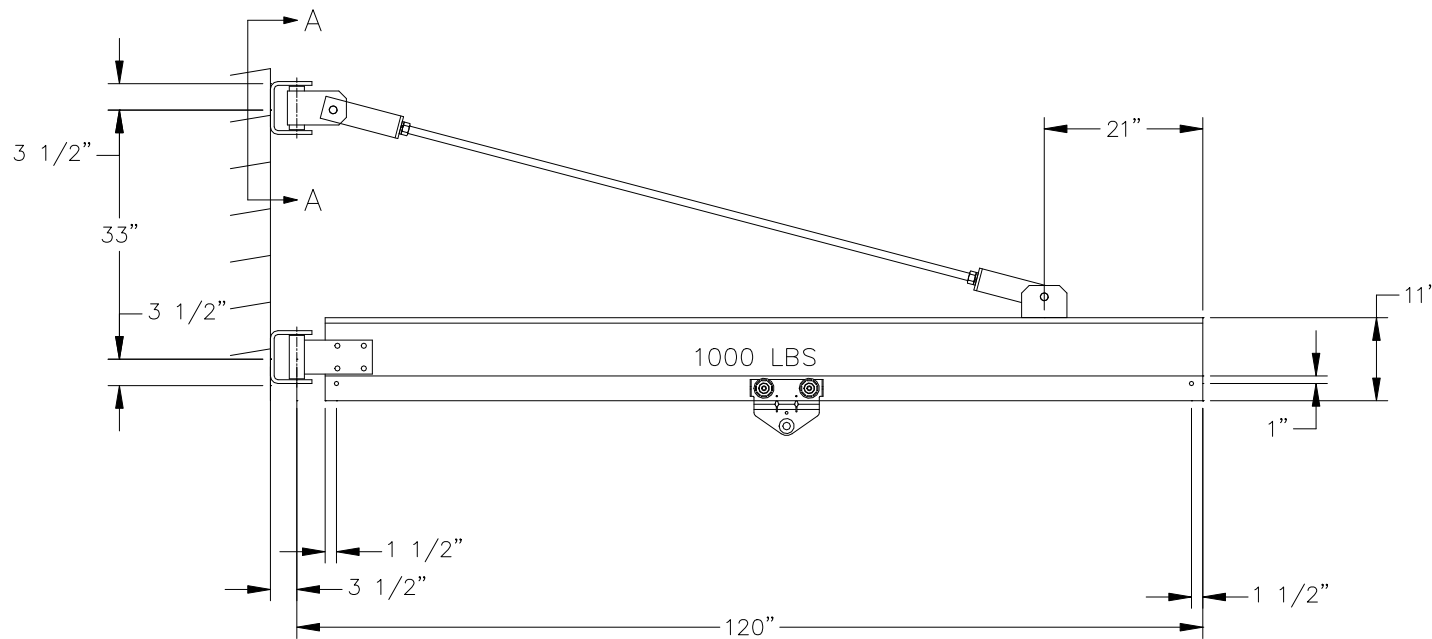
DATE: 7/21/2023

C.O.#: ANTSMI00006

P/N: ANTSMI00006.0A

SUGGESTED MAINTENANCE:

1. RENEW GREASE IN UPPER AND LOWER PIVOT ASSEMBLIES EVERY (6) MONTHS WITH LUBRIPLATE #630-AA OR EQUIV.
2. CHECK LEVEL OF BOOM AND TIGHTEN HARDWARE EVERY (3) MONTHS.
3. PERFORM A GENERAL INSPECTION EVERY (6) MONTHS. (REFER TO MAINTENANCE MANUAL FOR INSTRUCTIONS)



DETAIL A-A (TYP)

CONFIDENTIAL

CREATED BY: BOHL CRANE INC

GORBEL

600 FISHERS RUN
P.O. BOX 593
FISHERS, NY 14453-0593

AL100-G1-1000-10

CAPACITY: 1000 LBS

SPAN: 10'

QUANTITY: 1

SHIPPING WT.: 225.47 LBS

THRUST & PULL: 4.987 Kips

DRAWN: ANTSMI

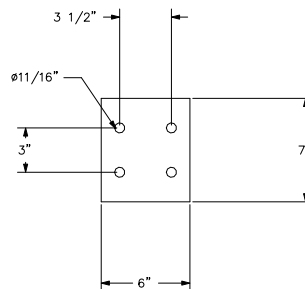
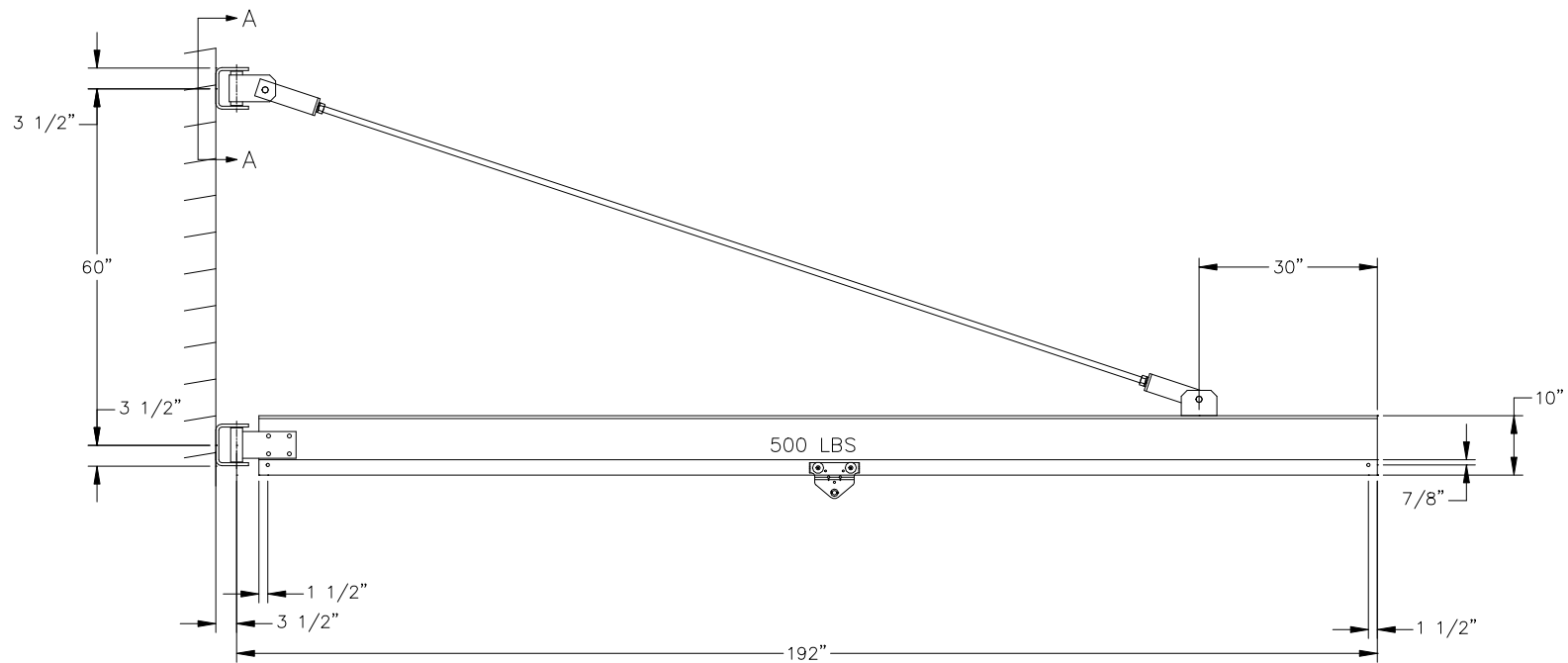
DATE: 7/21/2023

C.O.#: ANTSMI00006

P/N: ANTSMI00006.0A

SUGGESTED MAINTENANCE:

1. RENEW GREASE IN UPPER AND LOWER PIVOT ASSEMBLIES EVERY (6) MONTHS WITH LUBRIPLATE #630-AA OR EQUIV.
2. CHECK LEVEL OF BOOM AND TIGHTEN HARDWARE EVERY (3) MONTHS.
3. PERFORM A GENERAL INSPECTION EVERY (6) MONTHS. (REFER TO MAINTENANCE MANUAL FOR INSTRUCTIONS)



DETAIL A-A (TYP)

SUGGESTED MAINTENANCE:

1. RENEW GREASE IN UPPER AND LOWER PIVOT ASSEMBLIES EVERY (6) MONTHS WITH LUBRIPLATE #630-AA OR EQUIV.
2. CHECK LEVEL OF BOOM AND TIGHTEN HARDWARE EVERY (3) MONTHS.
3. PERFORM A GENERAL INSPECTION EVERY (6) MONTHS. (REFER TO MAINTENANCE MANUAL FOR INSTRUCTIONS)

CONFIDENTIAL

CREATED BY: BOHL CRANE INC

GORBEL

600 FISHERS RUN
P.O. BOX 593
FISHERS, NY 14453-0593

AL100-G1-500-16

CAPACITY: 500 LBS

SPAN: 16'

QUANTITY: 1

SHIPPING WT.: 251.25 LBS

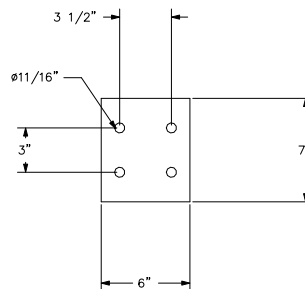
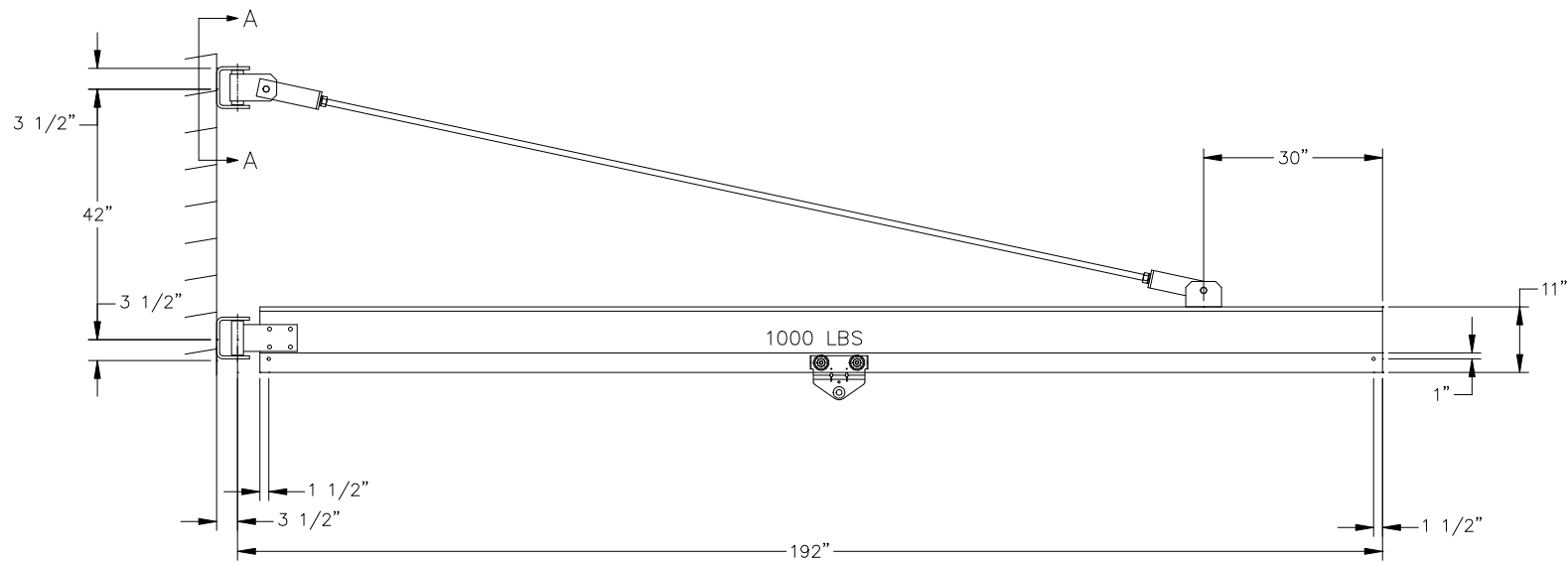
THRUST & PULL: 2.29 Kips

DRAWN: ANTSMI

DATE: 7/21/2023

C.O.#: ANTSMI00006

P/N: ANTSMI00006.0A



DETAIL A-A (TYP)

SUGGESTED MAINTENANCE:

1. RENEW GREASE IN UPPER AND LOWER PIVOT ASSEMBLIES EVERY (6) MONTHS WITH LUBRIPLATE #630-AA OR EQUIV.
2. CHECK LEVEL OF BOOM AND TIGHTEN HARDWARE EVERY (3) MONTHS.
3. PERFORM A GENERAL INSPECTION EVERY (6) MONTHS. (REFER TO MAINTENANCE MANUAL FOR INSTRUCTIONS)

CONFIDENTIAL

CREATED BY: BOHL CRANE INC

GORBEL

600 FISHERS RUN
P.O. BOX 593
FISHERS, NY 14453-0593

AL100-G1-1000-16	
CAPACITY: 1000 LBS	
SPAN: 16'	
QUANTITY: 1	
SHIPPING WT.: 349.14 LBS	
THRUST & PULL: 6.504 Kips	
DRAWN: ANTSMI	DATE: 7/21/2023
C.O.#: ANTSMI00006	P/N: ANTSMI00006.0A