

24" DIA BOLT CIRCLE
 1 1/4" DIA BOLT
 2" OFFSET TYP
 6 BOLT
 BASE BOLT PATTERN
 1 1/4" BASE PLATE THICKNESS AT ANCHOR BOLT
 VIEW A-A
 NOT TO SCALE

CONFIDENTIAL

CREATED BY: BOHL CRANE INC

GORBEL

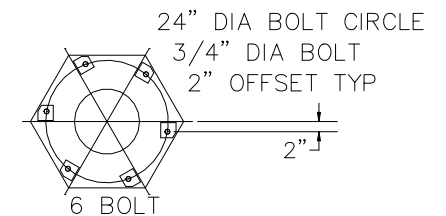
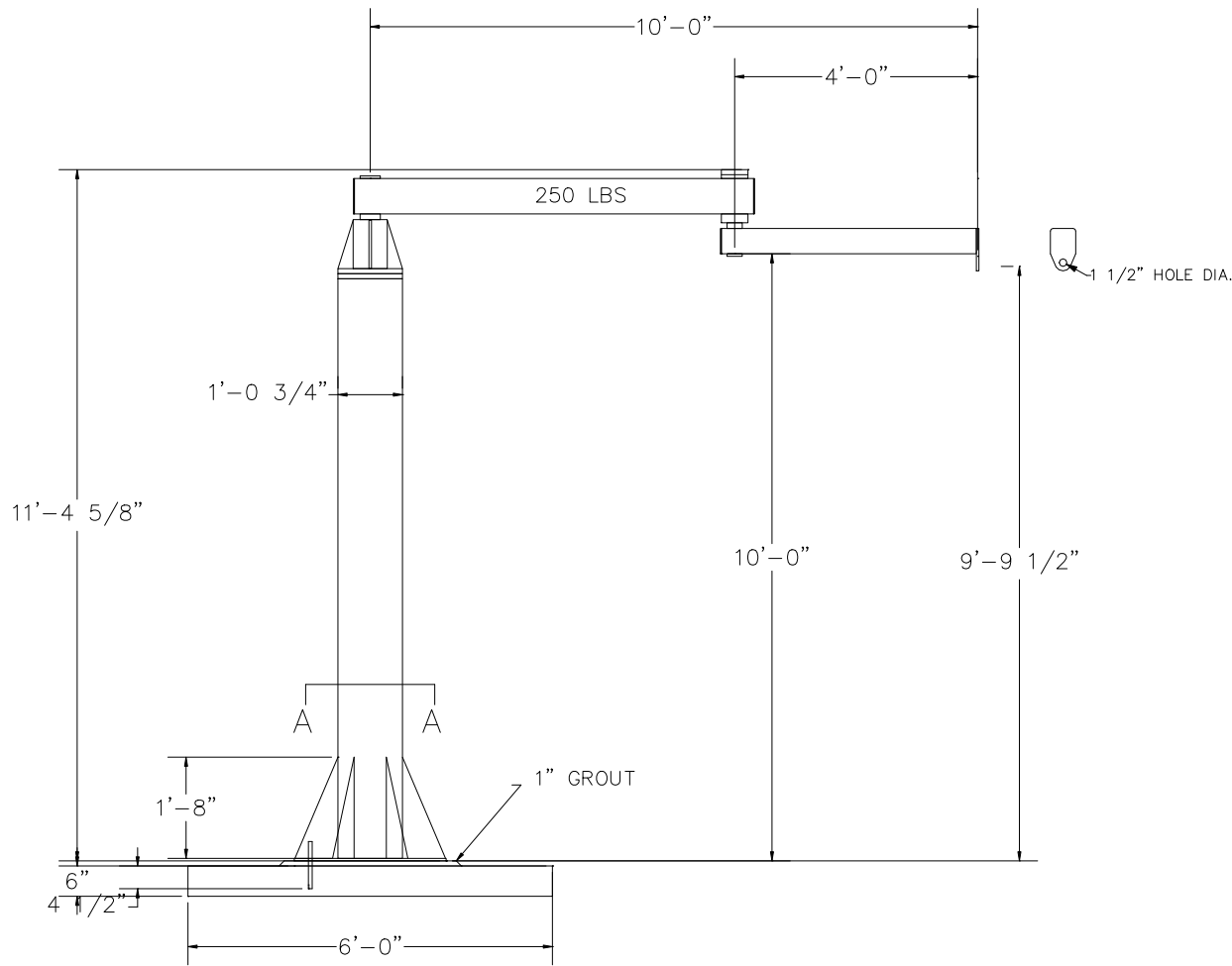
600 FISHERS RUN
 P.O. BOX 593
 FISHERS, NY 14453-0593

AJ360-F-250-10-10

CAPACITY: 250 LBS
 SPAN: 10'
 H.U.B.: 10'
 QUANTITY: 1
 SHIPPING WT.: 837 LBS

DRAWN:	DATE: 7/21/2023
C.O.#: ANTSMI00006	P/N: ANTSMI00006.OA

1) JIB CRANE FOUNDATION REQUIREMENTS ARE BASED ON A SOIL PRESSURE OF 2500 LBS PER SQUARE FOOT. CONCRETE RECOMMENDED FOR JIB CRANE FOUNDATION IS 3000 LBS PER SQUARE INCH OF COMPRESSIVE FORCE.
 2) DO NOT SCALE FROM THIS DRAWING.



24" DIA BOLT CIRCLE
 3/4" DIA BOLT
 2" OFFSET TYP
 6 BOLT
 BASE BOLT PATTERN
 1 1/4" BASE PLATE THICKNESS AT ANCHOR BOLT
 VIEW A-A
 NOT TO SCALE

CONFIDENTIAL

CREATED BY: BOHL CRANE INC

GORBEL

600 FISHERS RUN
 P.O. BOX 593
 FISHERS, NY 14453-0593

AJ360-F-NP6-250-10-10

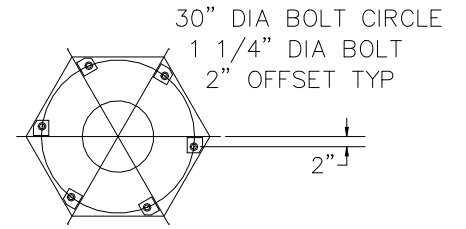
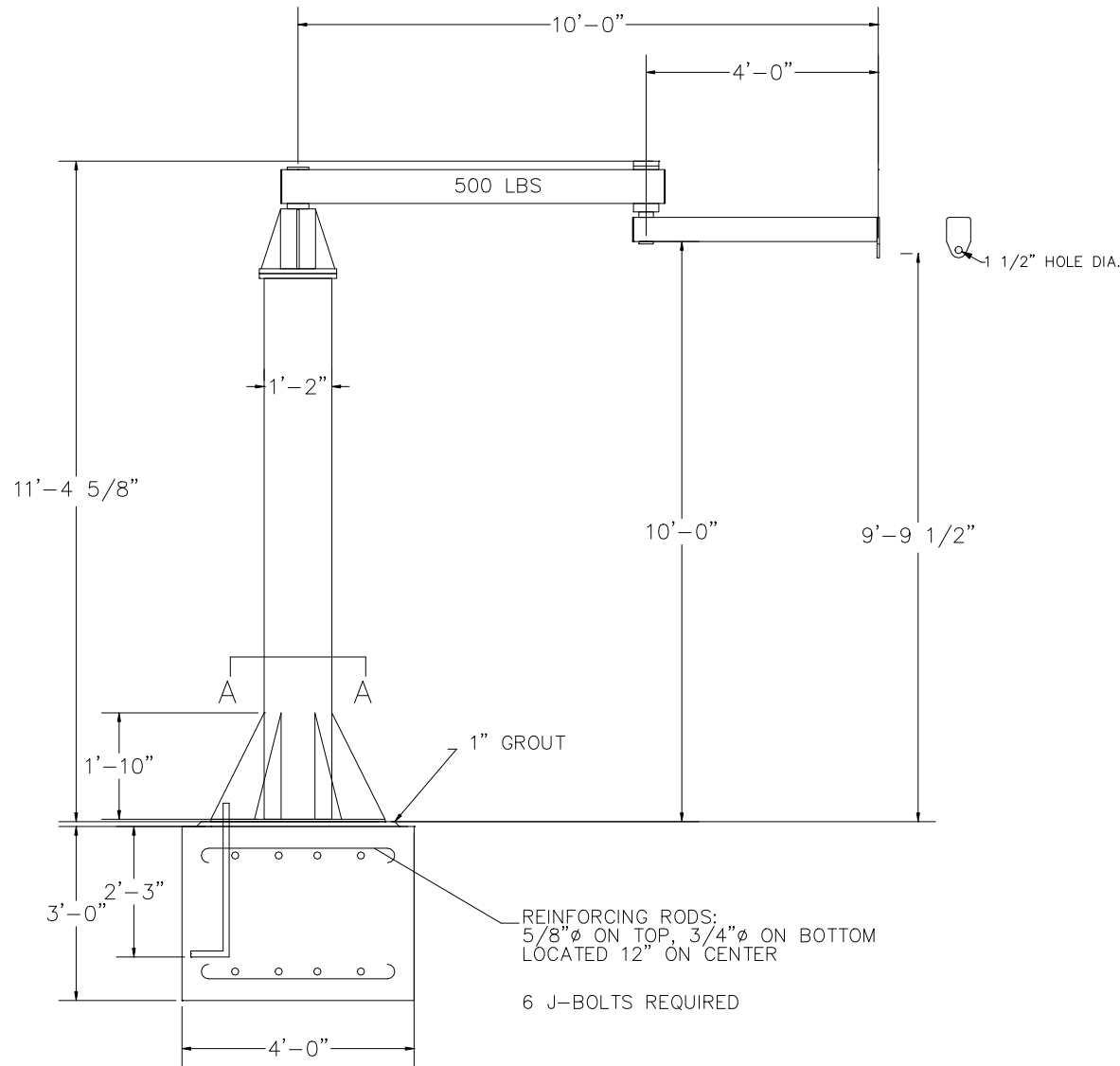
CAPACITY: 250 LBS
 SPAN: 10'
 H.U.B.: 10'
 QUANTITY: 1
 SHIPPING WT.: 847 LBS

DRAWN:	DATE: 7/21/2023
C.O.#: ANTSMI00006	P/N: ANTSMI00006.0A

FOUNDATIONLESS REQUIREMENTS:

- CENTERED ON A SQUARE FOOT AREA THAT IS FREE FROM CRACKS, SEAMS, AND WALLS.
- REINFORCED CONCRETE WITH PRESSURE OF 3000 PSI AND SOIL PRESSURE OF 2500 PSF.
- CHEMICAL ANCHOR BOLTS HIT-HY 200 +3/4" HAS-B-105.
- CONCRETE MUST CONTAIN A MINIMUM OF WIRE MESH REINFORCEMENT.
- IT IS THE RESPONSIBILITY OF THE DEALER AND END USER TO VALIDATE THE MOUNTING STRUCTURE IS SUFFICIENT TO RESIST CRANE LOADINGS. GORBEL ASSUMES NO LIABILITY FOR FAILURES OF EQUIPMENT OR STRUCTURES NOT SUPPLIED BY GORBEL.

1) DO NOT SCALE FROM THIS DRAWING.



30" DIA BOLT CIRCLE
 1 1/4" DIA BOLT
 2" OFFSET TYP
 6 BOLT
 BASE BOLT PATTERN
 1 1/4" BASE PLATE THICKNESS AT ANCHOR BOLT
 VIEW A-A
 NOT TO SCALE

CONFIDENTIAL

CREATED BY: BOHL CRANE INC

GORBEL

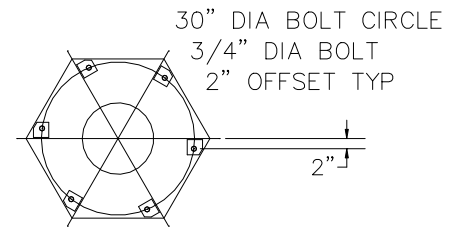
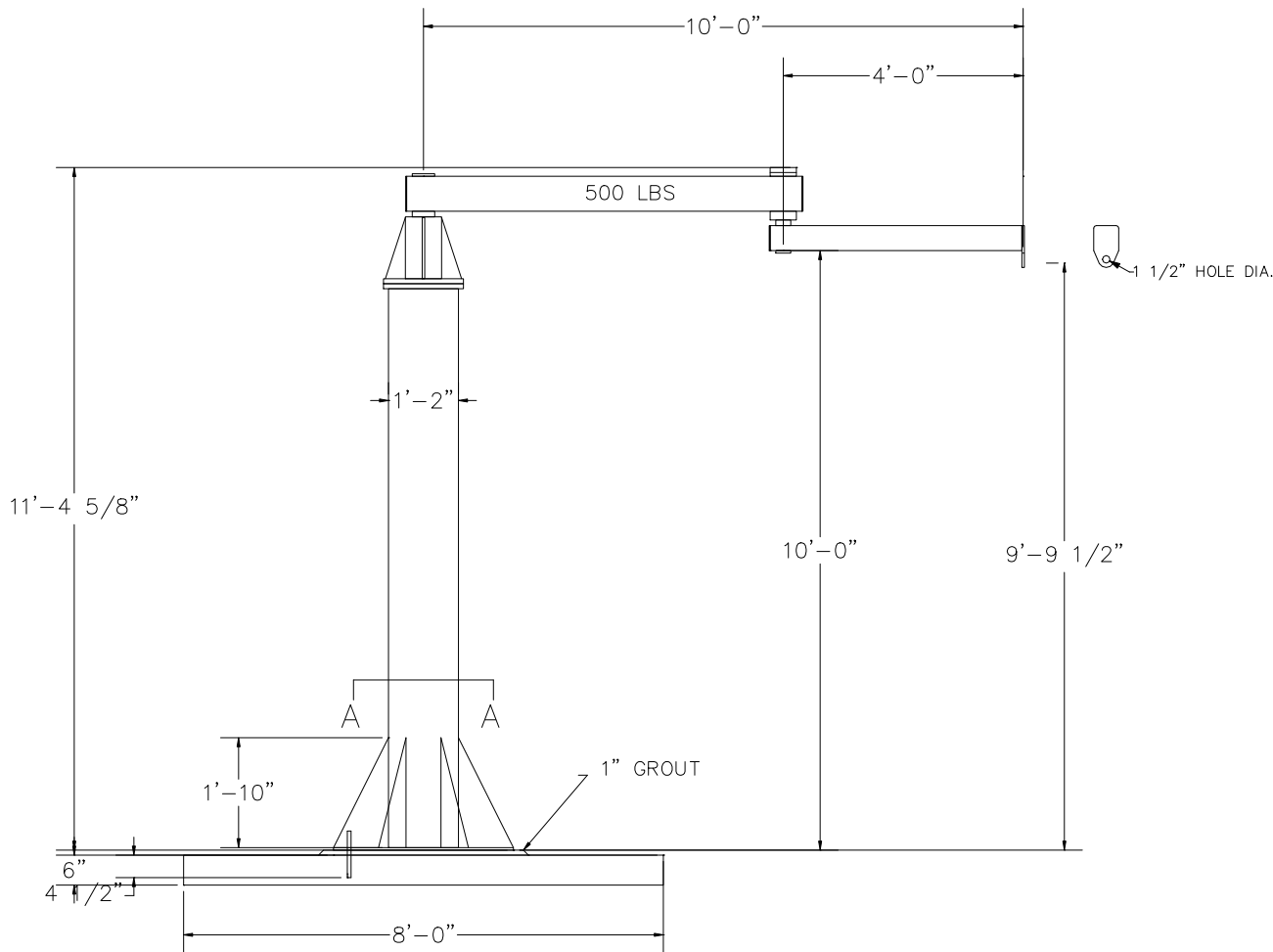
600 FISHERS RUN
 P.O. BOX 593
 FISHERS, NY 14453-0593

AJ360-F-500-10-10

CAPACITY: 500 LBS
 SPAN: 10'
 H.U.B.: 10'
 QUANTITY: 1
 SHIPPING WT.: 1163 LBS

DRAWN:	DATE: 7/24/2023
C.O.#: ANTSMI00006	P/N: ANTSMI00006.OA

1) JIB CRANE FOUNDATION REQUIREMENTS ARE BASED ON A SOIL PRESSURE OF 2500 LBS PER SQUARE FOOT. CONCRETE RECOMMENDED FOR JIB CRANE FOUNDATION IS 3000 LBS PER SQUARE INCH OF COMPRESSIVE FORCE.
 2) DO NOT SCALE FROM THIS DRAWING.



30" DIA BOLT CIRCLE
 3/4" DIA BOLT
 2" OFFSET TYP
 6 BOLT
 BASE BOLT PATTERN
 1 1/4" BASE PLATE THICKNESS AT ANCHOR BOLT
 VIEW A-A
 NOT TO SCALE

CONFIDENTIAL

CREATED BY: BOHL CRANE INC

GORBEL

600 FISHERS RUN
 P.O. BOX 593
 FISHERS, NY 14453-0593

AJ360-F-NP6-500-10-10

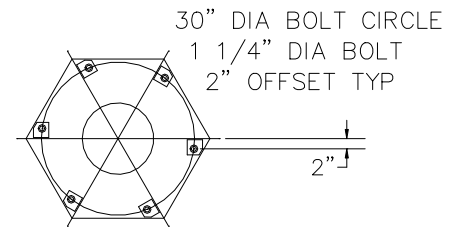
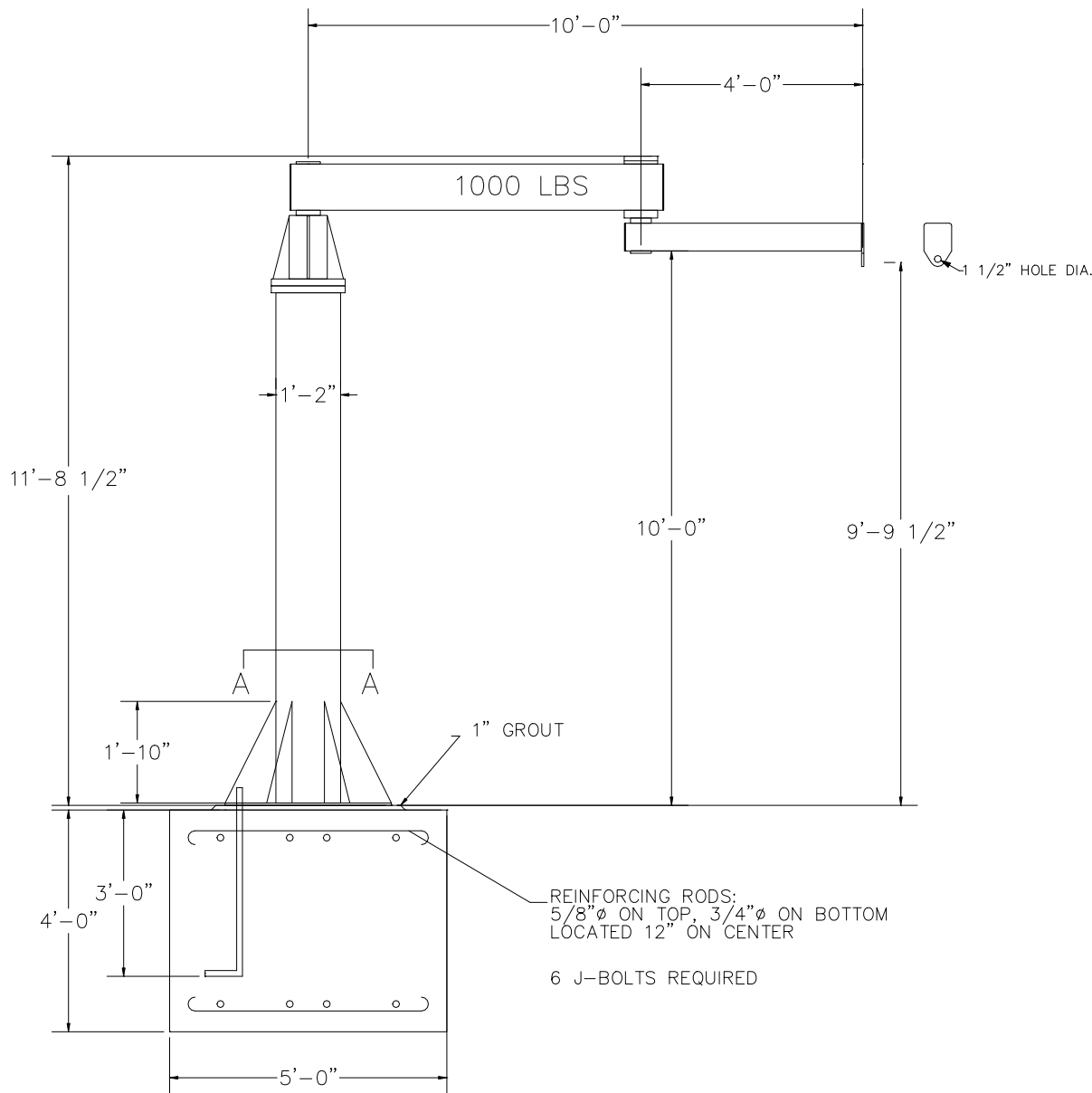
CAPACITY: 500 LBS
 SPAN: 10'
 H.U.B.: 10'
 QUANTITY: 1
 SHIPPING WT.: 1173 LBS

DRAWN:	DATE: 7/24/2023
C.O.#: ANTSMI00006	P/N: ANTSMI00006.OA

FOUNDATIONLESS REQUIREMENTS:

- CENTERED ON A SQUARE FOOT AREA THAT IS FREE FROM CRACKS, SEAMS, AND WALLS.
- REINFORCED CONCRETE WITH PRESSURE OF 3000 PSI AND SOIL PRESSURE OF 2500 PSF.
- CHEMICAL ANCHOR BOLTS HIT-HY 200 +3/4" HAS-B-105.
- CONCRETE MUST CONTAIN A MINIMUM OF WIRE MESH REINFORCEMENT.
- IT IS THE RESPONSIBILITY OF THE DEALER AND END USER TO VALIDATE THE MOUNTING STRUCTURE IS SUFFICIENT TO RESIST CRANE LOADINGS. GORBEL ASSUMES NO LIABILITY FOR FAILURES OF EQUIPMENT OR STRUCTURES NOT SUPPLIED BY GORBEL.

1) DO NOT SCALE FROM THIS DRAWING.



30" DIA BOLT CIRCLE
 1 1/4" DIA BOLT
 2" OFFSET TYP
 6 BOLT
 BASE BOLT PATTERN
 1 1/4" BASE PLATE THICKNESS AT ANCHOR BOLT
 VIEW A-A
 NOT TO SCALE

CONFIDENTIAL

CREATED BY: BOHL CRANE INC

GORBEL

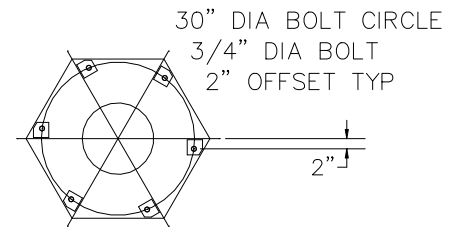
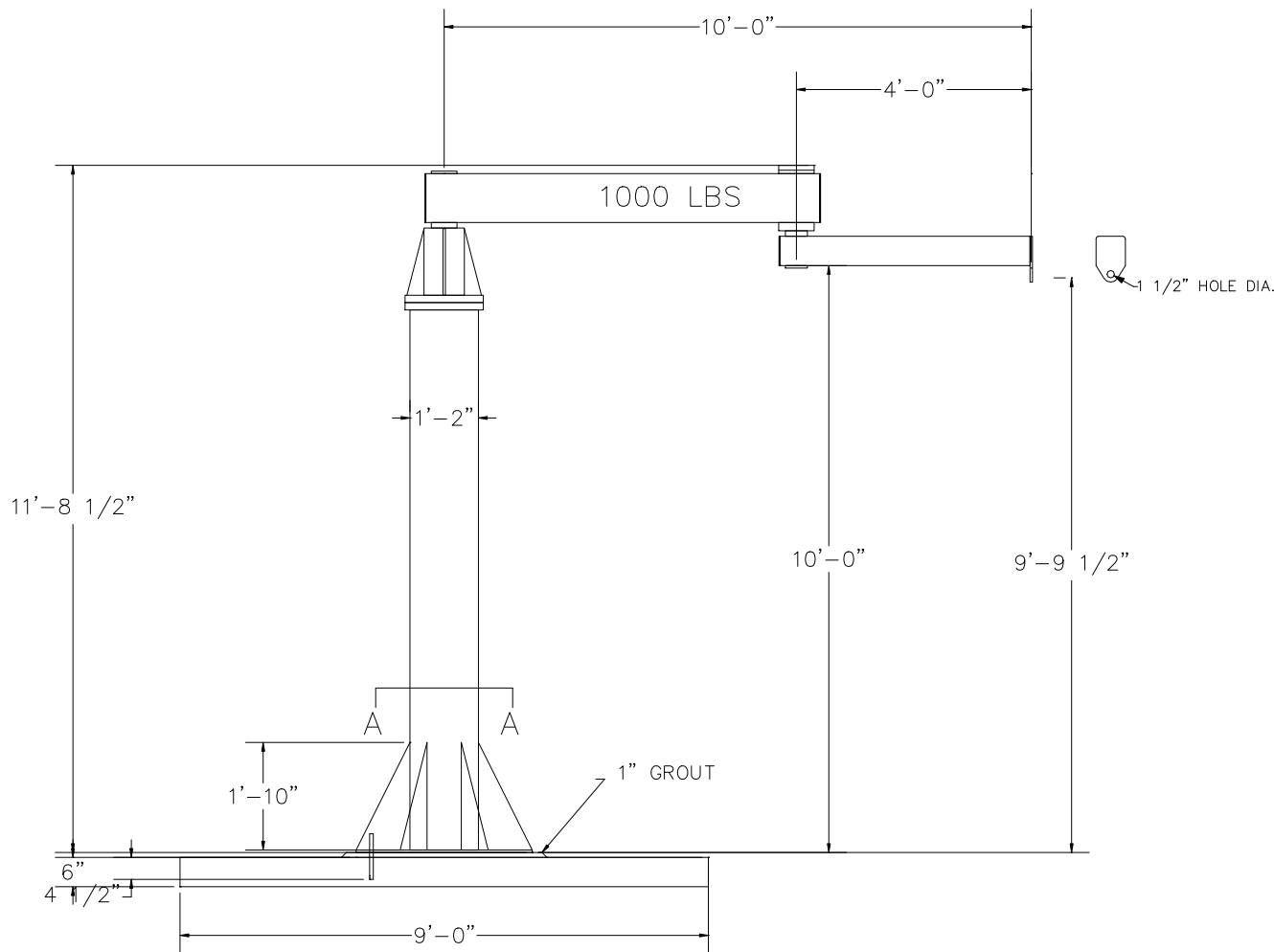
600 FISHERS RUN
 P.O. BOX 593
 FISHERS, NY 14453-0593

AJ360-F-1000-10-10

CAPACITY: 1000 LBS
 SPAN: 10'
 H.U.B.: 10'
 QUANTITY: 1
 SHIPPING WT.: 1436 LBS

DRAWN:	DATE: 7/24/2023
C.O.#: ANTSMI00006	P/N: ANTSMI00006.0A

1) JIB CRANE FOUNDATION REQUIREMENTS ARE BASED ON A SOIL PRESSURE OF 2500 LBS PER SQUARE FOOT. CONCRETE RECOMMENDED FOR JIB CRANE FOUNDATION IS 3000 LBS PER SQUARE INCH OF COMPRESSIVE FORCE.
 2) DO NOT SCALE FROM THIS DRAWING.



30" DIA BOLT CIRCLE
 3/4" DIA BOLT
 2" OFFSET TYP
 6 BOLT
 BASE BOLT PATTERN
 1 1/4" BASE PLATE THICKNESS AT ANCHOR BOLT
 VIEW A-A
 NOT TO SCALE

CONFIDENTIAL

CREATED BY: BOHL CRANE INC

GORBEL

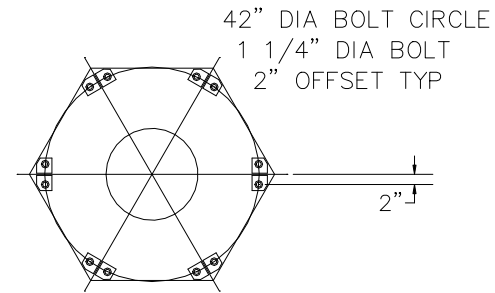
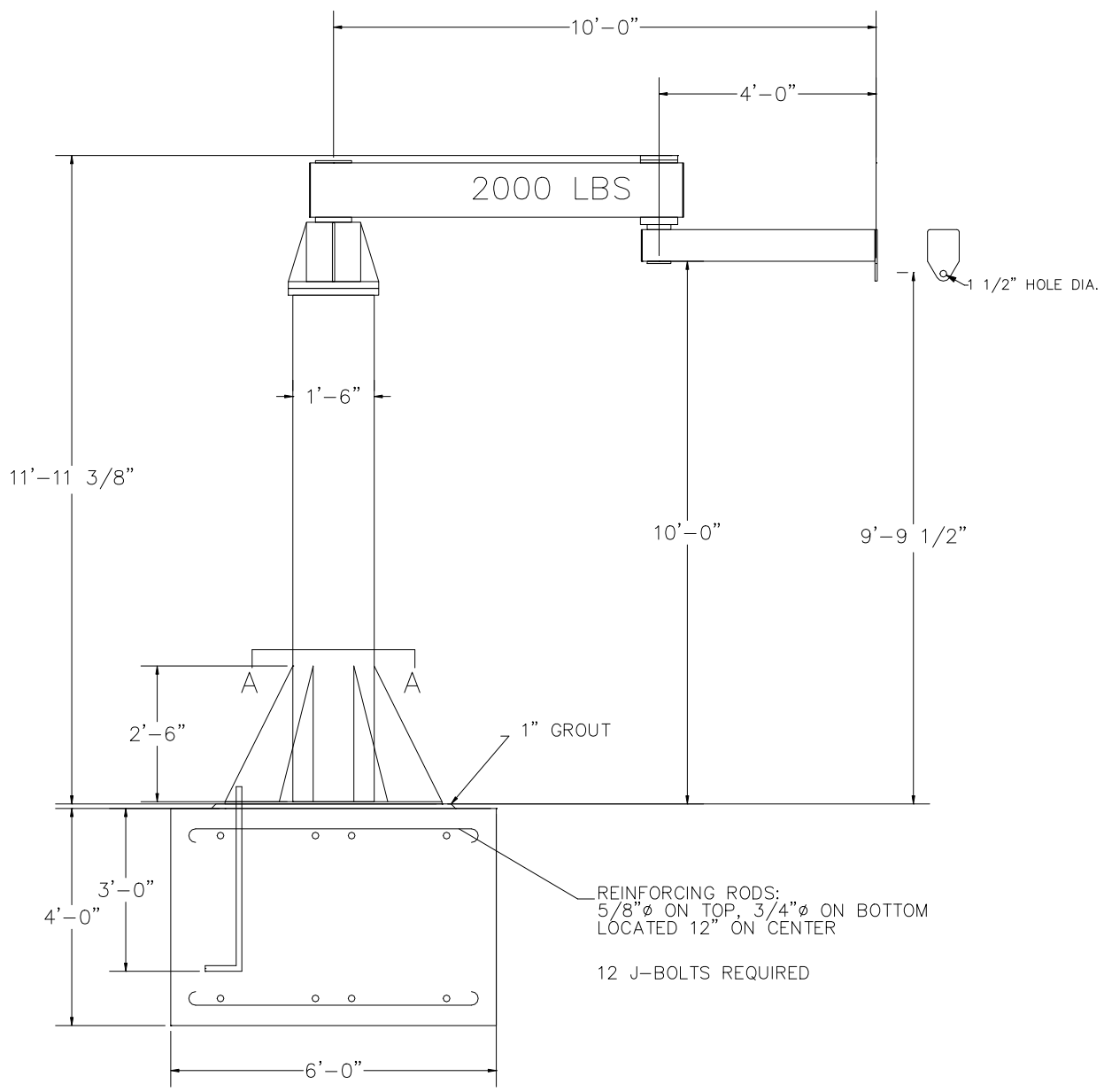
600 FISHERS RUN
 P.O. BOX 593
 FISHERS, NY 14453-0593

AJ360-F-NP6-1000-10-10

CAPACITY: 1000 LBS
 SPAN: 10'
 H.U.B.: 10'
 QUANTITY: 1
 SHIPPING WT.: 1445 LBS

DRAWN:	DATE: 7/24/2023
C.O.#: ANTSMI00006	P/N: ANTSMI00006.OA

FOUNDATIONLESS REQUIREMENTS:
 - CENTERED ON A SQUARE FOOT AREA THAT IS FREE FROM CRACKS, SEAMS, AND WALLS.
 - REINFORCED CONCRETE WITH PRESSURE OF 3000 PSI AND SOIL PRESSURE OF 2500 PSF.
 - CHEMICAL ANCHOR BOLTS HIT-HY 200 +3/4" HAS-B-105.
 - CONCRETE MUST CONTAIN A MINIMUM OF WIRE MESH REINFORCEMENT.
 - IT IS THE RESPONSIBILITY OF THE DEALER AND END USER TO VALIDATE THE MOUNTING STRUCTURE IS SUFFICIENT TO RESIST CRANE LOADINGS. GORBEL ASSUMES NO LIABILITY FOR FAILURES OF EQUIPMENT OR STRUCTURES NOT SUPPLIED BY GORBEL.
 1) DO NOT SCALE FROM THIS DRAWING.



42" DIA BOLT CIRCLE
 1 1/4" DIA BOLT
 2" OFFSET TYP
 12 BOLT
 BASE BOLT PATTERN
 1 1/4" BASE PLATE THICKNESS AT ANCHOR BOLT
 VIEW A-A
 NOT TO SCALE

CONFIDENTIAL

CREATED BY: BOHL CRANE INC

GORBEL

600 FISHERS RUN
 P.O. BOX 593
 FISHERS, NY 14453-0593

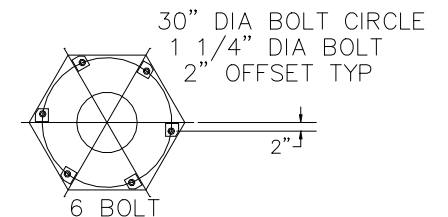
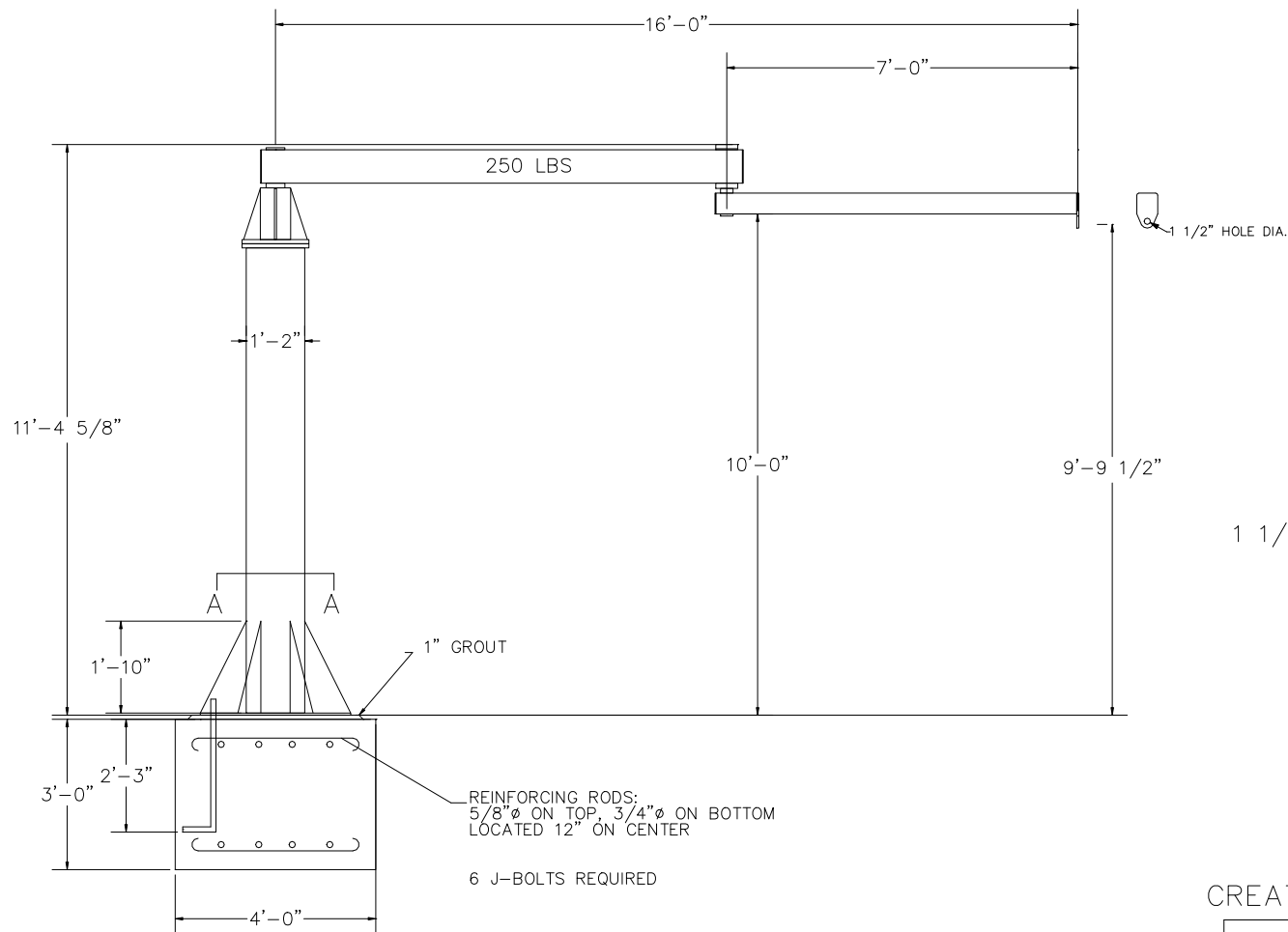
AJ360-F-2000-10-10

CAPACITY: 2000 LBS
 SPAN: 10'
 H.U.B.: 10'
 QUANTITY: 1
 SHIPPING WT.: 2253 LBS

DRAWN:	DATE: 7/24/2023
C.O.#: ANTSMI00006	P/N: ANTSMI00006.0A

1) JIB CRANE FOUNDATION REQUIREMENTS ARE BASED ON A SOIL PRESSURE OF 2500 LBS PER SQUARE FOOT. CONCRETE RECOMMENDED FOR JIB CRANE FOUNDATION IS 3000 LBS PER SQUARE INCH OF COMPRESSIVE FORCE.
 2) DO NOT SCALE FROM THIS DRAWING.

REINFORCING RODS:
 5/8" ϕ ON TOP, 3/4" ϕ ON BOTTOM
 LOCATED 12" ON CENTER
 12 J-BOLTS REQUIRED



30" DIA BOLT CIRCLE
 1 1/4" DIA BOLT
 2" OFFSET TYP
 6 BOLT
 BASE BOLT PATTERN
 1 1/4" BASE PLATE THICKNESS AT ANCHOR BOLT
 VIEW A-A
 NOT TO SCALE

CONFIDENTIAL

CREATED BY: BOHL CRANE INC

GORBEL

600 FISHERS RUN
 P.O. BOX 593
 FISHERS, NY 14453-0593

AJ360-F-250-10-16

CAPACITY: 250 LBS

SPAN: 16'

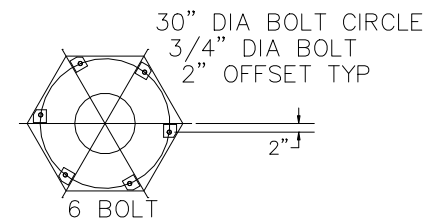
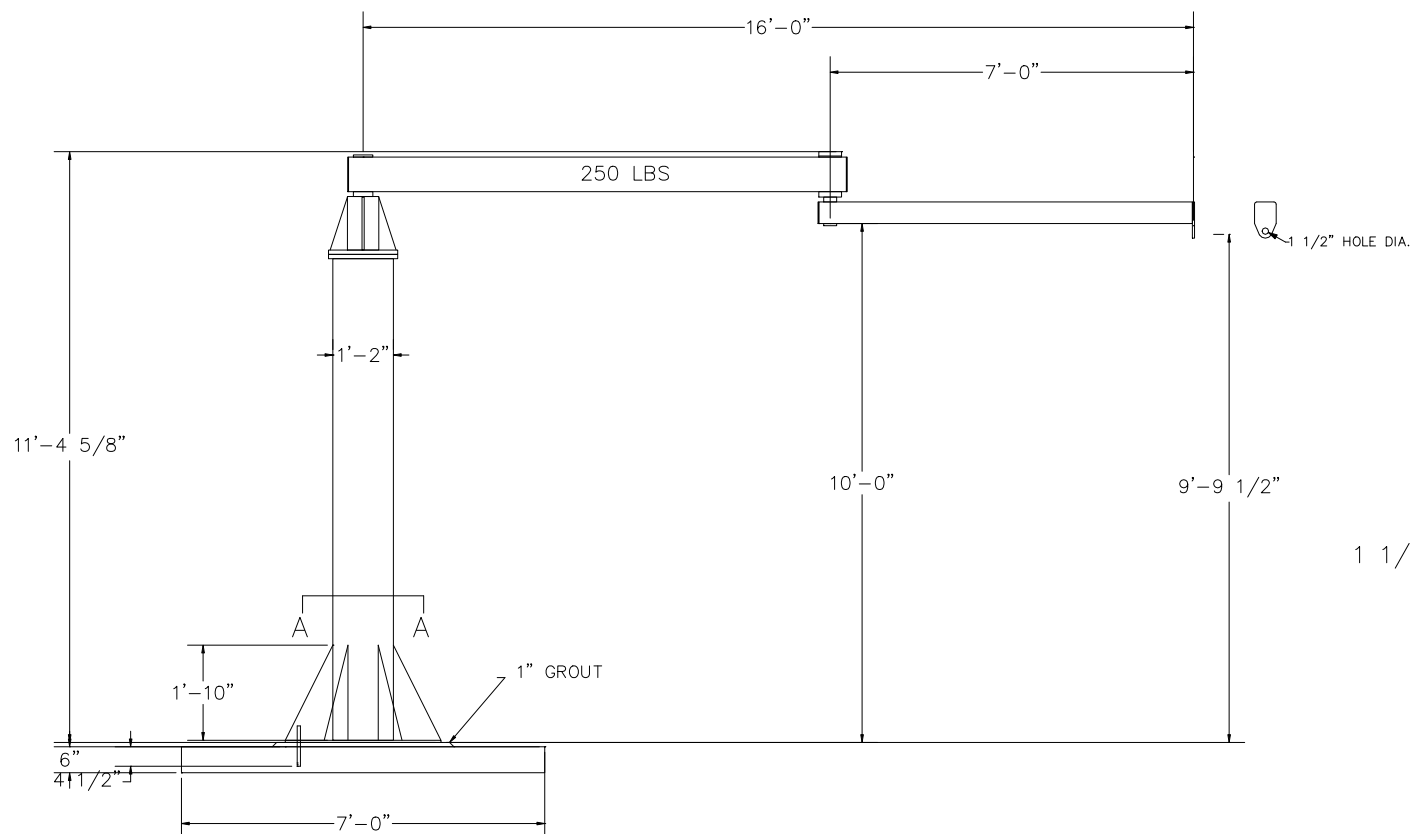
H.U.B.: 10'

QUANTITY: 1

SHIPPING WT.: 1298 LBS

DRAWN:	DATE: 7/24/2023
C.O.#: ANTSMI00006	P/N: ANTSMI00006.0A

1) JIB CRANE FOUNDATION REQUIREMENTS ARE BASED ON A SOIL PRESSURE OF 2500 LBS PER SQUARE FOOT. CONCRETE RECOMMENDED FOR JIB CRANE FOUNDATION IS 3000 LBS PER SQUARE INCH OF COMPRESSIVE FORCE.
 2) DO NOT SCALE FROM THIS DRAWING.



30" DIA BOLT CIRCLE
 3/4" DIA BOLT
 2" OFFSET TYP
 6 BOLT
 BASE BOLT PATTERN
 1 1/4" BASE PLATE THICKNESS AT ANCHOR BOLT
 VIEW A-A
 NOT TO SCALE

CONFIDENTIAL

CREATED BY: BOHL CRANE INC

GORBEL

600 FISHERS RUN
 P.O. BOX 593
 FISHERS, NY 14453-0593

AJ360-F-NP6-250-10-16

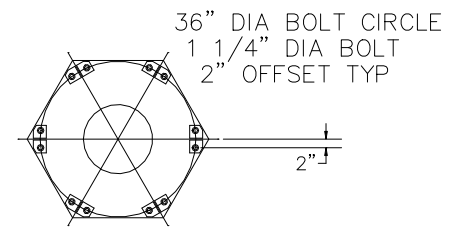
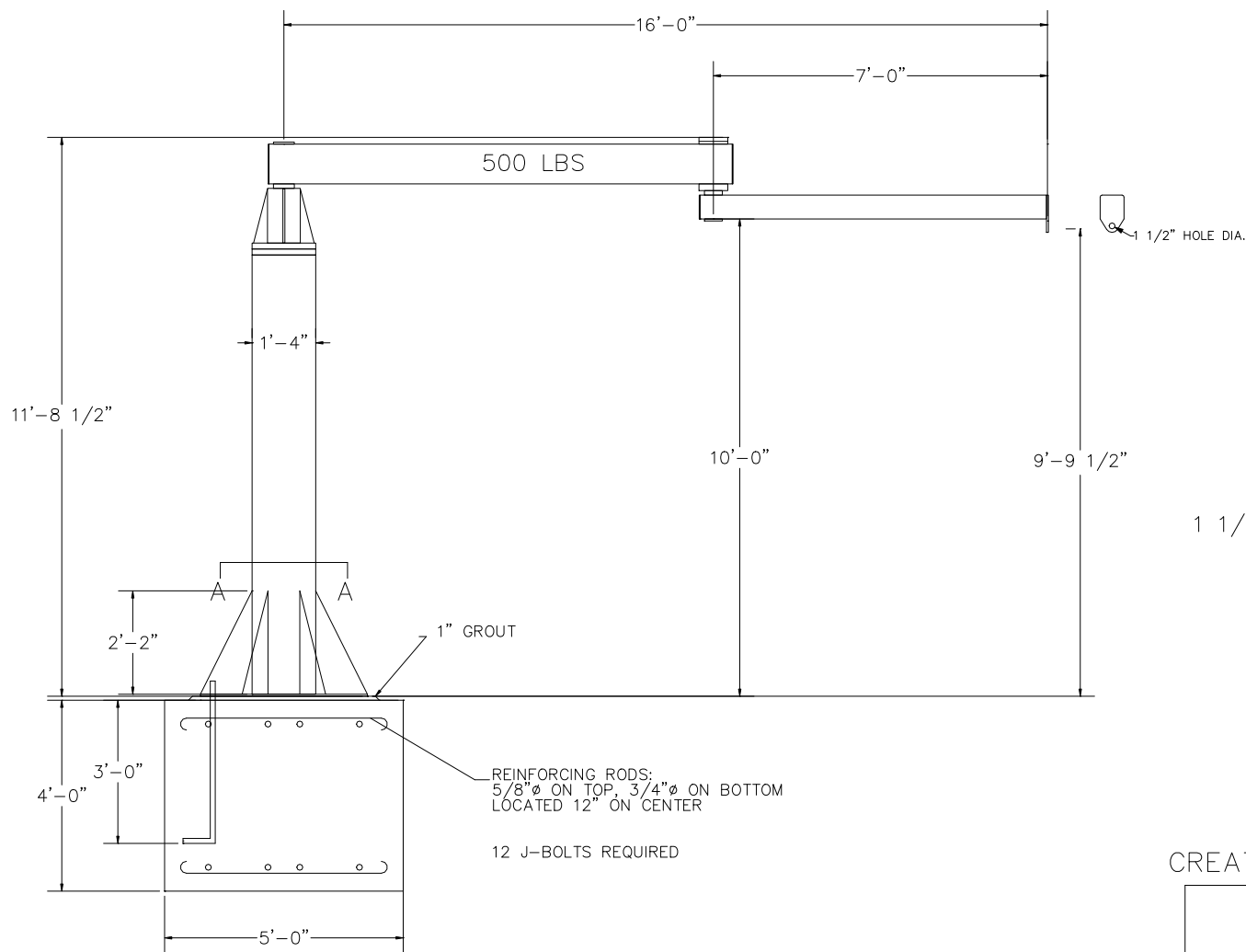
CAPACITY: 250 LBS
 SPAN: 16'
 H.U.B.: 10'
 QUANTITY: 1
 SHIPPING WT.: 1308 LBS

DRAWN:	DATE: 7/24/2023
C.O.#: ANTSMI00006	P/N: ANTSMI00006.0A

FOUNDATIONLESS REQUIREMENTS:

- CENTERED ON A SQUARE FOOT AREA THAT IS FREE FROM CRACKS, SEAMS, AND WALLS.
- REINFORCED CONCRETE WITH PRESSURE OF 3000 PSI AND SOIL PRESSURE OF 2500 PSF.
- CHEMICAL ANCHOR BOLTS HIT-HY 200 +3/4" HAS-B-105.
- CONCRETE MUST CONTAIN A MINIMUM OF WIRE MESH REINFORCEMENT.
- IT IS THE RESPONSIBILITY OF THE DEALER AND END USER TO VALIDATE THE MOUNTING STRUCTURE IS SUFFICIENT TO RESIST CRANE LOADINGS. GORBEL ASSUMES NO LIABILITY FOR FAILURES OF EQUIPMENT OR STRUCTURES NOT SUPPLIED BY GORBEL.

1) DO NOT SCALE FROM THIS DRAWING.



36" DIA BOLT CIRCLE
 1 1/4" DIA BOLT
 2" OFFSET TYP
 12 BOLT
 BASE BOLT PATTERN
 1 1/4" BASE PLATE THICKNESS AT ANCHOR BOLT
 VIEW A-A
 NOT TO SCALE

CONFIDENTIAL

CREATED BY: BOHL CRANE INC

GORBEL

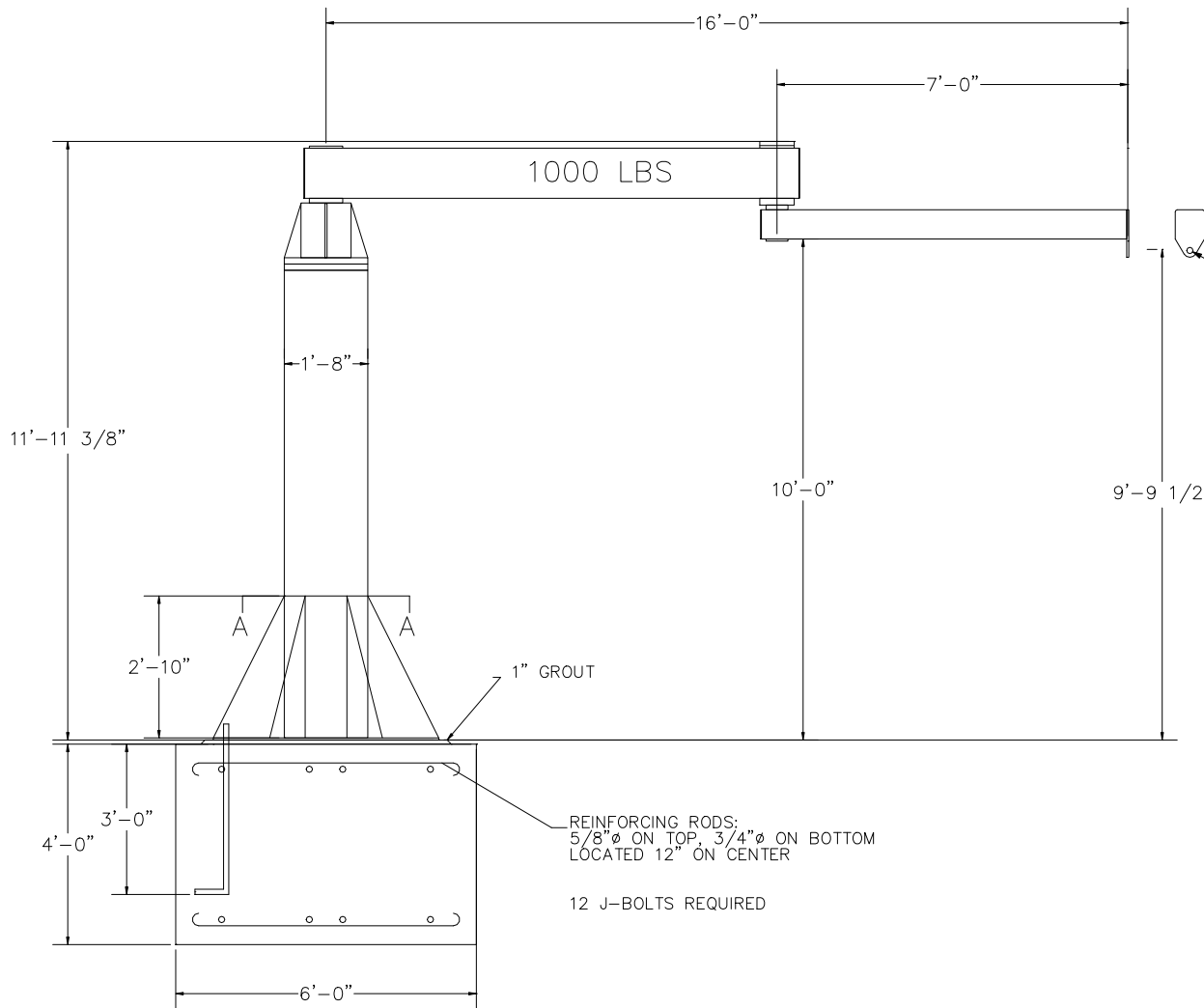
600 FISHERS RUN
 P.O. BOX 593
 FISHERS, NY 14453-0593

AJ360-F-500-10-16

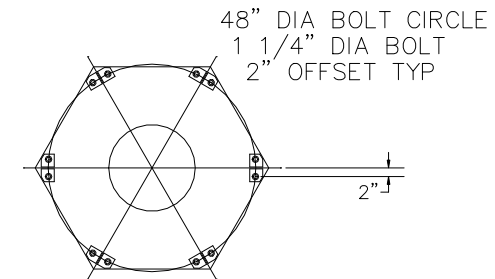
CAPACITY: 500 LBS
 SPAN: 16'
 H.U.B.: 10'
 QUANTITY: 1
 SHIPPING WT.: 1729 LBS

DRAWN:	DATE: 7/24/2023
C.O.#: ANTSMI00006	P/N: ANTSMI00006.0A

1) JIB CRANE FOUNDATION REQUIREMENTS ARE BASED ON A SOIL PRESSURE OF 2500 LBS PER SQUARE FOOT. CONCRETE RECOMMENDED FOR JIB CRANE FOUNDATION IS 3000 LBS PER SQUARE INCH OF COMPRESSIVE FORCE.
 2) DO NOT SCALE FROM THIS DRAWING.



1 1/2" HOLE DIA.



48" DIA BOLT CIRCLE
 1 1/4" DIA BOLT
 2" OFFSET TYP
 12 BOLT
 BASE BOLT PATTERN
 1 1/4" BASE PLATE THICKNESS AT ANCHOR BOLT
 VIEW A-A
 NOT TO SCALE

CONFIDENTIAL

CREATED BY: BOHL CRANE INC

GORBEL

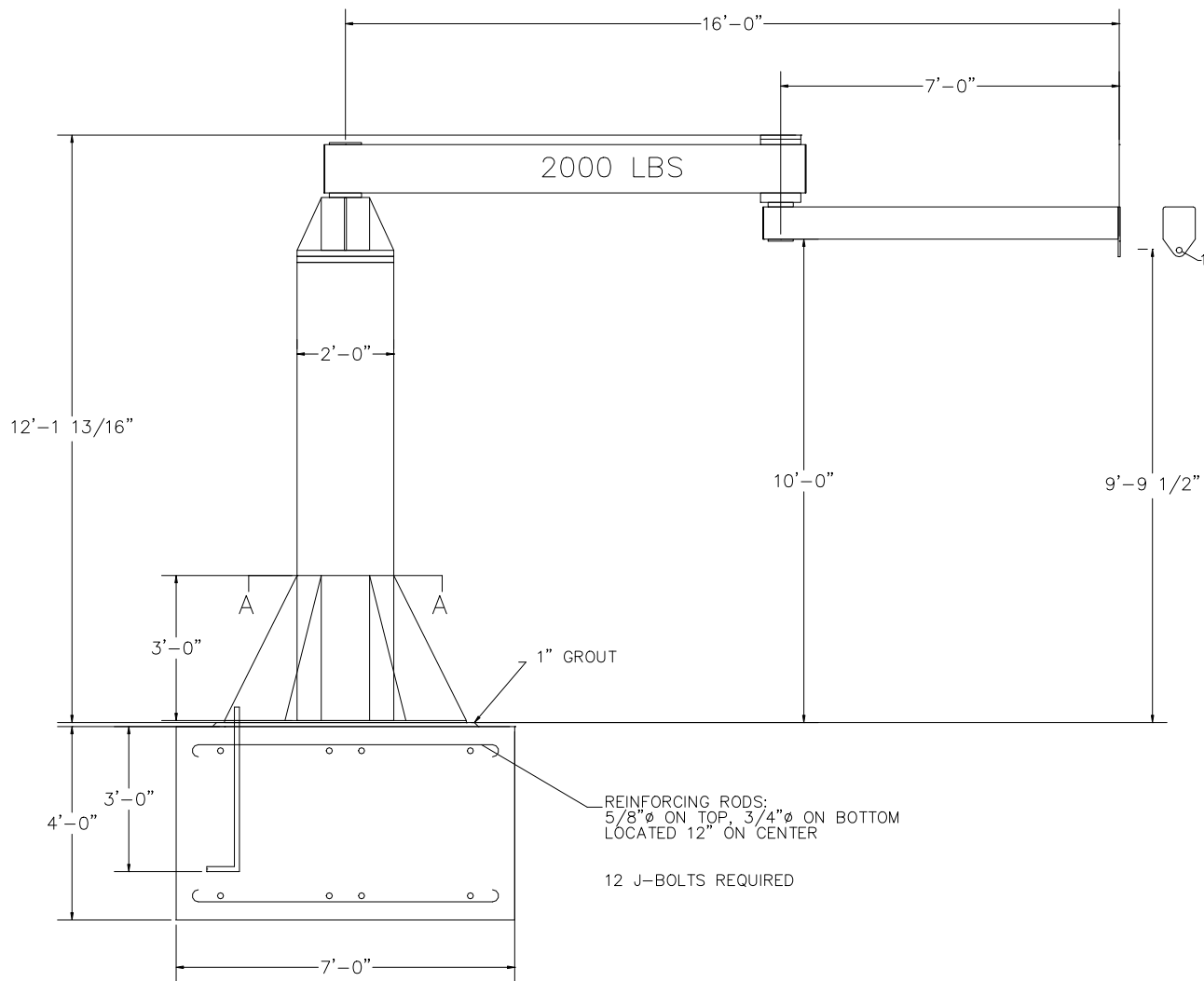
600 FISHERS RUN
 P.O. BOX 593
 FISHERS, NY 14453-0593

AJ360-F-1000-10-16

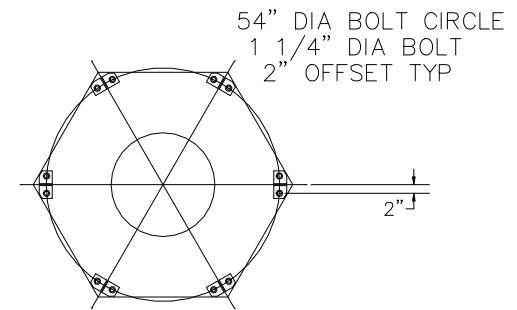
CAPACITY: 1000 LBS
 SPAN: 16'
 H.U.B.: 10'
 QUANTITY: 1
 SHIPPING WT.: 2945 LBS

DRAWN:	DATE: 7/24/2023
C.O.#: ANTSMI00006	P/N: ANTSMI00006.0A

1) JIB CRANE FOUNDATION REQUIREMENTS ARE BASED ON A SOIL PRESSURE OF 2500 LBS PER SQUARE FOOT. CONCRETE RECOMMENDED FOR JIB CRANE FOUNDATION IS 3000 LBS PER SQUARE INCH OF COMPRESSIVE FORCE.
 2) DO NOT SCALE FROM THIS DRAWING.



1 1/2" HOLE DIA.



54" DIA BOLT CIRCLE
 1 1/4" DIA BOLT
 2" OFFSET TYP

12 BOLT
 BASE BOLT PATTERN
 1 1/4" BASE PLATE THICKNESS AT ANCHOR BOLT
 VIEW A-A
 NOT TO SCALE

CONFIDENTIAL

CREATED BY: BOHL CRANE INC

GORBEL

600 FISHERS RUN
 P.O. BOX 593
 FISHERS, NY 14453-0593

AJ360-F-2000-10-16

CAPACITY: 2000 LBS
 SPAN: 16'
 H.U.B.: 10'
 QUANTITY: 1
 SHIPPING WT.: 3453 LBS

DRAWN:	DATE: 7/24/2023
C.O.#: ANTSMI00006	P/N: ANTSMI00006.0A

1) JIB CRANE FOUNDATION REQUIREMENTS ARE BASED ON A SOIL PRESSURE OF 2500 LBS PER SQUARE FOOT. CONCRETE RECOMMENDED FOR JIB CRANE FOUNDATION IS 3000 LBS PER SQUARE INCH OF COMPRESSIVE FORCE.
 2) DO NOT SCALE FROM THIS DRAWING.

REINFORCING RODS:
 5/8"Ø ON TOP, 3/4"Ø ON BOTTOM
 LOCATED 12" ON CENTER

12 J-BOLTS REQUIRED