

CONFIDENTIAL

CREATED BY: BOHL CRANE INC

GORBEL

600 FISHERS RUN
P.O. BOX 593
FISHERS, NY 14453-0593

AG-1-15/18-12

CAPACITY: 1 TONS
SPAN: 12 FT
H.U.B.: 15 - 18'
QUANTITY: 1
SHIPPING WT.: 767 LBS

DRAWN: GORBEL

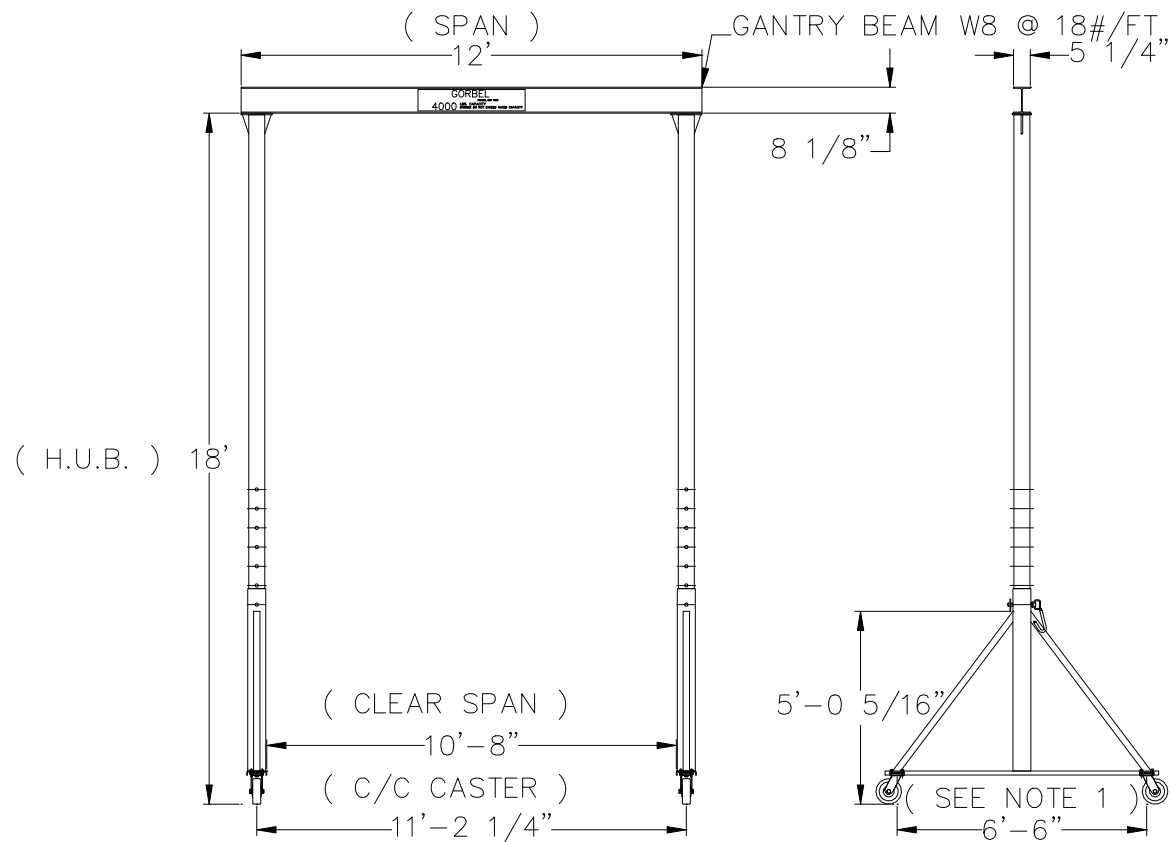
DATE: 7/21/2023

C.O.#: ANTSMI00006

P/N: ANTSMI00006.0A

MAXIMUM HEIGHT: 18'-6"
MINIMUM HEIGHT: 15'-6"
ADJUSTMENT HOLE SPACING: 6"

1. PIVOT CENTER TO PIVOT CENTER OF CASTERS



CONFIDENTIAL

CREATED BY: BOHL CRANE INC

GORBEL

600 FISHERS RUN
P.O. BOX 593
FISHERS, NY 14453-0593

AG-2-15/18-12

CAPACITY: 2 TONS
SPAN: 12 FT
H.U.B.: 15 - 18'
QUANTITY: 1
SHIPPING WT.: 1056 LBS

DRAWN: GORBEL

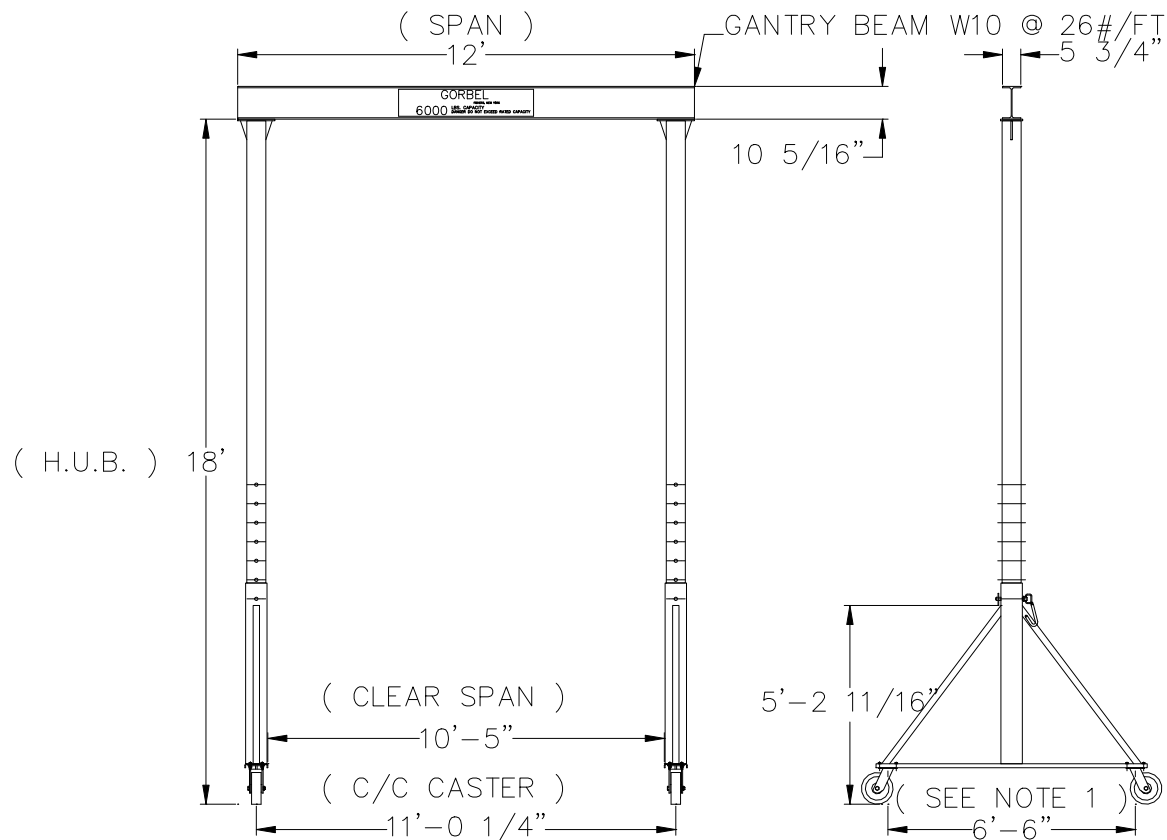
DATE: 7/21/2023

C.O.#: ANTSMI00006

P/N: ANTSMI00006.0A

MAXIMUM HEIGHT: 18'-8 1/8"
MINIMUM HEIGHT: 15'-8 1/8"
ADJUSTMENT HOLE SPACING: 6"

1. PIVOT CENTER TO PIVOT CENTER OF CASTERS



CONFIDENTIAL

CREATED BY: BOHL CRANE INC

GORBEL

600 FISHERS RUN
P.O. BOX 593
FISHERS, NY 14453-0593

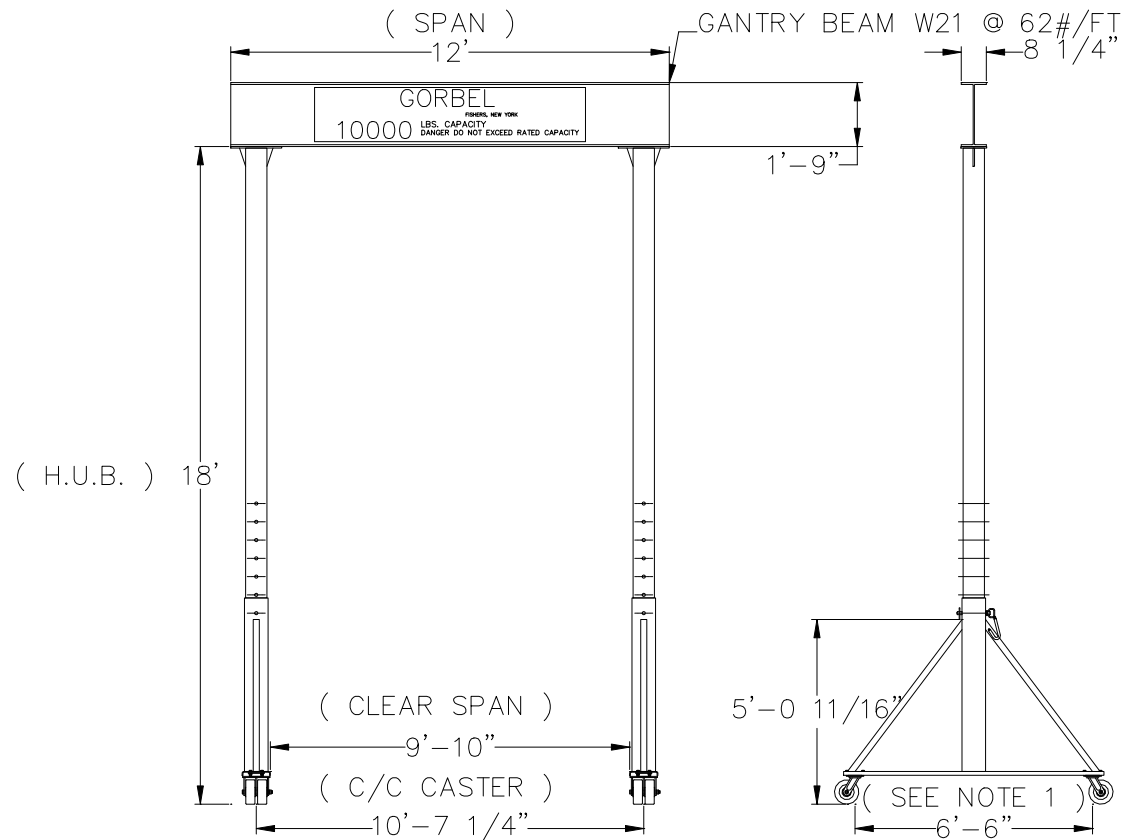
AG-3-15/18-12

CAPACITY: 3 TONS
SPAN: 12 FT
H.U.B.: 15 - 18'
QUANTITY: 1
SHIPPING WT.: 1384 LBS

DRAWN: GORBEL	DATE: 7/21/2023
C.O.#: ANTSMI00006	P/N: ANTSMI00006.0A

MAXIMUM HEIGHT: 18'-10 5/16"
MINIMUM HEIGHT: 15'-10 5/16"
ADJUSTMENT HOLE SPACING: 6"

1. PIVOT CENTER TO PIVOT CENTER OF CASTERS



CONFIDENTIAL

CREATED BY: BOHL CRANE INC

GORBEL

600 FISHERS RUN
P.O. BOX 593
FISHERS, NY 14453-0593

AG-5-15/18-12

CAPACITY: 5 TONS
SPAN: 12 FT
H.U.B.: 15 - 18'
QUANTITY: 1
SHIPPING WT.: 2036 LBS

MAXIMUM HEIGHT: 19'-9"
MINIMUM HEIGHT: 16'-9"
ADJUSTMENT HOLE SPACING: 6"

1. PIVOT CENTER TO PIVOT CENTER OF CASTERS

DRAWN: GORBEL	DATE: 7/21/2023
C.O.#: ANTSMI00006	P/N: ANTSMI00006.0A