
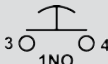
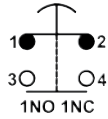
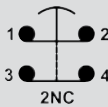
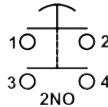


80 Series Pendant Switches

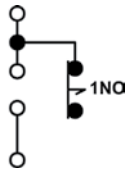
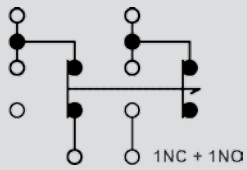
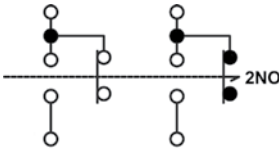
Push Lock Twist-Release Mushroom Switch



Part No.	No. of Wires*	Contact Configuration
34313	1	
37122	1	
37123	2	
37124	2	
37125	2	

Alternating Push Button Switch

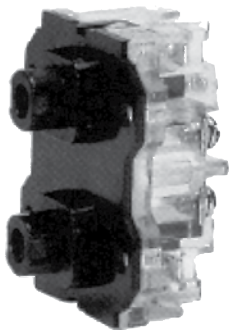


Part No.	No. of Wires*	Contact Configuration
34299	1	
34300	1	
37126	2	

* Typical wiring - for general information only. Number of wires will vary depending on the wiring method used.

80 Series Pendant Switches

Momentary 1-Speed with Mechanical Interlock



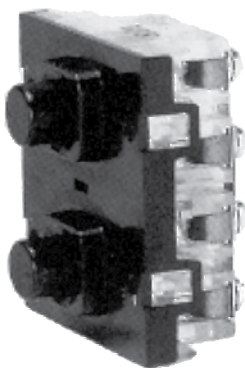
Part No.	No. of Wires*	Contact Configuration
34294	2	
34295	2	

Momentary Single Button



Part No.	No. of Wires*	Contact Configuration
34305	1	
34306	1	
34307	2	
37114	2	
37199	2	

Momentary 2-Speed with Mechanical Interlock

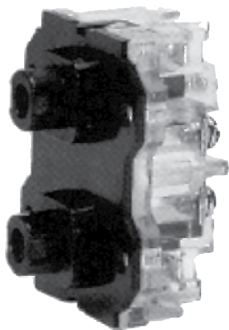


Part No.	No. of Wires*	Contact Configuration
34296	3	
34297	3	
34298	3	Same as 34297, but with delayed opening of contacts 7 & 8 "Break Before Make" contact arrangement

* Typical wiring - for general information only. Number of wires will vary depending on the wiring method used.

80 Series Pendant Switches

Momentary 1-Speed with Mechanical Interlock



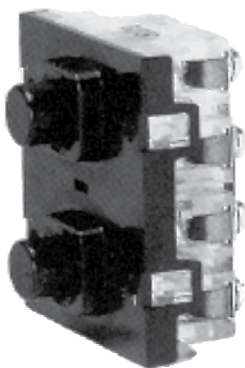
Part No.	No. of Wires*	Contact Configuration
34294	2	
34295	2	

Momentary Single Button



Part No.	No. of Wires*	Contact Configuration
34305	1	
34306	1	
34307	2	
37114	2	
37199	2	

Momentary 2-Speed with Mechanical Interlock

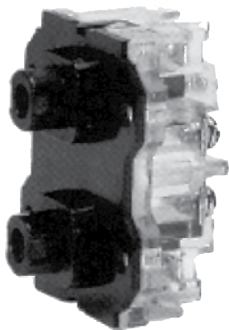


Part No.	No. of Wires*	Contact Configuration
34296	3	
34297	3	
34298	3	Same as 34297, but with delayed opening of contacts 7 & 8 "Break Before Make" contact arrangement

* Typical wiring - for general information only. Number of wires will vary depending on the wiring method used.

80 Series Pendant Switches

Momentary 1-Speed with Mechanical Interlock



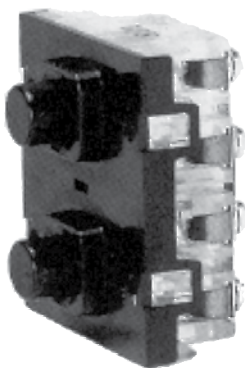
Part No.	No. of Wires*	Contact Configuration
34294	2	
34295	2	

Momentary Single Button



Part No.	No. of Wires*	Contact Configuration
34305	1	
34306	1	
34307	2	
37114	2	
37199	2	

Momentary 2-Speed with Mechanical Interlock



Part No.	No. of Wires*	Contact Configuration
34296	3	
34297	3	
34298	3	Same as 34297, but with delayed opening of contacts 7 & 8 "Break Before Make" contact arrangement

* Typical wiring - for general information only. Number of wires will vary depending on the wiring method used.