

INSTRUCTIONS FOR PRINTING AND ASSEMBLY

A4 BINDER COVERS

Print the covers onto good quality A4 paper and trim off the white edges using scissors or a ruler and craft knife. Then insert each cover into the front of an A4 binder for an instant binder facelift!

A5 BINDER COVERS

Print the covers onto good quality A4 paper and cut out using scissors or a ruler and craft knife. Then insert each cover into the front of an A5 binder.

NOTEBOOK COVERS (Best suited to notebooks sized A6 or smaller)

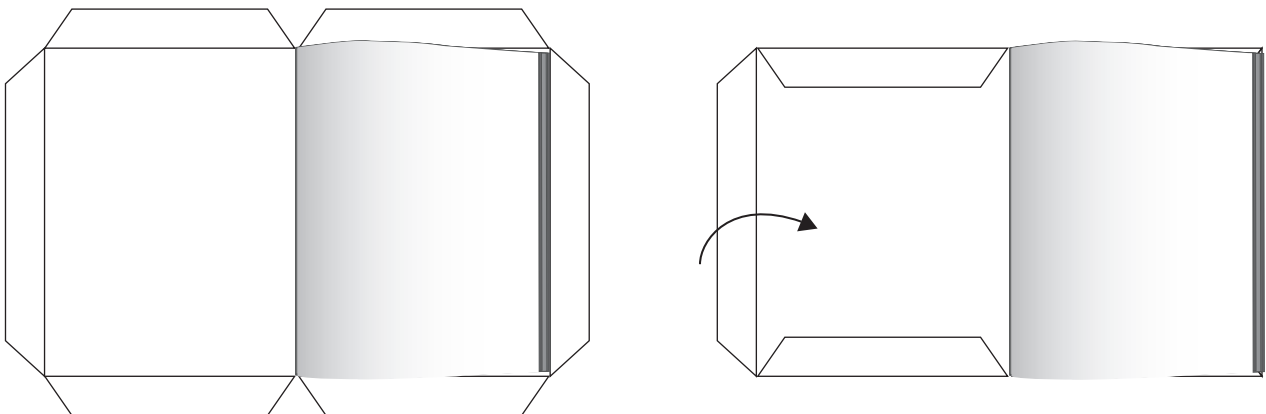
Print the covers onto good quality A4 paper and cut out using scissors or a ruler and craft knife.

Lay your notebook in the centre of the printed cover.

Cut away sections of the printed cover at the corners and near the spine so you create tabs as illustrated below.

Then fold each of the tabs over and glue them onto the inside of your notebook cover.

NB: Notebooks come in all shapes and sizes, so make sure you test out the size of the printed cover to make sure it fits your notebook (and that the text is properly centred on the front cover) before gluing down the tabs.



'THIS GIRL MEANS BUSINESS' NOTEBOOK COVER

THIS GIRL
MEANS
business



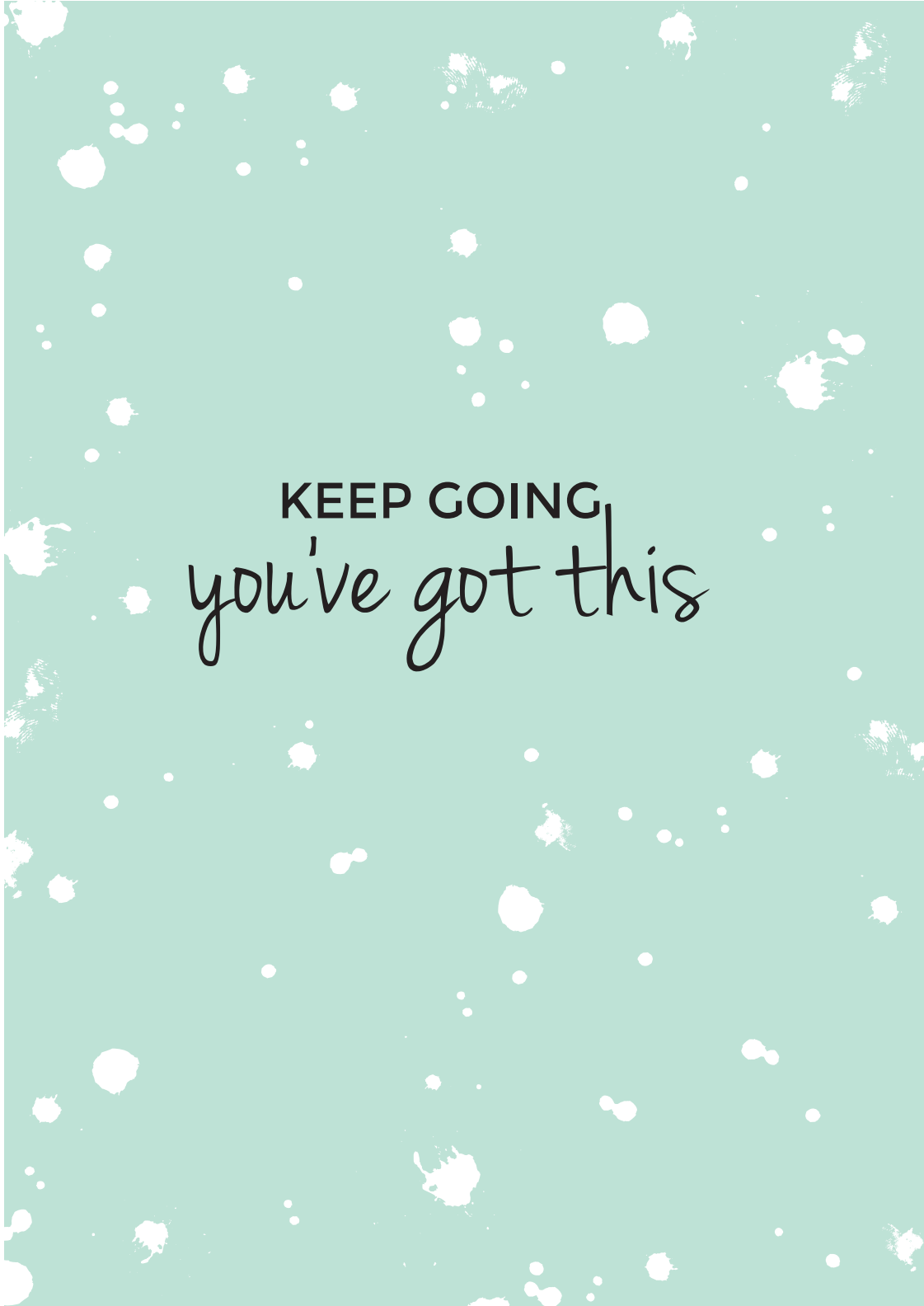
KEEP GOING
you've got this



'THIS GIRL MEANS BUSINESS' A5 BINDER COVER



'KEEP GOING YOU'VE GOT THIS' A5 BINDER COVER



The background is a solid light pink color, decorated with numerous white bokeh spots of varying sizes and soft, out-of-focus edges, creating a dreamy, starry effect.

**THIS GIRL
MEANS**
business

The background is a solid teal color, decorated with numerous white splatters and dots of varying sizes scattered across the surface. The splatters are irregular and organic in shape, while the dots are small and circular.

KEEP GOING,
you've got this