

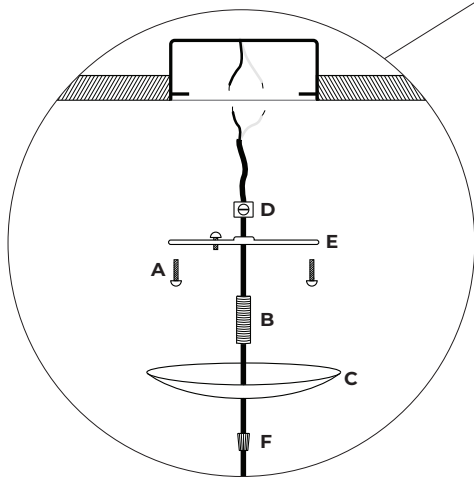
PENDANT INSTALLATION INSTRUCTIONS

CAUTION

Be sure the power is turned off by either removing the fuse or shutting off the circuit breaker. Installing your Niche pendant is pretty straight forward, but we always suggest that you work with a certified electrician to ensure proper installation. An electrician can also install your lights on a dimmer switch if using dimmable bulbs. This is highly recommended.

1 SET DROP LENGTH

Measure twice, cut once! Make sure your pendant hangs at the right height by setting your drop length ahead of time. Once you calculate your **finished** drop length from ceiling to the top of the pendant, make sure and leave about 8" of extra cord for wiring inside the junction box.



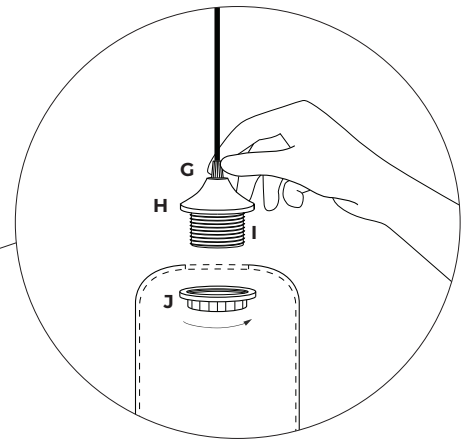
2 WIRE IT UP!

Your pendant includes everything you need to install directly into a junction box. Thread the wire-end of your cord through the included parts of the canopy kit, as pictured. Strip back about 6" of the outer sheathing wire (be careful not to cut the inner wires). The inner wires can be connected to the hot and neutral wires in your junction box. Connect the light fixture wires to the wires in the junction box, followed by attaching the crossbar (E) & the canopy (C).

Your electrician will be able to help you with these steps!

STANDARD CANOPY KIT INCLUDES

- A MOUNTING SCREWS
- B NIPPLE PIPE
- C CANOPY
- D WIRE STRAIN RELIEF
- E CROSSBAR
- F CANOPY STRAIN RELIEF
- G GLASS STRAIN RELIEF
- H SOCKET COVER
- I THREADED SOCKET
- J SHADE RING



3 THE FINAL MOMENT

When attaching the glass shade onto the cord, remove the shade ring (J) from the threaded socket (I). When doing so, it is important to only grip the glass strain release (G) on the top of the socket cover (H), not the socket cover itself. Hold this strain release when re-attaching the shade ring to hang glass and when removing glass to clean.

Finally, insert the bulb, turn the circuit breaker back on and flip the switch. Prepare to be illuminated!

