

AURORA PENDANT

ITEM NO. PEN-AUR	DESIGNER JEREMY PYLES	DATE 2004	SERIES SILICA
------------------	-----------------------	-----------	---------------

The Aurora pendant takes its name from the phenomenon seen in the northern and southern skies when charged particles perform a dance of light as they enter the earth's magnetic field. One of the original Niche designs, the Aurora features a signature inward curve that showcases the nostalgic style bulb.

MATERIAL

Hand-blown glass

ELECTRICAL & HARDWARE

120V – 4' Black Cord Set supplied (can be cut on site)

Available as custom order

120V – Black Cord Set - 12' and 24' lengths

240V – Black Cord Set - 4' and 24' lengths

120V and 240V – Silver Cord Set - 12' and 24' lengths

Canopy

5" Black Ceiling Canopy supplied

5" White, Brushed Nickel, Polished Nickel available as custom order

LAMPING OPTIONS

Available in multiple LED and incandescent bulbs.

See product page for all lamping options, including 240v, wattage, and lumens.

LEAD TIME

Varies by quantity and color

Some colors stocked, contact Niche for details

DIMENSIONS

6"H x 11.5"W



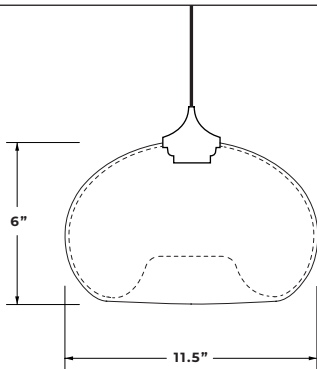
 UL AVAILABLE UPON REQUEST

FEATURED IN PHOTO

INCANDESCENT BEACON BULB

120V - Dimmable - See website for lamping wattage and lumens.

GLASS COLOR OPTIONS



CRYSTAL
PEN-AUR-CL



AMBER
PEN-AUR-AMB



SAPPHIRE
PEN-AUR-SAP



GRAY
PEN-AUR-GR



SMOKE
PEN-AUR-SM



PLUM
PEN-AUR-PLU