

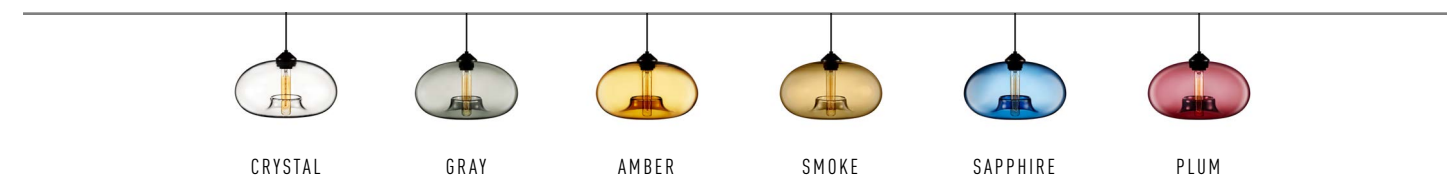


100%
HONEST-TO-GOODNESS



AURORA

PENDANT



PRODUCT DETAILS

The Aurora pendant takes its name from the phenomenon seen in the northern and southern skies when charged particles perform a dance of light as they enter the earth's magnetic field. One of the original Niche designs, the Aurora features our signature inward curvature that perfectly showcases the nostalgic style bulb.

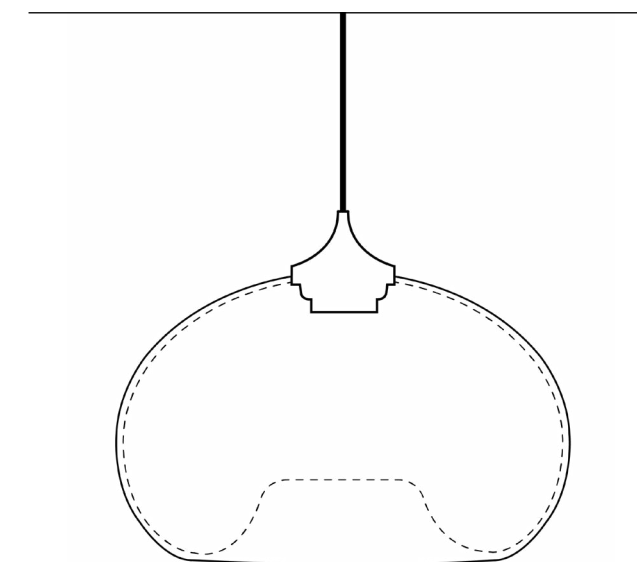
SPECIFICATIONS

Hand-blown glass

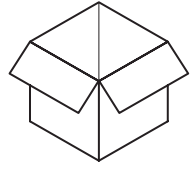
Includes: Glass Aurora shade, 4' black cord and 5" black ceiling canopy.

DIMENSIONS

6"H x 11.5"W

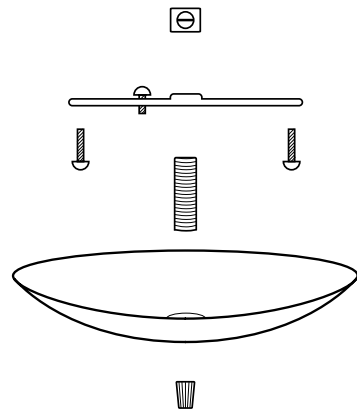




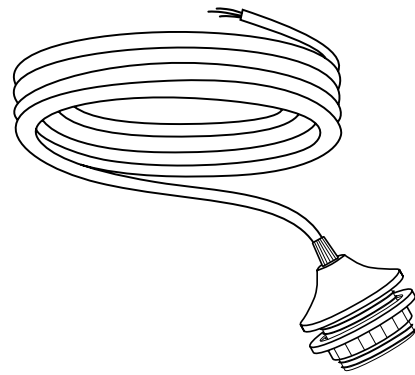


INSIDE THE BOX

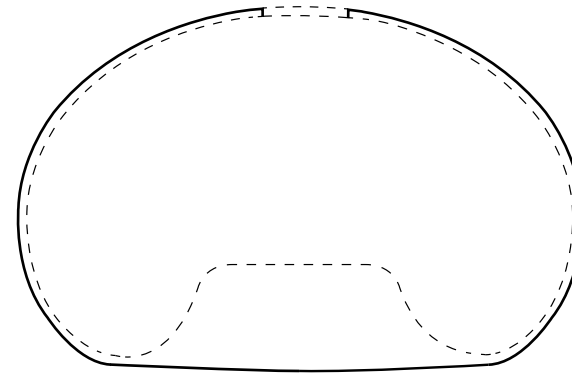
HERE'S WHAT'S INCLUDED!



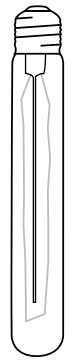
5" CEILING CANOPY



CORD SET



GLASS SHADE

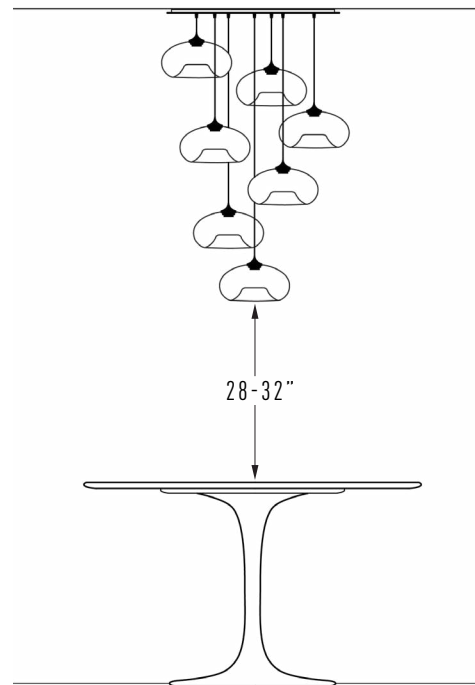


BULB

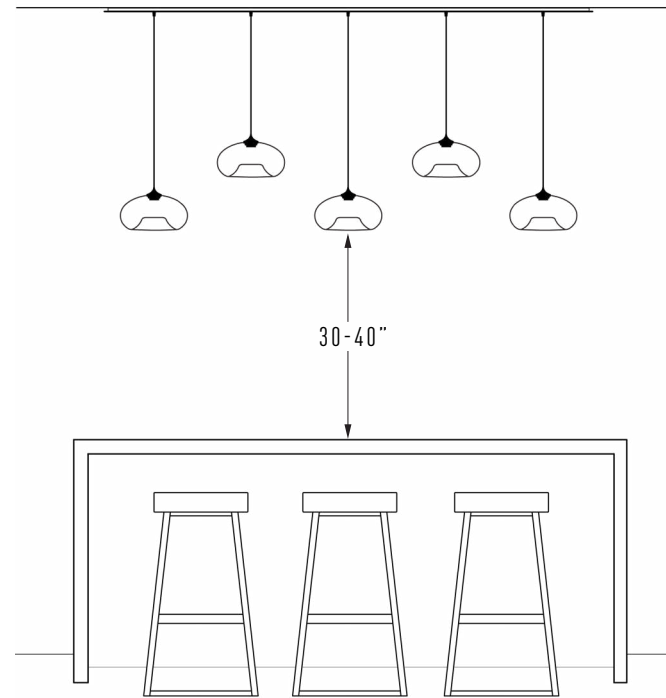


C O R D S E T S

H O W L O W C A N Y O U G O ?



RECOMMENDED
DISTANCE FROM TABLE TOP



RECOMMENDED
DISTANCE FROM COUNTER TOP

The standard 4' length that comes supplied with your Niche pendant should work for most installations. Your electrician can easily adjust the height up or down before installing so you can get it just right.

"A little higher. Now a little lower. Ok, perfect!"

A T T H E E N D O F Y O U R R O P E ?

All Niche cord sets can be cut on site to the desired length. To find out how much cord length you need just take the measurement from the floor to the ceiling and then subtract that from the distance from the floor to the bottom of the glass. It's easy and we're always here to help make sure you have exactly what you need.



S T A N D A R D 4 ' B L A C K C O R D S E T

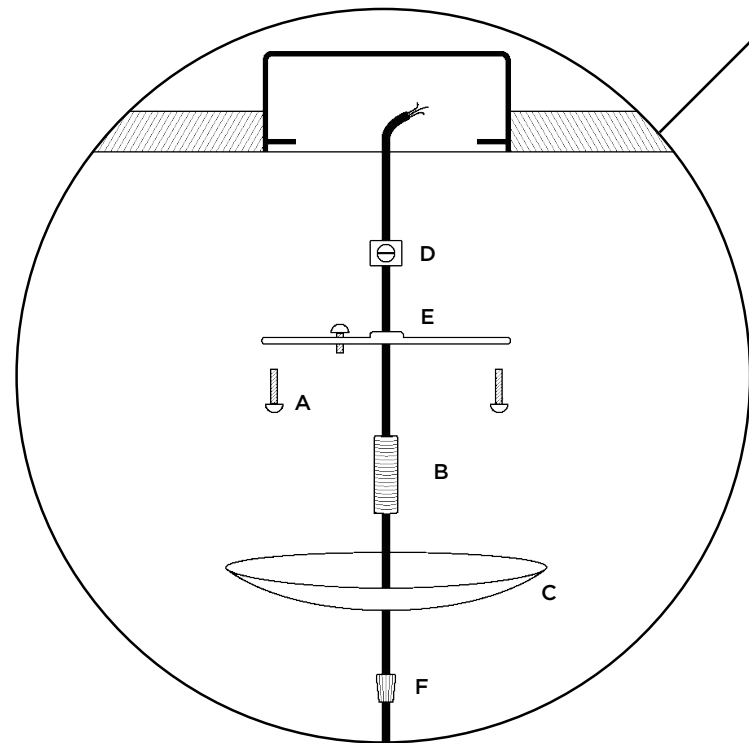
Our 4' black cord set comes standard with your order.

INSTALLATION

IN A NUTSHELL...

1 SET DROP LENGTH

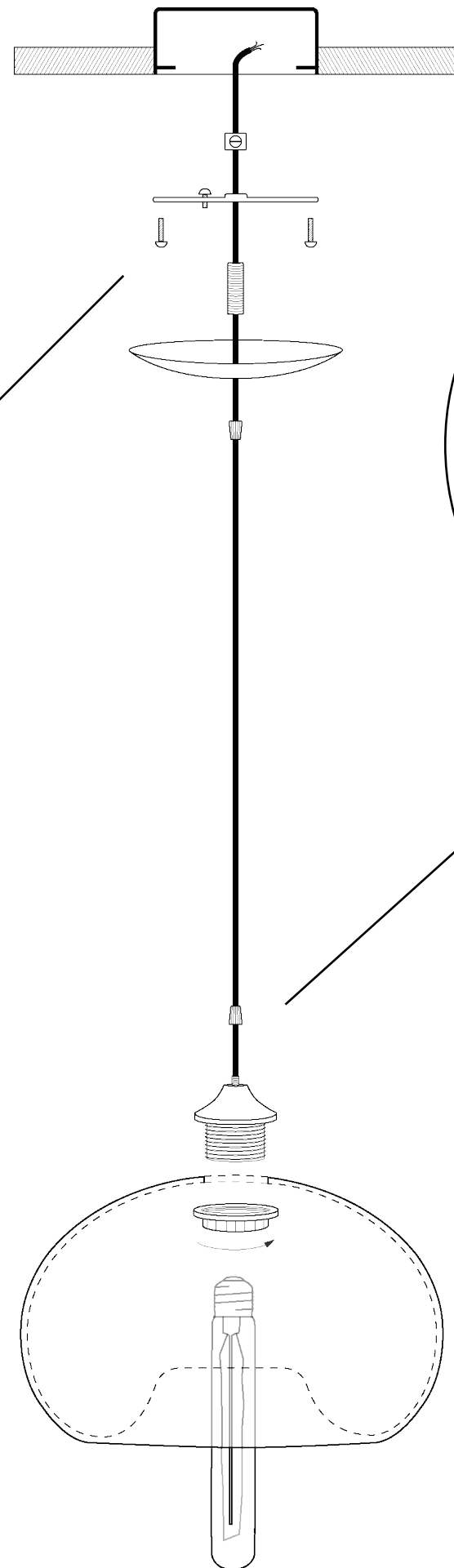
Measure twice, cut once! Make sure your pendant hangs at the right height by setting your drop length ahead of time.



2 WIRE IT UP!

Your pendant includes everything you need to install directly into a junction box. Thread the wire-end of your cord through the included parts of the canopy kit, as pictured. Connect the light fixture wires to the wires in the junction box, followed by attaching the crossbar (E) & the canopy (C).

Your electrician will be able to help you with these steps!



3 THE FINAL MOMENT

When attaching the glass shade onto the cord, remove (J) the shade ring from (I) the threaded socket. When doing so, it is important to only grip (G) the glass strain relief on the top of (H) the socket cover, not the socket cover itself. Hold this strain relief when re-attaching the shade ring to hang glass and when removing glass to clean.

Finally, insert your bulb & flip the switch!

CAUTION

Be sure the power is turned off by either removing the fuse or shutting off the circuit breaker. Installing your Niche pendant is pretty straightforward, but we always suggest that you work with a certified electrician to ensure proper installation. An electrician can also install your lights on a dimmer switch if using dimmable bulbs. This is highly recommended.

STANDARD CANOPY KIT INCLUDES

- A MOUNTING SCREWS
- B NIPPLE PIPE
- C CANOPY
- D WIRE STRAIN RELIEF
- E CROSSBAR
- F CANOPY STRAIN RELIEF
- G GLASS STRAIN RELIEF
- H SOCKET COVER
- I THREADED SOCKET
- J SHADE RING



- 100 - 120 V
- 220 - 240 V

The Aurora pendant can accommodate both 120 and 240 volt settings. 120v bulbs are included. For 240v bulbs please call or email us for options.

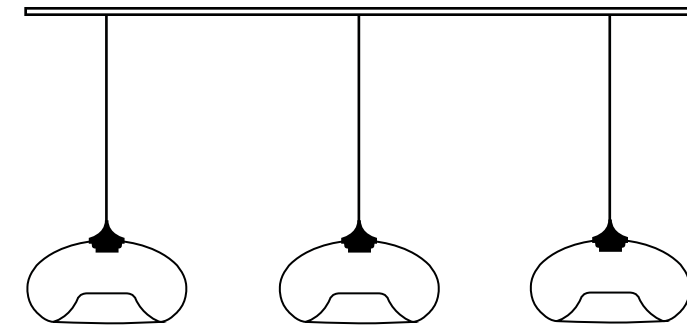
WHERE IN THE WORLD ARE YOU?
USE THIS MAP TO FIND YOUR VOLTAGE



LAMPING
OPTIONS



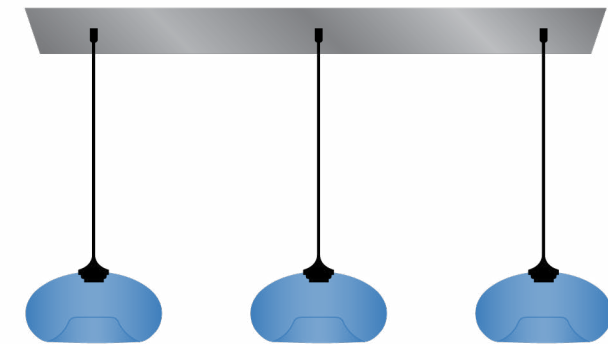
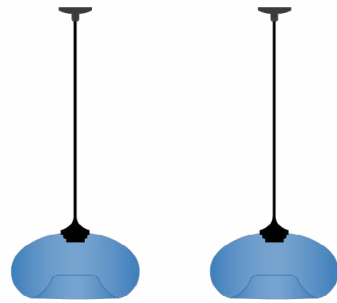
MULTI-PENDANT



INSTALLATION IDEAS

THE MORE THE MERRIER

HOW TO HANG MULTIPLE PENDANTS

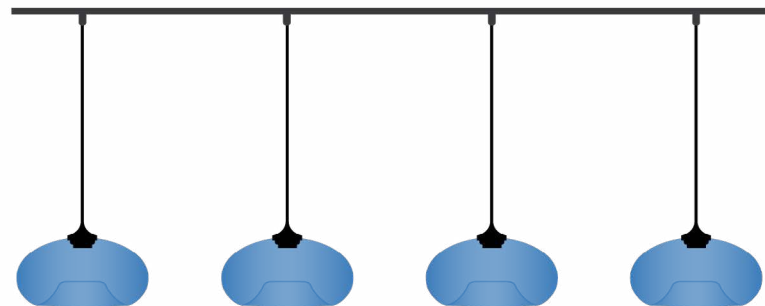


MULTIPLE JUNCTION BOXES

All Niche pendant lights ship with an individual canopy included. This allows for installation directly into a standard junction box. Selecting multiple pendants, whether it's 2 or 3 above a kitchen island, can help visually define your space. Each will require a separate junction box but the 5" dome canopy provides a classic look that works with multiple pendants.

MULTI-PENDANT CANOPY

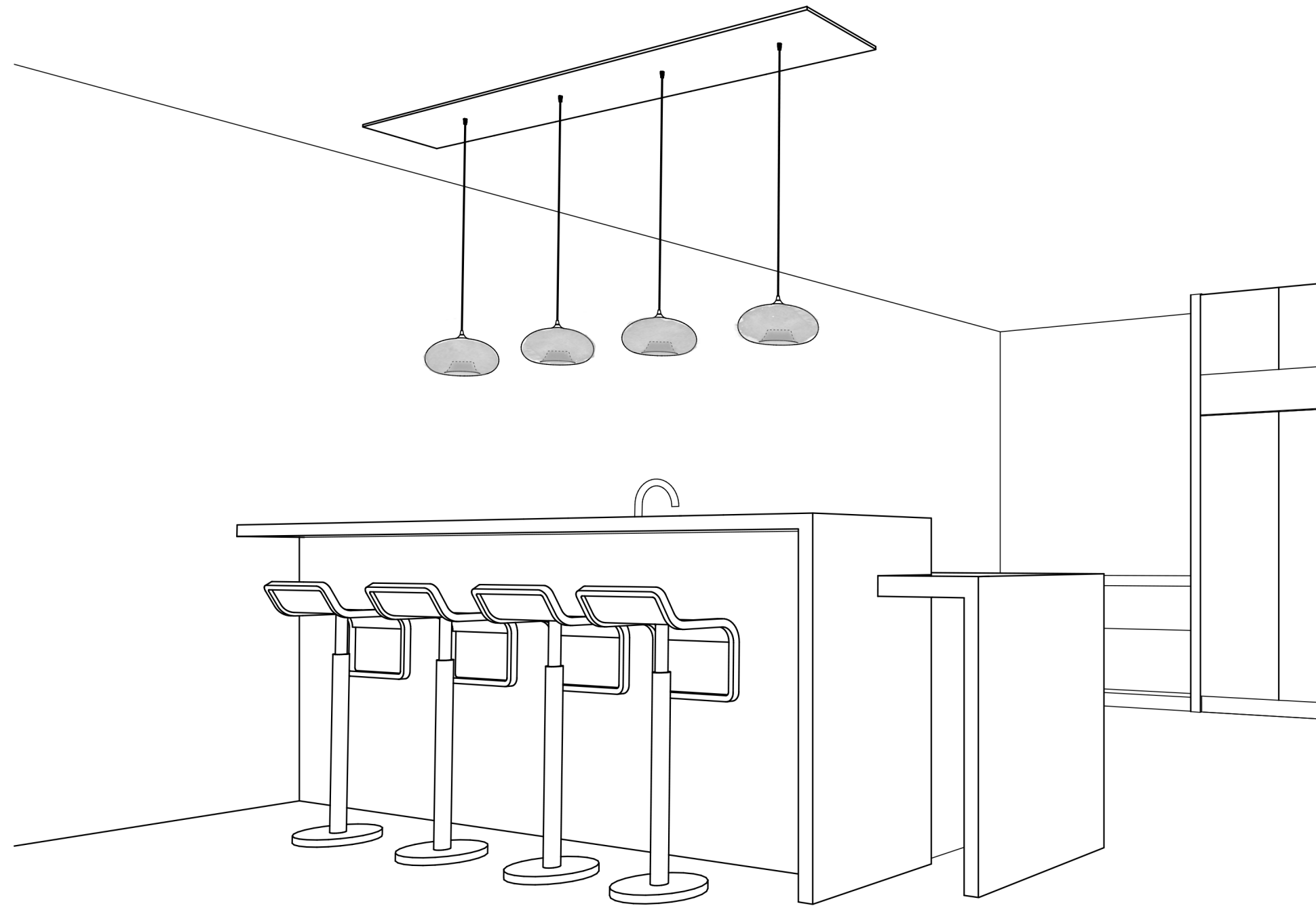
Electricians aren't cheap, so if you're planning on hanging more than one pendant you may want to look at our Multi-Pendant Canopy options. This way your electrician only needs one electrical junction box to hang multiple pendants. Choose from a number of our Circular or Linear canopies to hang 2, 3, 4 or more pendants.



TRACK LIGHTING

Track lighting allows you to hang multiple pendants with the freedom to move and position the lights anywhere along the track grooves. Ask your electrician about installation options. Niche pendants are compatible with Halo, Juno and Lightolier line voltage track systems. Niche can provide Halo compatible track connectors which your electrician can wire at the desired height.

INSPIRATIONAL SETTINGS



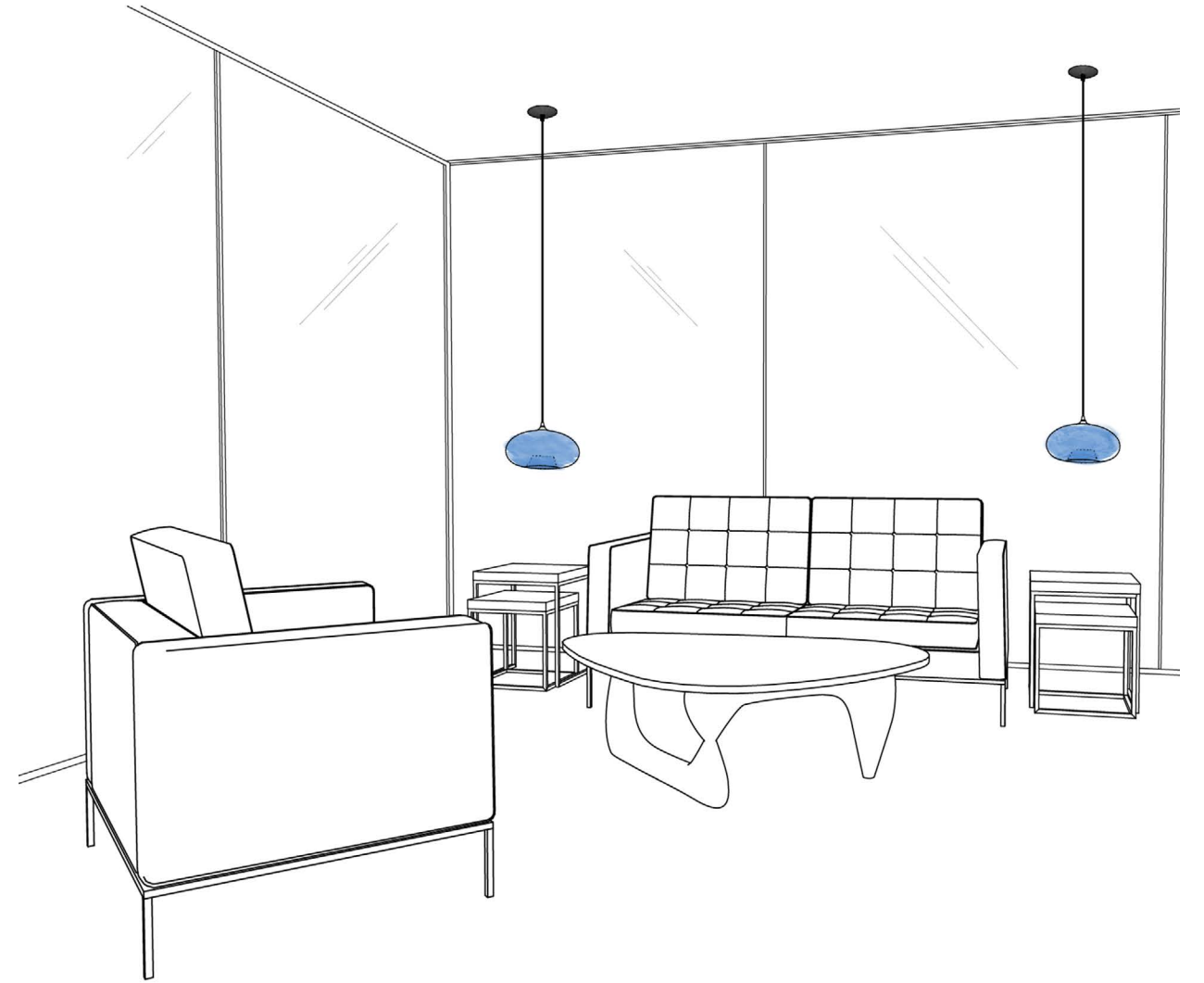
MULTI-PENDANT CANOPY

Bring contemporary lighting to your kitchen island! A Niche Linear 4 Canopy only requires a single junction box. This makes it effortless to freshen up your space with great design.



TRACK LIGHTING

Serve up your meals and drinks with added style - use traditional track lighting with the Aurora pendants over your dining table. Mix colors, stagger or add other pendants to make it truly unique.

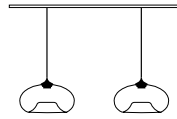


MULTIPLE JUNCTION BOXES

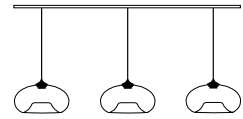
The Aurora pendant makes for a perfect living room adornment when installed through individual junction boxes. Hang an Aurora or two above end tables and create a relaxing space as your day winds down.

THE LINEAR COLLECTION

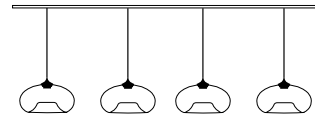
LINEAR 2
8" X 32"



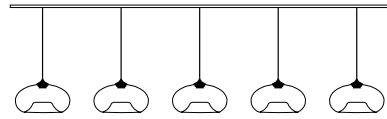
LINEAR 3
8" X 48"



LINEAR 4
8" X 64"

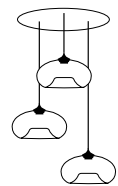


LINEAR 5
8" X 80"

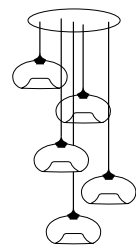


THE CIRCULAR COLLECTION

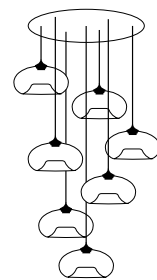
CIRCULAR 3
18" DIAMETER



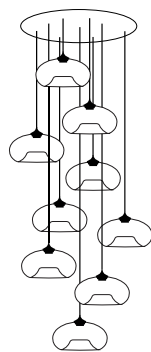
CIRCULAR 5
18" DIAMETER



CIRCULAR 7
23.5" DIAMETER



CIRCULAR 9
23.5" DIAMETER

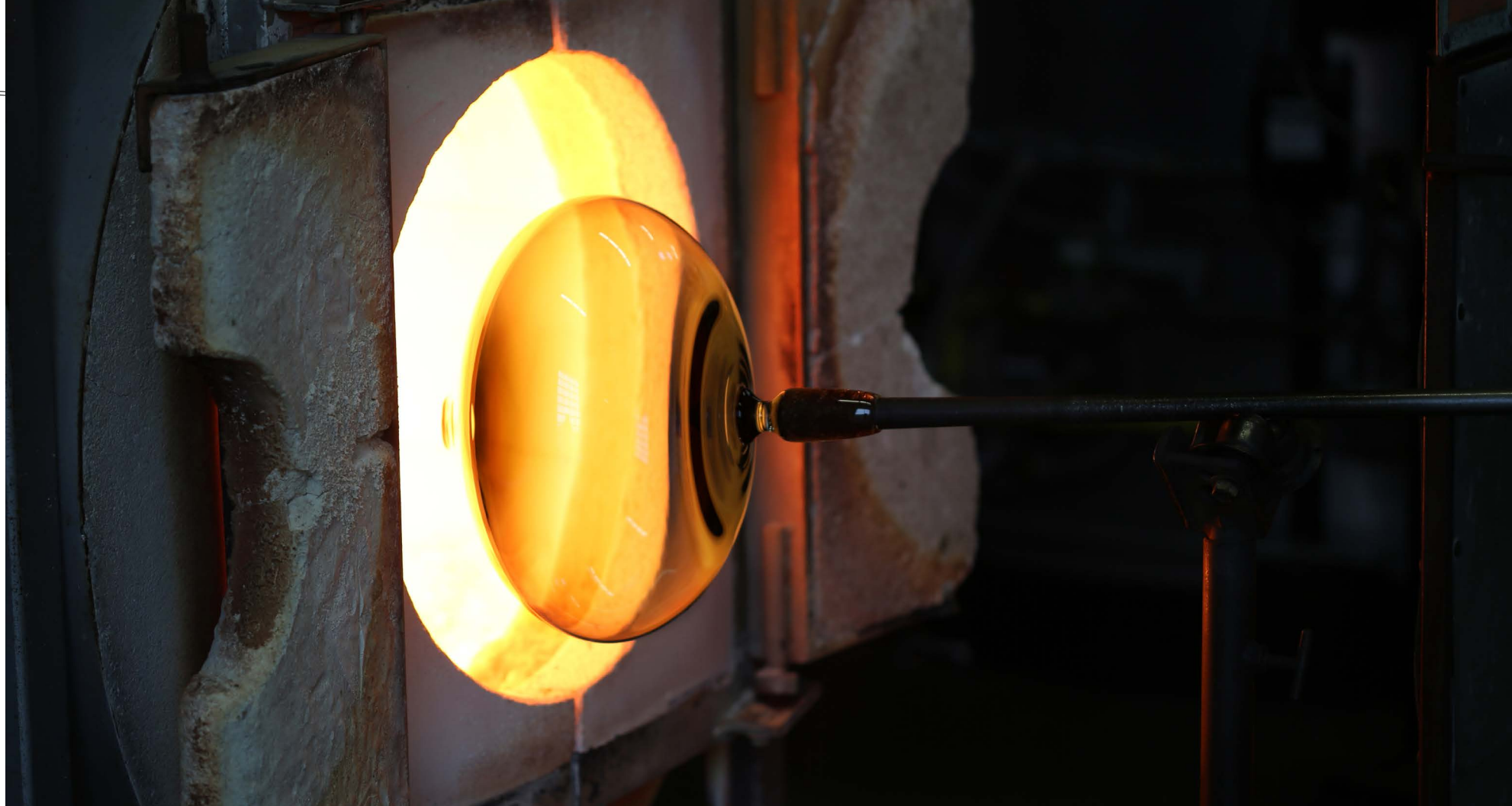




handmade with ❤️ in new york

Located along the Hudson River, Niche calls the city of Beacon home.

It's also where our products are handmade to order by our team of talented artisans. When you purchase from Niche you can be certain that it's made in New York with love.





M A D E
not
M A N U F A C T U R E D