

DRAWSTRING BACKPACK

SPEC SHEET



PRODUCT CODE	BBKC31-ST	BBGC31-WD	BBKC14-ST	BBGC14-WD
BAG DIMENSION (h x w X d)	45 x 35cm 17.7 x 13.8in	45 x 35 x 12cm 17.7 x 13.8 x 4.7in	45 x 35cm 17.7 x 13.8	45 x 35 x 12cm 17.7 x 13.8 x 4.7in
FABRIC & GSM/OZ	Organic Cotton Canvas 310/9.1		Organic Cotton Sheeting 145/4.3	
FABRIC COLOR	● Natural ● Gray ● Black ● Navy		● Natural ● Charcoal ● Black	
STANDARD HANDLE	9mm Cotton Rope (Double)			
HANDLE DIMENSIONS (h x w)	51 x .8cm/20.0 x .3in		53 x .8cm/20.8 x .3in	
HANDLE COLOR	● Natural ● Black			

CUSTOMIZATION OPTIONS (GUSSET CANVAS ONLY)

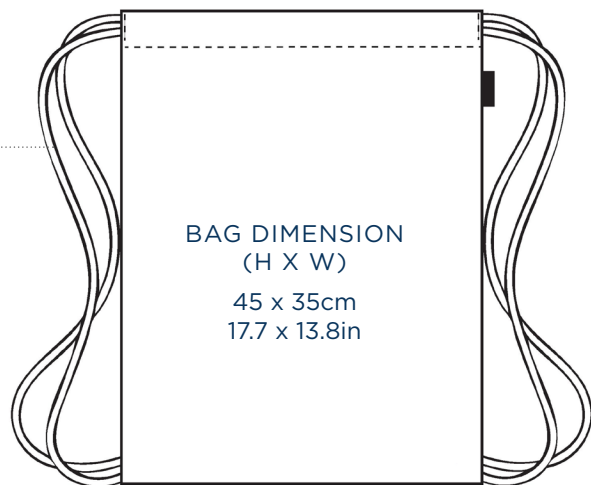
PAID OPTIONS	SIZE	COLOR
ORGANIC COTTON SHEETING LINING	45 x 35cm/17.7 x 13.8in	● Natural ● Charcoal ● Black
LINING ZIPPERED POCKET	18 x 22cm/7.1 x 8.7in	● Natural ● Charcoal ● Black
ZIPPER COLOR	● Natural ● Black	



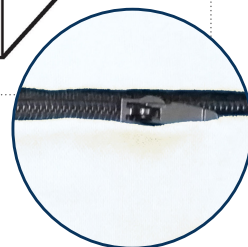
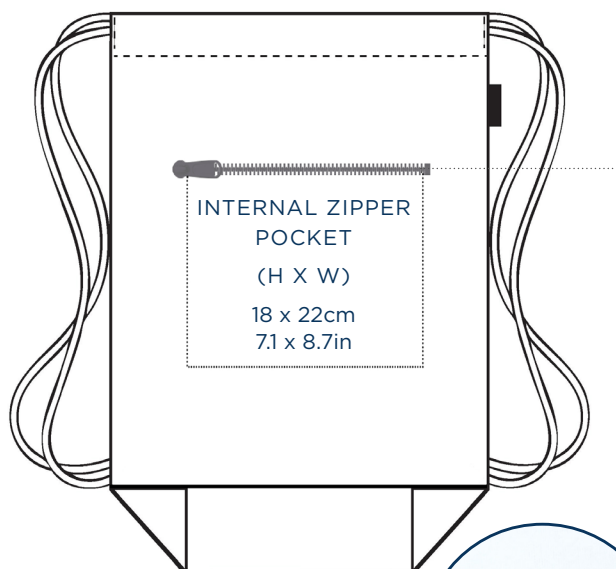
DRAWSTRING BACKPACK

SPEC SHEET

FLAT



GUSSET



PRINTING NOTES

1. The **Drawstring Backpack Bag** standard printable area is 30cm x 40cm. This can be located as desired on the bag.
2. We can print up to 45cm x 55cm at a surcharge.

**Image is 17% of actual.*

Beyond fair trade. Ethically sourced. Handcrafted for good.

We are JOYYA. We live and work together in communities known for extreme poverty and human trafficking. To us, they are just our home. Together, we battle for a new future of hope, for ourselves and all our families. Through your purchase, you are partnering with us to spark a lasting change in our neighborhoods. Thank you.

See the crazy difference your purchase helps create at joyya.com (Honestly, check it out, you've never seen anything quite like it). For more detailed information write to us: hi@joyya.com



PRODUCT PREVIEW

Version 1

DATE 16 March 2023

B22-00000
PRINT NAME **Space**

www.joyya.com

PAGE 1

OPTIONS

- DARK FABRIC +2
- LITE JUTE +1
- LARGE PRINT +1
- TRICKY PRINTING
- 8+SCREENS

PRINT COLORS

Front:

- White
- 7724C
- 179C
- 7409C

4 Screens on front



FRONT

PRODUCT NAME DRAWSTRING BACKPACK

FABRIC COLOR BLACK CANVAS

PRODUCT CODE BBK31

JOYYA

PAGE 1 of 2

This product preview has been created to show how your artwork will look on your chosen product. We have endeavoured to make this as accurate a representation of the final product as possible but colour and print size may vary slightly.

PRODUCT PREVIEW

Version 1

DATE 16 March 2023

B22-00000
PRINT NAME **Owls**

www.joyya.com

PAGE 2

FRONT ARTWORK

34.8 CM x 26.5 CM
(H:W)



JOYYA
Co-Branded
Label



NOTE: POSITION OF FINAL IMAGE ON PRODUCT MAY MOVE BY +/- 1 CM

JOYYA

PAGE 2 of 2

This product preview has been created to show how your artwork will look on your chosen product. We have endeavoured to make this as accurate a representation of the final product as possible but colour and print size may vary slightly.



ORDER FORM

FOR CUSTOMER APPROVAL

JOYYA ORDER NO.	CUSTOMER PO NO.	CURRENCY	PAYMENT TERMS	SHIPPING DATE	DELIVERY DATE	SHIPPING METHOD	FOB / CIF	PACKAGING INSTRUCTIONS	MEDIA PACKAGE
B23-US0001		USD	100% with order confirmation	02-Dec-22	ASAP	UPS Expedited 6-7 business days	B23-US0001	Standard	NONE

PRODUCT NAME	PRODUCT CODE	CUSTOMER REF. CODE / ORDER ID	TAGS (CHECK NOTES)	SIZE: H x W x D (cm)	FRONT FABRIC & COLOR	GUSSET FABRIC & COLOR	LINING COLOR & TYPE	HANDLES & SHOULDER STRAPS	FLAP FABRIC & COLOR	POCKETS & ACCESSORIES	FASTNER TYPE	PRINT NAME	PRINT COLORS PER LOCATION					EXTRAS	QUANTITY	UNIT PRICE	PRINT PRICE	TOTAL PRICE		
													FRONT	BACK	LEFT SIDE	RIGHT SIDE	OTHER							
Tote Bag	[JBTFC31-404000]			40 x 40	Natural - Organic Cotton Canvas (#10gsm)			Folded - Cotton - Natural - Organic Cotton Canvas (#10gsm)				My PRINT						50	\$ 10.80	\$ 4.80	\$ 780.00			

*All dimensions are given in cm unless specified otherwise

LABELS & SWING TAGS	INCLUDE YES / NO	STANDARD / CUSTOM	BRAND	NOTES
FABRIC LABEL	YES	STD.	JOY	
SWING TAG	YES	STD.	JOY	
ORGANIC TAG	YES	STD.	JOY	

SPECIAL INSTRUCTIONS

BILLING ADDRESS (BUYER)

COMPANY NAME: Company 123
 CONTACT NAME: John Doe
 ADDRESS: 123 Ocean Blvd
 CITY: Washington
 STATE: DC
 ZIP CODE: 111000
 COUNTRY: USA
 PHONE: (555) 555 - 5555
 EMAIL: johndoe@company123.com

DELIVERY ADDRESS (CONSIGNEE)

COMPANY NAME: Company 123
 CONTACT NAME: John Doe
 ADDRESS: 123 Ocean Blvd
 CITY: Washington
 STATE: DC
 ZIP CODE: 111000
 COUNTRY: USA
 PHONE: (555) 555 - 5555
 EMAIL: johndoe@company123.com

MEDIA PACKAGE OUTLINE	
CUTTING IMAGES	No Media
SCREEN IMAGES	No Media
PRINTING IMAGES	No Media
SEWING IMAGES	No Media
PRODUCT IMAGES	No Media
1 MIN VIDEO	No Media

TOTAL QTY:	50	SUB-TOTAL	\$ 780.00
------------	----	-----------	-----------

EXTRAS /DESIGN CHARGES
 CUSTOM TAGS & LABELS
 SPECIAL PACKAGING
 SALES TAX \$0.00
TOTAL USD \$ 780.00

** SALES TAX WILL BE ADDED TO THE FINAL INVOICE. PLEASE SUBMIT TAX-EXEMPT FORM IF APPLICABLE.

Customer Signature:	John Doe
Date:	01-Jan-23
Payment Method:	ACH

INTELLECTUAL PROPERTY STATEMENT	I/we declare that I/we own or have legally obtained the right to use all elements (both text and image) of the graphic design submitted for the customization of this product.	YES
TERMS AND CONDITIONS	Please click here to review Joyya's terms and conditions.	YES
PAYMENT: CREDIT CARD / ACH	I acknowledge that payments made via credit cards that exceed \$1,000 will have a 2% processing fee added	YES
PUBLICITY RELEASE	I/we are happy for photos of our product to be used in future publicity materials by Joyya & their associated distributors - including but not limited to catalogs, website images, social media promotion, etc.	YES
NOTICE OF OUTSOURCING PRACTICES	Periodically, to meet customers production timelines Joyya engages with internally approved outsourcing partners who all meet the same manufacturing standards. I am aware my order may not be produced entirely in house at Joyya.	YES
MEDIA POLICY	I have read the Joyya media usage policy and agree to abide by the guidelines outlined here in. I understand that failure to do so can result in being disallowed from using branding and support material. (CLICK TO VIEW)	YES
NEWSLETTER	Please keep me up to date with the latest news about Joyya via e-mail.	YES

Joyya will have your order manufactured based on the specifications outlined above.
Your order will not begin production until the form is complete and returned with your name typed in the "signature" space below.

By signing, I accept Joyya's Terms and Conditions. My signature confirms truth to the Intellectual Property statement within this document.
 I understand I am liable and financially responsible for any amendments made after submission of this form and that payment is now due as per the terms outlined.
 I authorize production to begin solely based on the specifications within this document.

APPROVED PRODUCT IMAGES