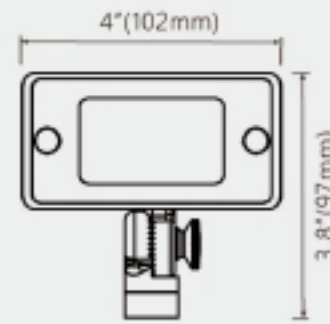




LT2303



Materials

Die-cast brass

Body

Fully cast brass

Shroud

Fully machined. Twist/lock shroud for easy relamping and adjusting.

Knuckle

Machined brass knuckle with a solid brass adjustable thumb screw. Vertical tilt 270° and horizontal rotation of 360° for easy aiming.

Lens

Clear/Frosted flat glass

Gasket

High-temperature silicone gasket for a water-tight seal.

Lamp

For use with a halogen lamp up to 50W G4 Lamp. LT Tech LED G4 lamps are available in 2W, 3W and 4W, in 2700K and 3000K.

Warranty

Limited lifetime warranty