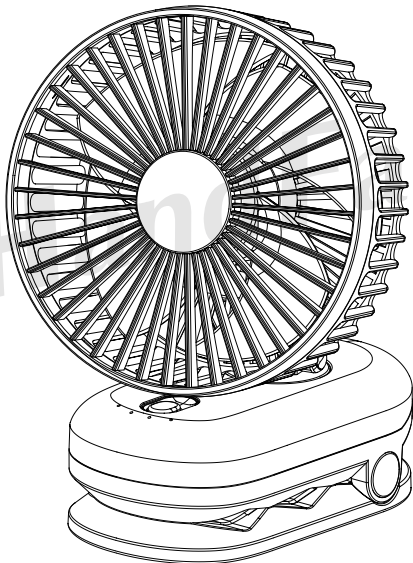




# Four-speed foldable desktop fan

Stands on desk or can hang by using a clip

Instruction manual



Question? Contact our professional customer support at [mail@handfan.com](mailto:mail@handfan.com)

## Product features

1. 5000mAh high-capacity battery, Long-lasting battery life;
2. 70°automatic rotation, 225°adjustable fan angle;
3. Foldable to reduce the occupied space, easy to carry.
4. Removable front cover for easy cleaning.
5. Type-C charging port design, fast charging.
6. Standable and clipable design, widely used.
7. 4 modes, suitable for a variety of scenes.

## Product parameters

Model	HF387
Power	4.7W
Input	5V/2A
Battery Capacity	5000mAh
Charging time	3H
Working time (single fan)	4.5-24H
Working time (fan + automatic rotation)	2-8.6H
Size	135*133*110mm
Weight	Approx. 450g

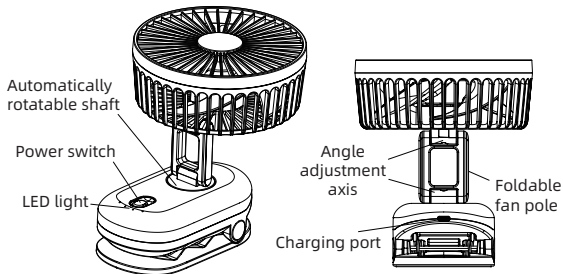
## Packing list

Fan\*1, Type-c charging cable\*1, Instruction manual\*1

## Product Key Description

1. Short press the power switch to open the wind mode.
2. A second short press on the power button to open the second gear medium wind mode.
3. The third short press of the power button to open the third gear high wind mode.
4. The fourth short press of the power button, open three strong wind mode.
5. The fifth short press the power button to turn off the fan, the fan a total of four modes.
6. Long press the power switch to turn on the fan automatic rotation (the fan needs to be in the open state).
7. A long press on the power switch again to turn off the automatic rotation of the fan.

## Product Components



## Charging operation instructions

1. Connect the Type-c charging cable included with the fan to the charging port on the back of the fan body. The charging port of the fan.
2. In order to charge the fan properly, please use a 5V/2A charger.

## Indicator status description

	● The light is on for a long time / ◎ Flashing light	/ ○ Light off state
Power is charging	◎ ○ ○ ○ ○	0% - 25%
	● ◎ ○ ○ ○	25% - 50%
	● ● ◎ ○ ○	50% - 75%
	● ● ● ◎ ○	75% - 99%
	● ● ● ● ●	100%
Power is in use	● ● ● ● ●	75% - 100%
	● ● ● ○ ○	50% - 75%
	● ● ○ ○ ○	25% - 50%
	● ○ ○ ○ ○	3% - 25%
	◎ ○ ○ ○ ○	0% - 3%
Power indicator	White	

## Cautions

1. This product uses lithium-ion batteries, no memory function, overcharge or overdischarge will affect the product use. Please charge the battery in time and disconnect the power after full charge.
2. Do not touch the rotating fan blades with your fingers as the blades rotate at high speed during operation, and children under 10 years of age should use the fan under adult supervision.
3. Please do not squeeze, disassemble the battery or place the battery in a high temperature environment (60°C and above) for a long time, otherwise, there may be a risk of liquid leakage or explosion.
4. If you store it for a long time, please keep 80% of the power and store it in a dry and ventilated place.
5. Please use the fan properly, any squeeze, drop, impact may cause damage to the fan. Affect the effect of use.

## Warranty Information

In order to provide you with better service and shopping experience, consumers through legal channels to buy products, since the date of purchase, if there are non-human causes of failure, we will provide a one-year warranty (warranty does not include man-made damage, disassembly and combustion, water, fall damage, etc.)

Manufacturer: Shenzhen Tongchuangchuang Precision Electronics Co.

Tel: 0755-2346 2931

Production Address: Shenzhen City, Baoan District, Xixiang Street, Gushu Community, No. 21 Xijing Road Tangxi second industrial zone A building D 301/401/501/701/whole floor