

# Operation Manual

---

## MacroAir Local Override Remote





# Table of Contents

<b>Introduction</b>	Caution & Safety .....2 Remote Enclosure, Control Panel Enclosure.....3
<b>Wiring the Fan</b>	Remote Panel Overview, Schneider Control Panels Overview.....4 Yaskawa Control Panels Overview .....6 Control Panels Overview.....7
<b>Wiring Diagrams</b>	Remote Panel Schematic .....8 Schneider Control Panel Schematics: Single Phase (Low Voltage) .....9 Three Phase (Low Voltage) ..... 10 Three Phase (High Voltage) ..... 11 Yaskawa Control Panel Schematics: Single Phase (Low Voltage) ..... 12 Three Phase (Low Voltage) ..... 13 Three Phase (High Voltage) ..... 14
<b>Operation</b>	Basic Operation..... 15
<b>Appendices</b>	Warranty ..... 16 Technical Support ..... 17

# Introduction

## Caution and Safety

---

**⚠ ATTENTION: Safety.** READ THE ENTIRE MANUAL BEFORE OPERATING THE FAN. Ensure that all safety practices and instructions are followed during the installation, operation, and servicing of the fan. Failure to apply these safety practices could result in death or serious injury. If you do not understand the instructions, please call our Technical Department for guidance.

**⚠ ATTENTION: Qualified Technicians.** All fan controls and incoming power should only be installed by qualified technicians familiar with the requirements of the National Electrical Code (NEC) and local codes. Refer to appropriate portions of this manual for other important requirements. Failure to follow these guidelines will void the manufacturer's warranty.

**⚠ ATTENTION: Damp and Corrosive Environments.** MacroAir provides a stainless-steel fan alternative especially for excessively damp, caustic, or corrosive environments. It is recommended that the environmental conditions acting on a fan installation be reviewed to insure the proper choice of a fan purchase and special warranty considerations.

**⚠ ATTENTION: Code Compliance.** Installation is to be in accordance with the NEC, ANDSI/NFPA 70-1999 and local codes.

### Hazard of Electrical Shock, Explosion or Arc Flash:

---

**⚠ ATTENTION: Read.** Read and understand this manual before installing or operating a fan unit. Installation, adjustment, repair, and maintenance must be performed by qualified personnel.

**⚠ ATTENTION: Code Compliance.** The user is responsible for compliance with all international and National Electrical Code requirements with respect to grounding of all equipment.

**⚠ WARNING: Do Not Touch.** Many of the parts of this unit operate at line voltage. DO NOT TOUCH.

**⚠ WARNING: Covers.** Install all covers before applying power or starting and stopping the unit.

### Installation and Service

---

**⚠ WARNING: Damage.** Do not operate or install any fans or fan accessories that appear to be damaged.

**⚠ WARNING: Death and Injury.** Failure to follow this instruction can result in death, serious injury, or equipment damage.

**⚠ WARNING: Disconnect Power.** If the fan does not operate properly using the procedures in this manual. BE CERTAIN TO REMOVE ALL POWER TO THE UNIT and contact our technical department for further assistance.

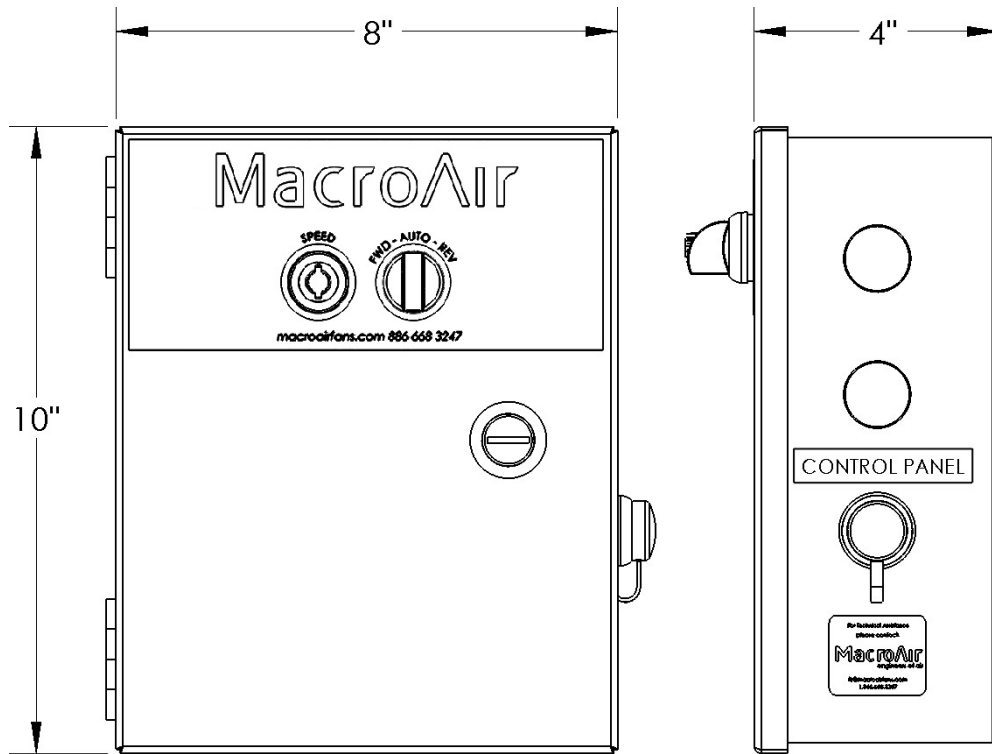
**⚠ CAUTION: Moving Parts.** Keep all body parts clear of moving parts at all times.

**⚠ ATTENTION: Qualified Technicians.** All electrical troubleshooting and repair must be done by a qualified technician and meet all applicable codes.

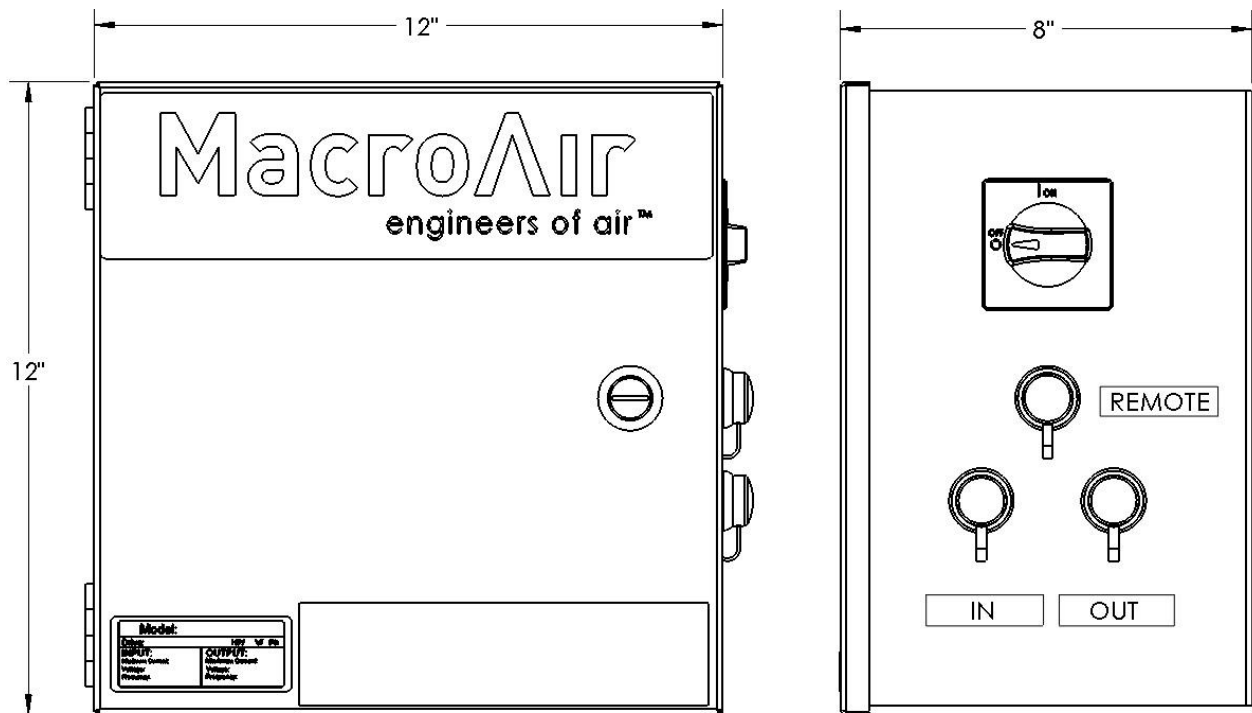
**REFER TO FAN INSTALLATION MANUAL(S) FOR FURTHER MAINTENANCE INFORMATION.**

# Introduction

## Remote Enclosure



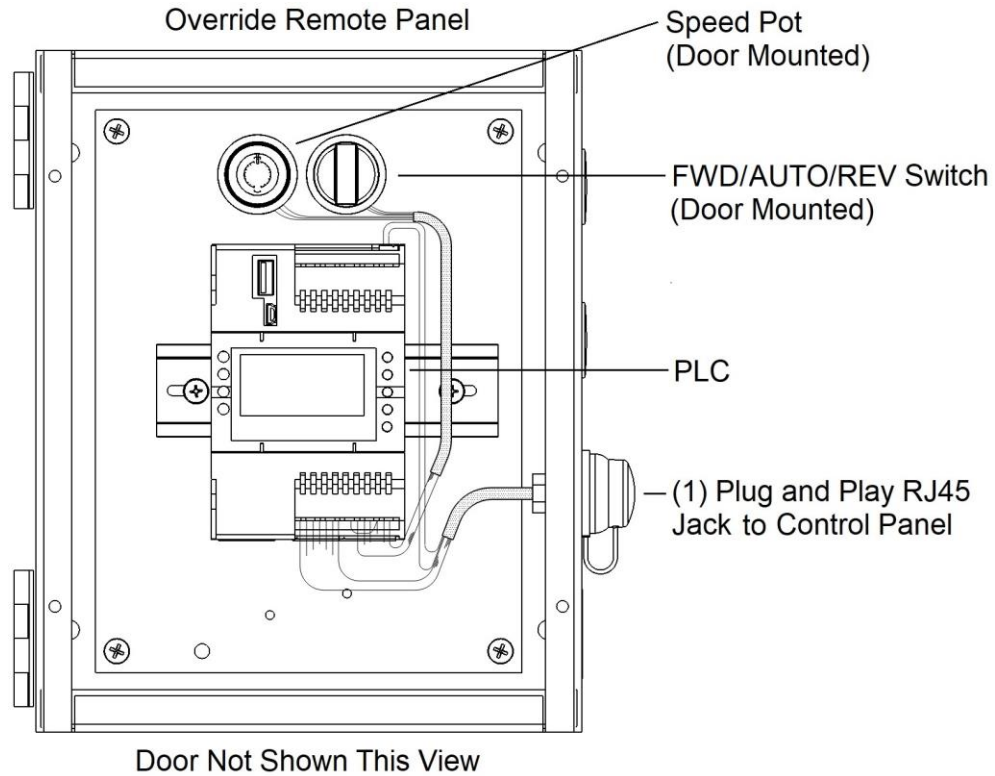
## Control Panel Enclosure



Images are not to scale

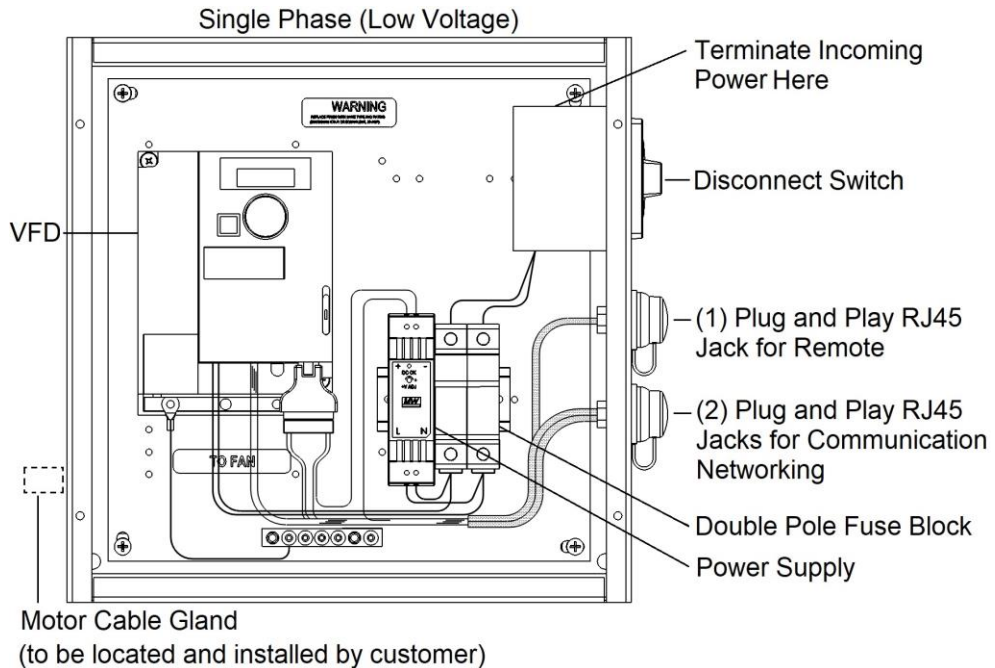
# Wiring the Fan

## Remote Panel Overview



## Schneider Control Panels Overview

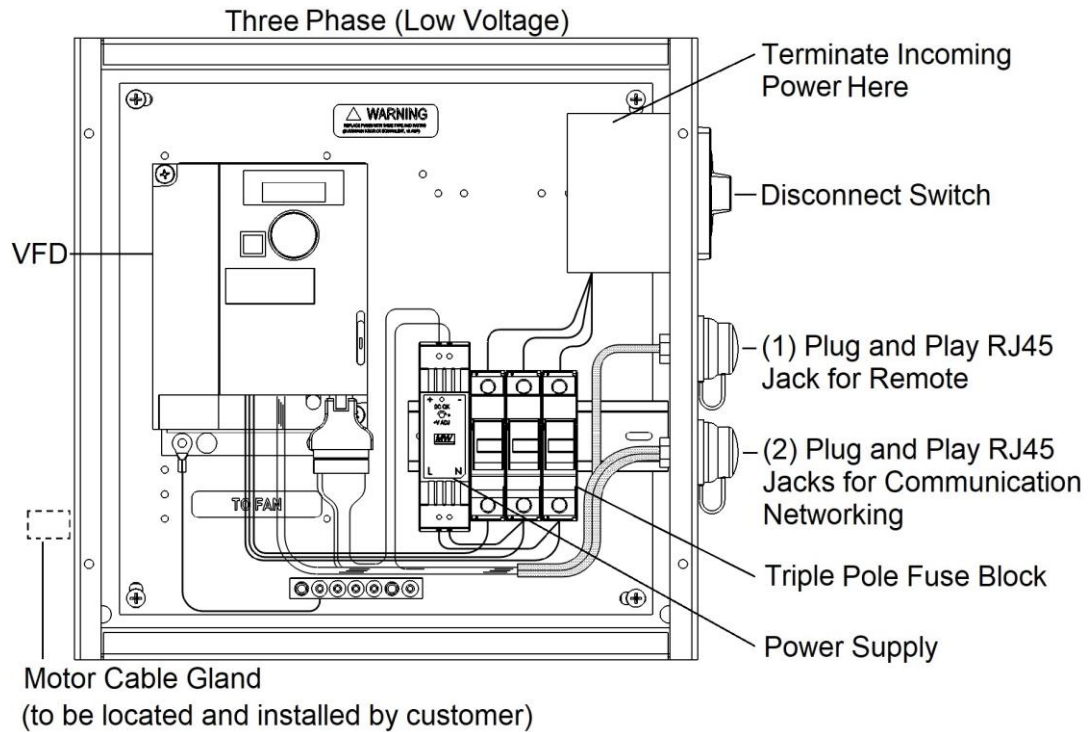
### 1 Phase (Low Voltage)



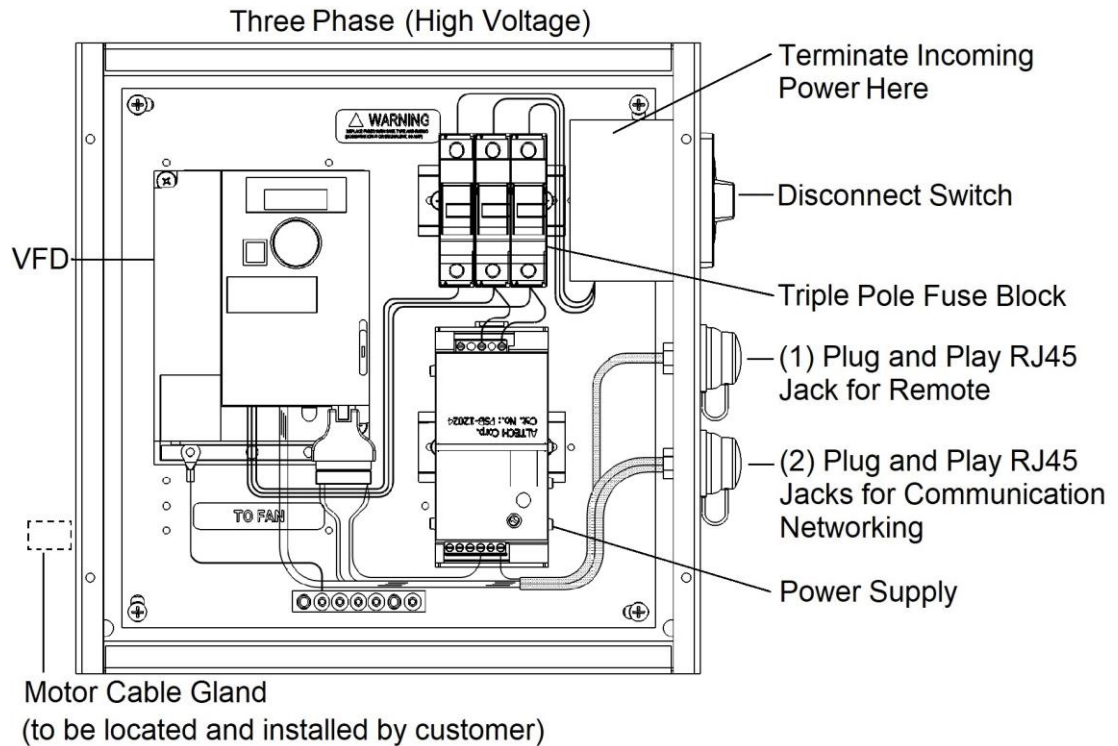
# Wiring the Fan

## Schneider Control Panels Overview, cont.

### 3 Phase (Low Voltage)



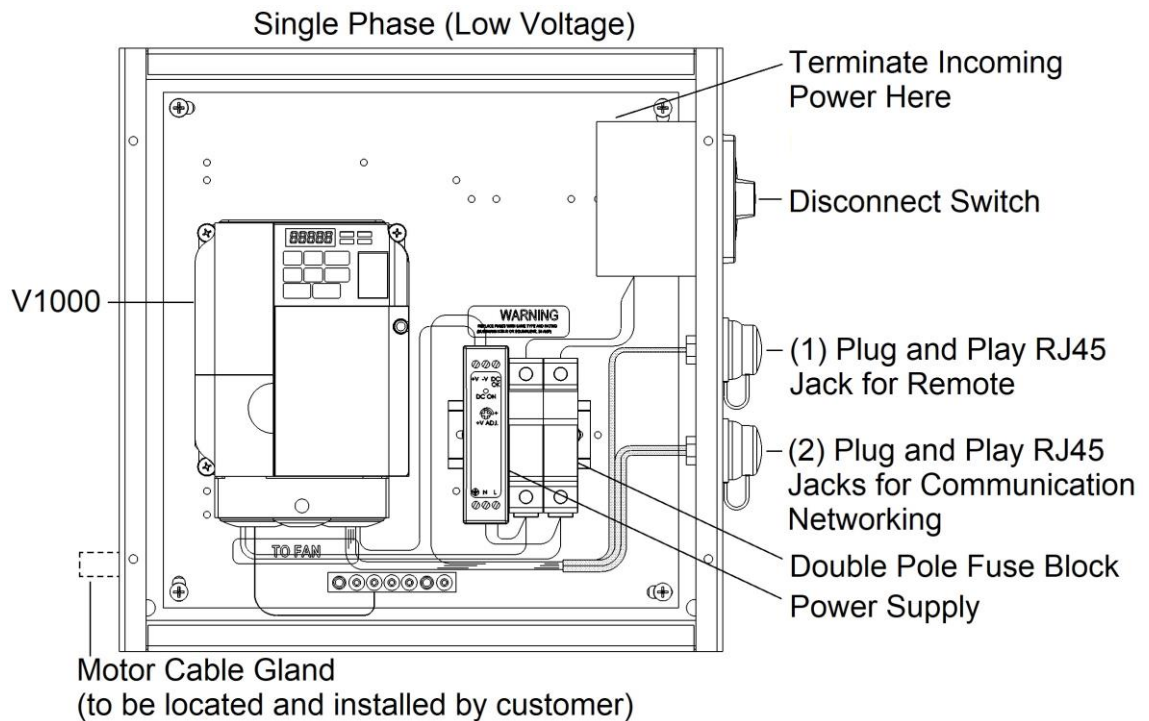
### 3 Phase (High Voltage)



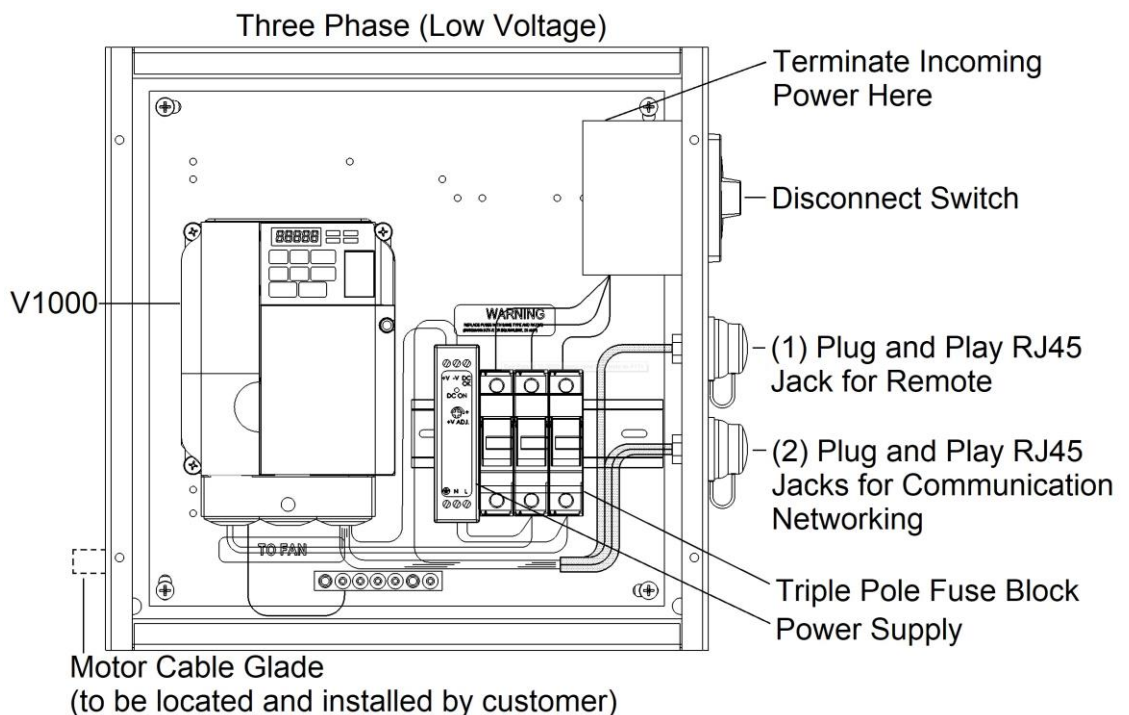
# Wiring the Fan

## Yaskawa Control Panels Overview

### 1 Phase (Low Voltage)



### 3 Phase (Low Voltage)

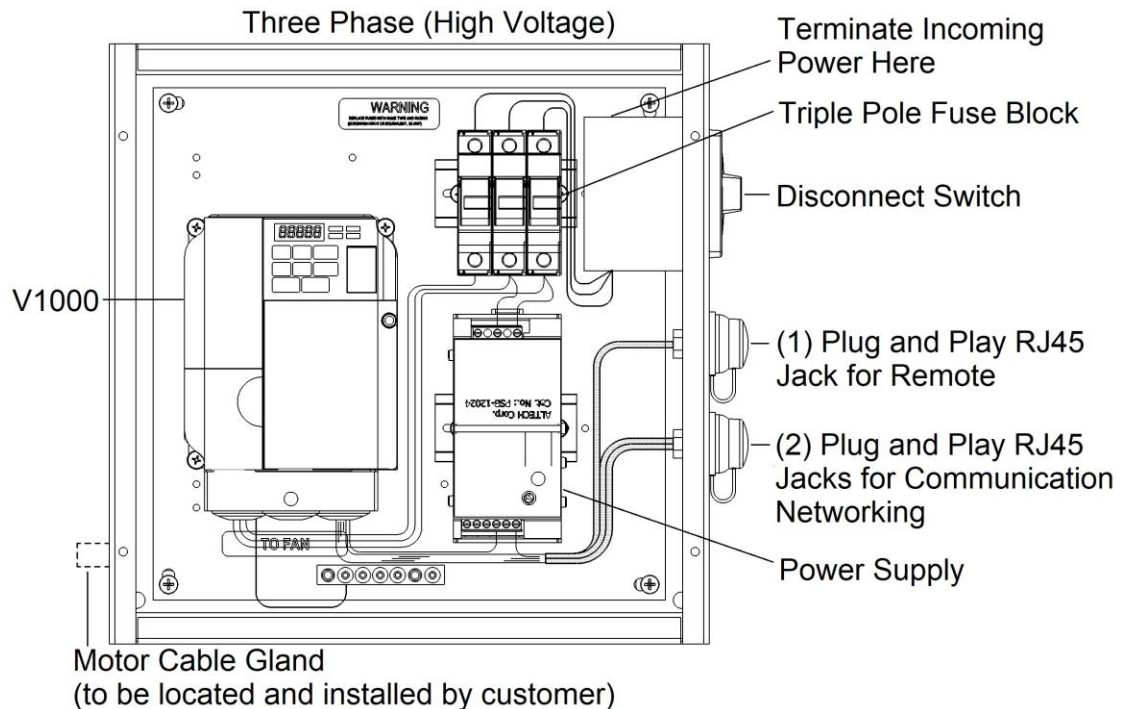




# Wiring the Fan

## Yaskawa Control Panels Overview, cont.

### 3 Phase (High Voltage)



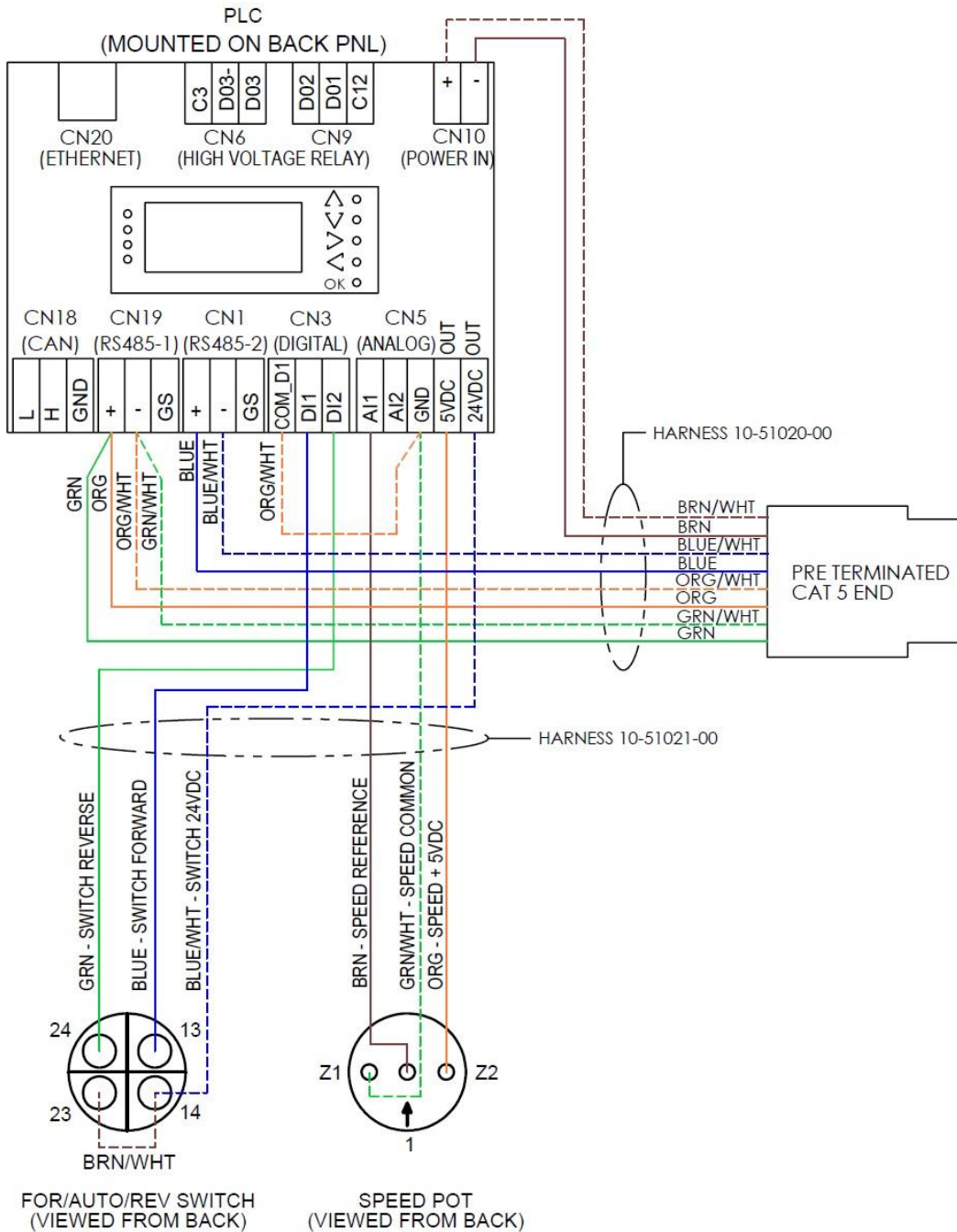
## Control Panels Overview

1. Control Panels come pre-wired, as illustrated on pages 4-7.
2. Make sure the control wiring is CAT5e shielded, stranded or greater.
3. If removed from the enclosure, the disconnect switch must be in the OFF position when removed, and in the OFF position when reinstalled to prevent misalignment of switch.
4. The Motor Cable Gland and the Cable Gland for Analog Control do not come pre-installed. Use a unibit to drill installation holes.
5. **Shielded motor cable is provided and must be used with no additional cable to maintain factory warranty.**
6. Mounting hardware for mounting enclosure to an I-beam, Glulam or wall is not supplied by MacroAir. Physical enclosure of Control Panel is 12"x12"x8".
7. Connect CAT5e to RJ45 labeled "Remote" for single touchpad controller.

These control panel overviews supersede and replace that found in your fan Operation Manual.

# Wiring Diagrams

## Remote Panel Schematic

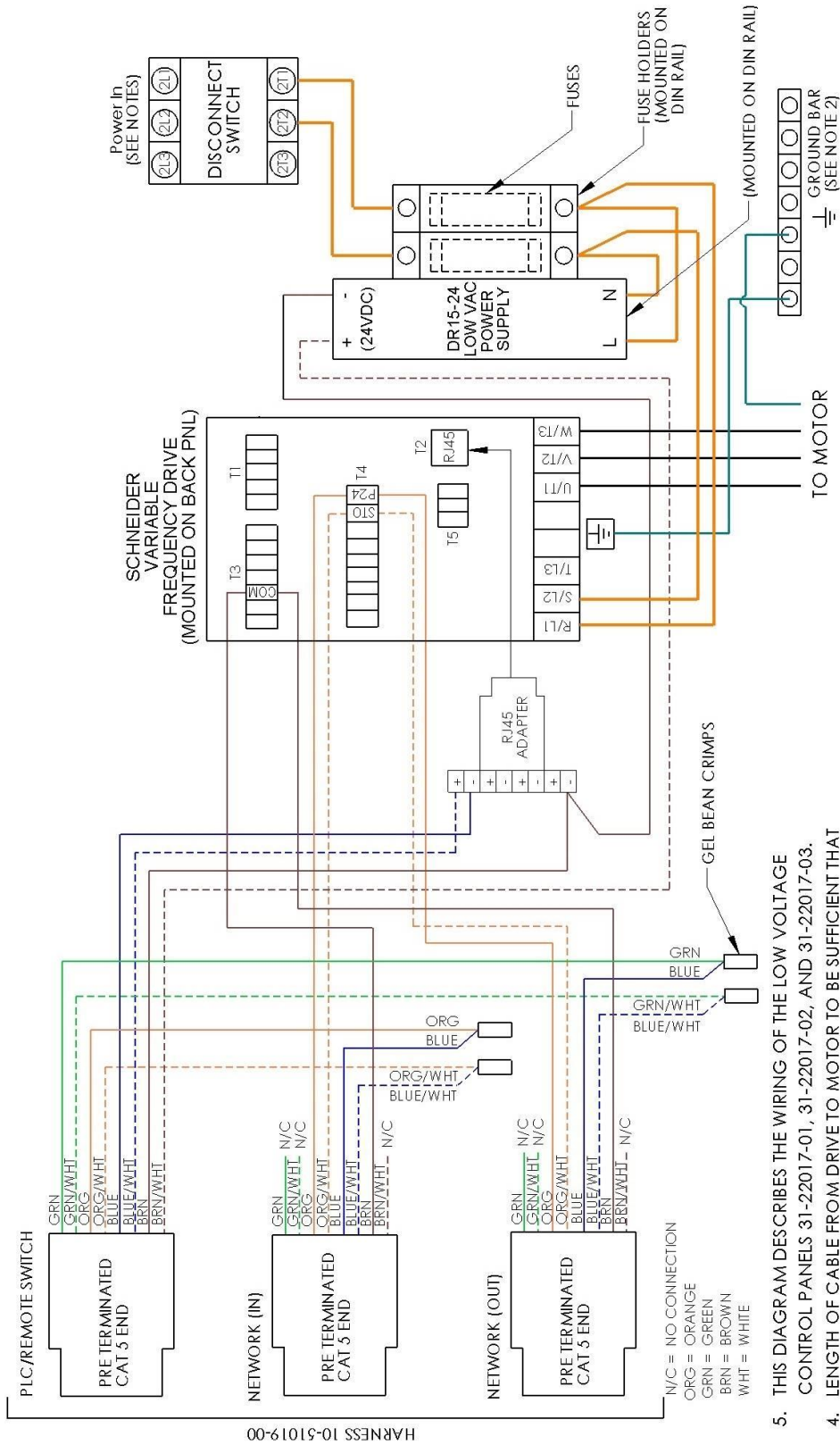


4. THIS DIAGRAM DESCRIBES THE WIRING OF PLC/REMOTE SWITCH PANEL 30-90315-00.
  3. LENGTH OF CABLE FROM LOCAL OVERRIDE PANEL TO CONTROL PANEL TO BE 100 FEET OR LESS.
  2. COLOR CODE IS FOR MANUFACTURER-SUPPLIED CABLING. DO NOT USE NON-FACTORY-SUPPLIED CABLING.
  1. FAN SHOULD ONLY BE INSTALLED BY QUALIFIED PERSONEL IN ACCORDANCE WITH THE NEC.
- NOTES: UNLESS OTHERWISE SPECIFIED

# Wiring Diagrams

## Schneider Control Panel Schematics

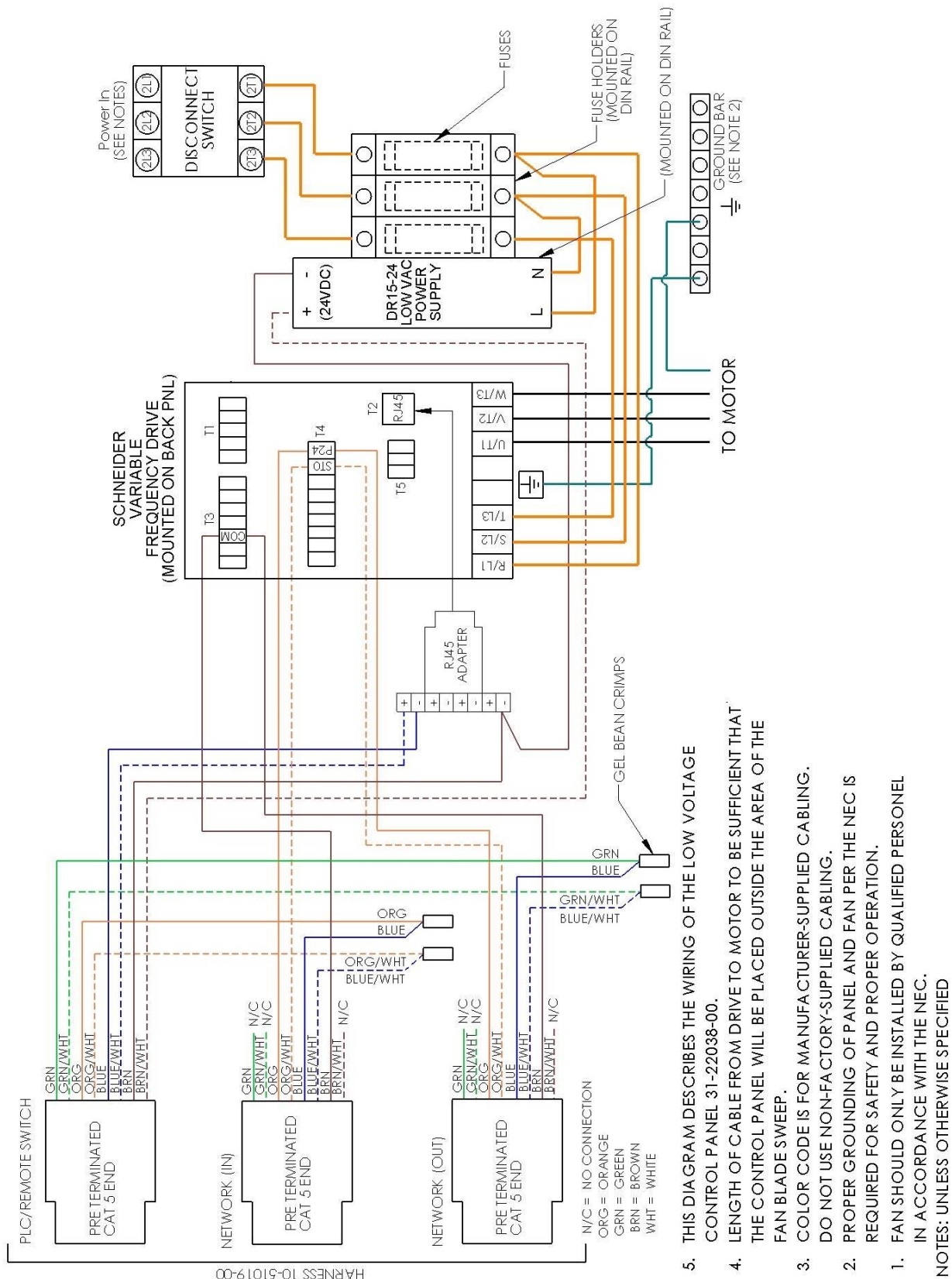
**Single Phase (Low Voltage):** This control panel schematic supersedes and replaces that found in your fan Operation Manual.



# Wiring Diagrams

## Schneider Control Panel Schematics, cont.

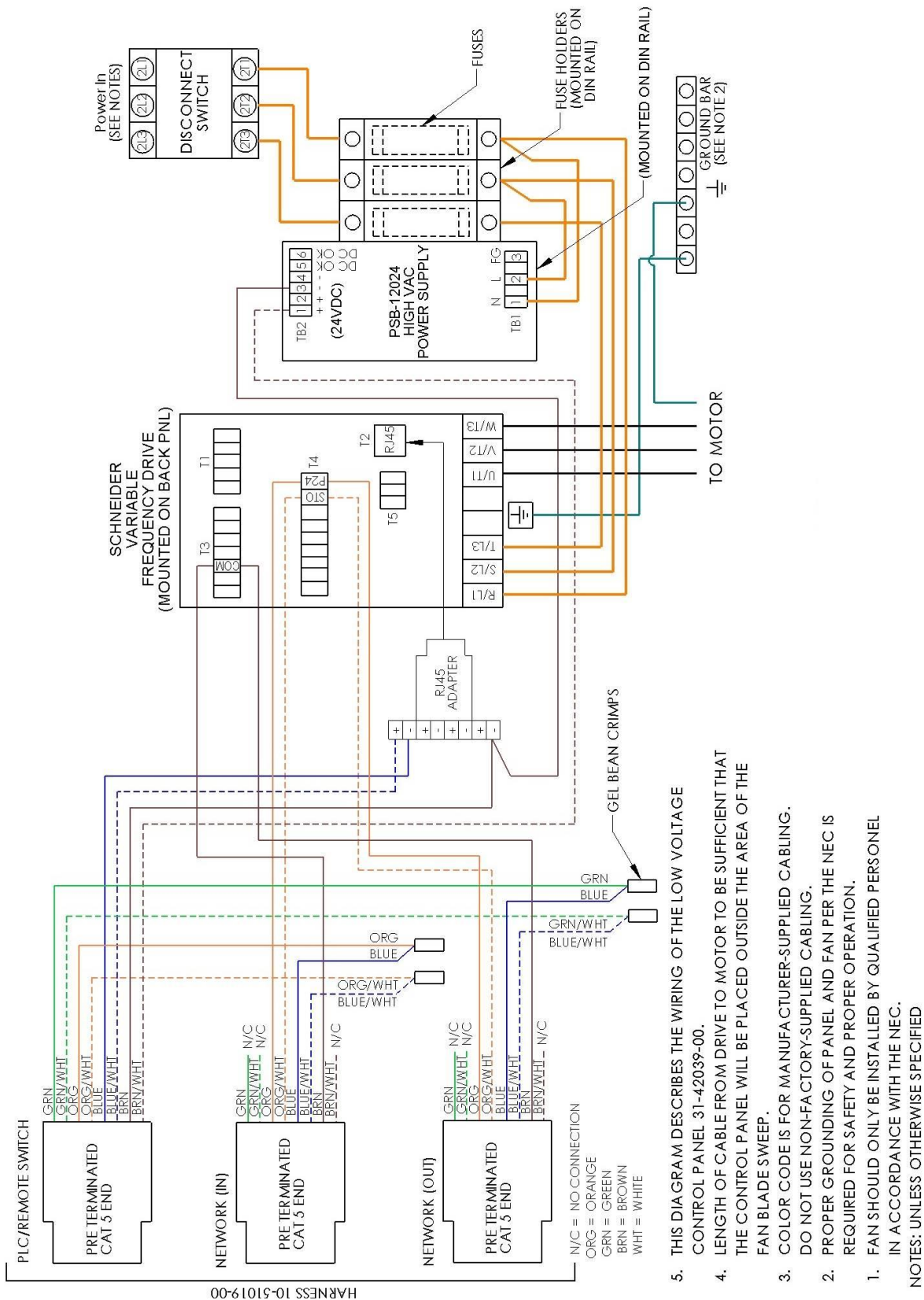
**Three Phase (Low Voltage):** This control panel schematic supersedes and replaces that found in your fan Operation Manual.



# Wiring Diagrams

## Schneider Control Panel Schematics, cont.

**Three Phase (High Voltage):** This control panel schematic supersedes and replaces that found in your fan Operation Manual.



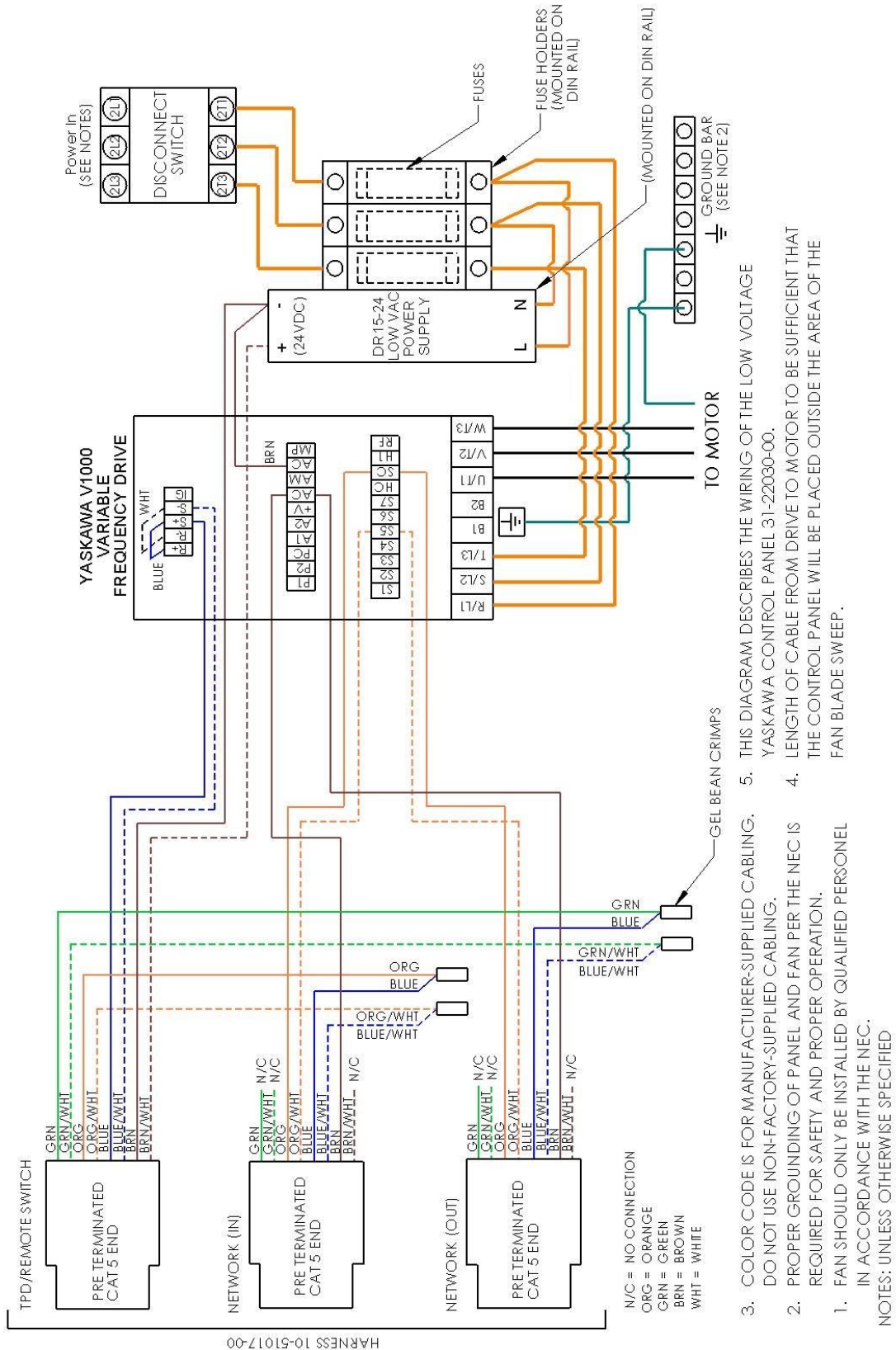
HARNES 10-51019-00



# Wiring Diagrams

## Yaskawa Control Panel Schematics, cont.

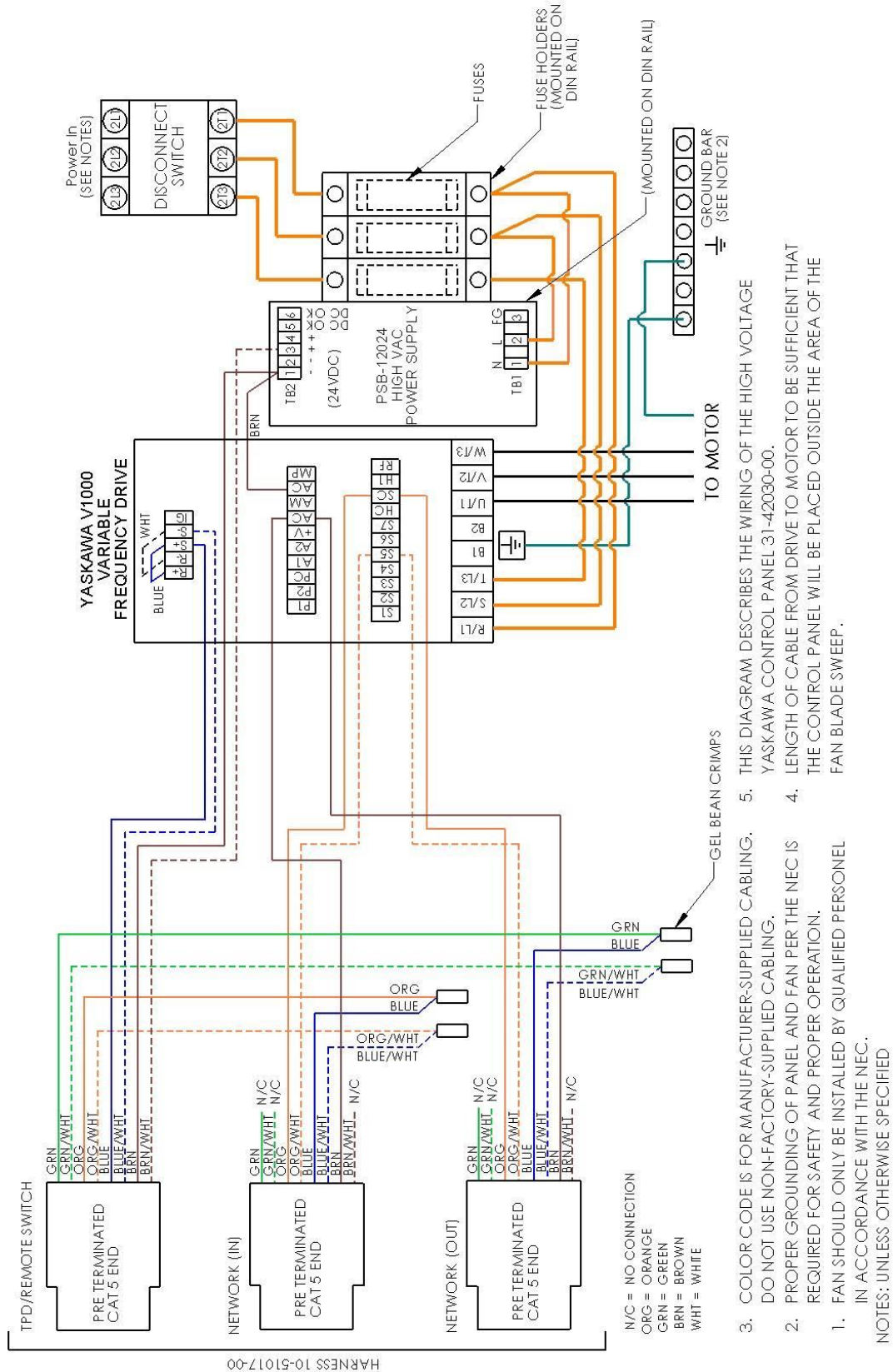
**Three Phase (Low Voltage):** This control panel schematic supersedes and replaces that found in your fan Operation Manual.



# Wiring Diagrams

## Yaskawa Control Panel Schematics, cont.

**Three Phase (High Voltage):** This control panel schematic supersedes and replaces that found in your fan Operation Manual.





# Operation

## Basic Operation

---



**OFF:** To turn off the fan set to FWD (forward) or REV (reverse) with a speed of 0. This will turn the fan off and prevent the BMS from running the fan.

**AUTO:** When the fan is toggled back to “AUTO” it will resume its last command from the BMS and will start and stop automatically.

**AIRLYNK:** Refer to the AirLynk manual for information regarding the AirLynk.

**FAN:** Refer to the fan manual for information regarding the fan.

**REMOTE FAIL:** If the Local Override Remote fails to operate the fan, check the wiring, and/or check the VFD/V1000 for faults.

# Appendices

## Warranty

MacroAir warrants the Products listed in the table below will be free from defects in materials and workmanship under normal use and maintenance for the applicable Warranty Period. Other than the Warranty set forth in this document, no other written or oral warranties apply, and no employee, agent, dealer, or other person is authorized to give any other warranties on behalf of MacroAir.

### START DATE OF WARRANTY COVERAGE

Warranty Period begins fifteen (15) days following shipment of the Product, or on the date the Product is installed (not to exceed sixty (60) days Customer receives the Product), whichever date is later. Customer should retain necessary documentation to verify the date of receipt and installation of the Product. Customer will be required to produce this documentation in order to obtain Warranty services from MacroAir. The Warranty specified herein applies only to Products purchased on or after April 15, 2021.

### PRODUCTS AND SYSTEMS COVERED BY THIS WARRANTY AND APPLICABLE WARRANTY PERIODS:

Fan Type	Mechanical: Blades, Hub & Frame	Standard Electrical <sup>1</sup> : Motor, Electrical Controls, Remote	Labor
AVDX	15 Years	10 Years	1 Year
AirVolution	15 Years	7 Years	1 Year
AirLegacy	15 Years	5 Years	1 Year
AVD3	10 Years	7 Years	1 Year
AVD 370	10 Years	5 Years	1 Year

### WARRANTY COVERAGE:

Subject to the exclusions herein, the MacroAir Warranty covers any defects in workmanship or materials of the covered Products under normal operation and prescribed maintenance when those defects adversely affect the ability of the Product to operate properly.<sup>2</sup> The Warranty only covers Products which have been installed in compliance with MacroAir's written installation instructions by a state-qualified or licensed electrical contractor and operated and maintained by the Customer in conformity with MacroAir's written instructions, and when the Product is purchased directly from MacroAir or a MacroAir Authorized Dealer.

This Warranty is subject to all provisions, conditions, limitations, and exclusions explained in this Warranty document.

\*Scan QR code or visit [macroairfans.com/warranty](http://macroairfans.com/warranty) for full warranty information.



<sup>1</sup> "Standard Electrical" means any common electrical component that is utilized across more than one fan line will assume the higher warranty period.

<sup>2</sup> "Operate properly" applies only to mechanical, electrical, and structural systems of the Product

# Appendices

## Technical Support

---

Thank you for purchasing the Local Override for MacroAir Fans.  
Please call MacroAir Fans for Technical Support of the Local Override product.

Support Contact Information:

MacroAir Fans  
794 S. Allen Street  
San Bernardino, CA. 92408

MacroAir Fans Service:  
866-668-3247 option 2  
Website: [www.macroairfans.com/support](http://www.macroairfans.com/support)

For Installation assistance, application questions, technical support, and any other inquiries, please contact our Technical Support team at (866) 668-3247.



794 South Allen Street  
San Bernardino, CA 92408  
(866) 668-3247  
[Macroairfans.com](http://Macroairfans.com)