

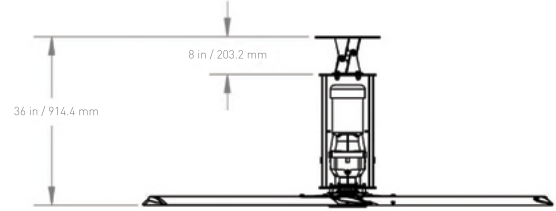
# AirLegacy

The ultimate utility fan, the MacroAir AirLegacy industrial fan uses tried and true technology which is proven to last over time. The AirLegacy uses a reliable gearbox-driven power unit to provide huge airflow at a great value. With basic features and accessories, the AirLegacy industrial fan will meet any budget while performing better than any fan in its class.



## STANDARD FEATURES

- Integrated Gearmotor
- Clearcoat anodized airfoil blades
- Forward, reverse, variable speed
- Variable frequency drive- basic fire alarm integration
- Analog remote for one-to-one fan control
- Safety Components: safety cable, Universal Mount with guy wires, blade retainer links



## STEP 1: DIAMETERS

Item #	Diameter	Qty
MZ08-0100-MA	8 ft Power Unit, 1.0 HP	
MZ10-0100-MA	10 ft Power Unit, 1.0 HP	
MZ12-0100-MA	12 ft Power Unit, 1.0 HP	
MZ14-0100-MA	14 ft Power Unit, 1.0 HP	
MZ16-0100-MA	16 ft Power Unit, 1.0 HP	
MZ18-0100-MA	18 ft Power Unit, 1.0 HP	
MZ20-0150-MA	20 ft Power Unit, 1.5 HP	
MZ24-0200-MA	24 ft Power Unit, 2.0 HP	

## STEP 2: VOLTAGE

Item #	Voltage Options	Qty
1xx1-MA*	100-120V Single Phase, 50/60 Hz	
2xx1-MA	208-240V Single Phase, 50/60 Hz	
2xx3-MA	208-240V Three Phase, 50/60 Hz	
4xx3-MA	480V Three Phase, 50/60 Hz	
6xx3-MA	600V Three Phase, 50/60 Hz	

xx=horsepower

## STEP 3: MOUNTING

Item #	Mount Options	Qty
60-90006-00	AirLegacy Universal Mount: I-beam Hardware Kit (Standard)	
60-40041-00	Glulam Hardware Kit (for Universal Mount)	

## STEP 4: CONTROLS

Item #	Description	Qty
30-90301-00	Analog Remote Assembly (Standard)	

\*Only available for 8ft-18ft

## OPTIONAL: EXTENSIONS

Item #	Length (ft/in)	Length (m)	Qty
51-80100-02	1 ft	0.30 m	
51-80200-02	2 ft	0.61 m	
51-80300-02	3 ft	0.91 m	
51-80400-02	4 ft	1.22 m	
51-80500-02	5 ft	1.52 m	
51-80600-02	6 ft	1.82 m	
51-80700-02	7 ft	2.13 m	
51-80800-02	8 ft	2.44 m	
51-80900-02	9 ft	2.74 m	
(51-8ftin-02)	Customization fee		

**AirLegacy EXTENSIONS** are an additional drop tube attached to the top of the frame. Without an **Extension**, the total drop for an **AirLegacy** fan is 3 ft (fan, frame, and mount)

**AirLegacy** fans can only be connected with a single-piece of custom length extension.

**ft** = length in **feet** (i.e. 04 for 4 feet, 10 for 10 feet)

**in** = length in **inches** (i.e. 05 for 5 inches, 10 for 10 inches)

To order Extension greater than 10 ft, please call MacroAir.

Do you have a custom color in mind? Custom powder coating is available for all our blades, mounts and drop lengths.

## OPTIONAL: POWDER COATING

Item #	Diameter	Estimated Lead Time	Qty
60-10008-02	8 ft / 2.44 m	15 business days	
60-10010-02	10 ft / 3.05 m	15 business days	
60-10012-02	12 ft / 3.66 m	15 business days	
60-10014-02	14 ft / 4.27 m	15 business days	
60-10016-02	16 ft / 4.88 m	15 business days	
60-10018-02	18 ft / 5.49 m	15 business days	
60-10020-02	20 ft / 6.07 m	15 business days	
60-10024-02	24 ft / 7.32 m	15 business days	

### Special Finishes

Mounting Hardware & Frame	All Diameters	15 business days	
Extension (where applicable)	All Diameters	15 business days	

For powder coating colors, please refer to Appendix A.

## ADDITIONAL OPTIONS

Item #	Description	Qty
-EX	Explosion Proof Motor -1.0 HP* (Separate Motor and Gearbox)	

\*Only Available for 8ft-18ft

## BASIC SPECIFICATIONS

AIRFOIL DIAMETER	8ft	10ft	12ft	14ft	16ft	18ft	20ft	24ft
Airfoil Style	7.375" Extruded Anodized Aluminum Airfoil							
Number of Airfoils	6							
<b>PERFORMANCE</b>								
Max Speed	202 RPM	162 RPM	129 RPM	103 RPM	84 RPM	70 RPM	70 RPM	62 RPM
Recommended Spacing*	50 ft [15.2 m]	60 ft [18.3 m]	65 ft [19.8 m]	70 ft [21.3 m]	85 ft [25.9 m]	90 ft [27.4 m]	100 ft [30.5 m]	110 ft [33.5 m]
Max Affected Area	3,600 ft <sup>2</sup> [336 m <sup>2</sup> ]	6,000 ft <sup>2</sup> [557 m <sup>2</sup> ]	8,000 ft <sup>2</sup> [743 m <sup>2</sup> ]	10,000 ft <sup>2</sup> [929 m <sup>2</sup> ]	12,000 ft <sup>2</sup> [1,115 m <sup>2</sup> ]	14,000 ft <sup>2</sup> [1,301 m <sup>2</sup> ]	18,000 ft <sup>2</sup> [1,673 m <sup>2</sup> ]	20,000 ft <sup>2</sup> [1,858 m <sup>2</sup> ]
Sound Level dBA at Max Speed**	58	58	58	58	58	58	61	61
<b>HANGING REQUIREMENTS</b>								
Hanging Weight	171 lbs [77.56 kg]	178 lbs [80.74 kg]	189 lbs [85.73 kg]	195 lbs [88.45 kg]	202 lbs [91.63 kg]	208 lbs [94.35 kg]	217 lbs [98.43 kg]	270 lbs [122.5 kg]
Max Torque	18 ft-lb [24 Nm]	24 ft-lb [33 Nm]	31 ft-lb [42 Nm]	43 ft-lb [58 Nm]	40 ft-lb [54 Nm]	58 ft-lb [79 Nm]	88 ft-lb [119 Nm]	126 ft-lb [171 Nm]
Max Thrust in Reverse	4 lbs [1.8 kg]	6 lbs [2.7 kg]	9 lbs [4.1 kg]	14 lbs [6.4 kg]	15 lbs [6.8 kg]	21 lbs [9.5 kg]	31 lbs [14.1 kg]	44 lbs [20 kg]
<b>MOTOR AND DRIVE TRAIN</b>								
Motor Type	AC induction Motor with a sealed 2-stage helical gear box							
Equivalent Horsepower Rating	1.0 HP (8-18ft) / 1.5 HP (20ft) / 2.0 HP (24ft)							
Operating Temp Range	16°F [-10C°] - 104 F° [40C°]							
<b>MAX AMP DRAW</b>								
100-120V Single Phase	16.6A	16.6A	16.6A	16.6A	16.6A	16.6A	N/A	N/A
208-240V Single Phase	20.2A	20.2A	20.2A	20.2A	20.2A	20.2A	20.2A	20.2A
208-240V Three Phase	10.8A	10.8A	10.8A	10.8A	10.8A	10.8A	10.8A	10.8A
480V Three Phase	4.3A	4.3A	4.3A	4.3A	4.3A	4.3A	4.3A	4.3A
600V Three Phase	2A	2A	2A	2A	2A	2A	N/A	N/A
<b>POWER AND CONTROLS</b>								
Power Source	Single Phase 100-120 VAC 50/60 Hz / Single Phase 208-240 VAC 50/60 Hz / Three Phase 208-240 VAC 50/60 Hz / Three Phase 480 VAC 50/60 Hz / Three Phase 600 VAC 50/60 Hz							
Control Options	Analog Remote							
<b>INSTALLATION</b>								
Mounting Hardware	Universal Mount Hardware							
Extension	Optional extensions are available in 1 ft increments; all drop lengths require guy wires							
<b>RATINGS AND COMPLIANCE</b>								
Fire and Sprinkler	NFPA Compliant							
Wash Down Duty Rating***	IP55							
Certifications	UL 507							

\*For spacing between fan units based on the dimensions of a specific space please refer to <https://macroairfans.com/airviz>.

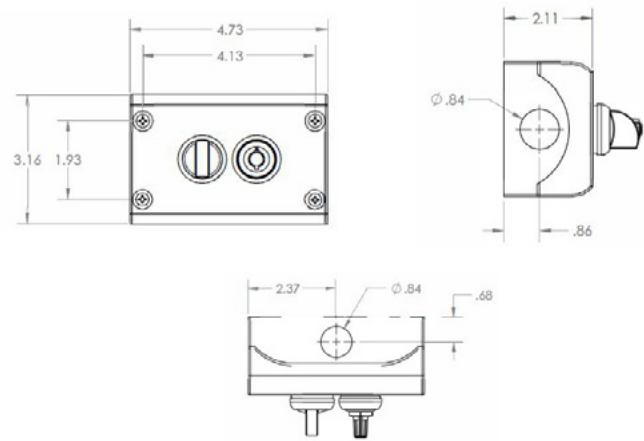
\*\*Sound testing taken with the sensor 5 ft above the ground and 20 ft from the center of the fan at 20 ft high.

\*\*\*Applicable to the fan unit only, does not include controller and control panel.

# MacroAir Controllers - Analog Remote



- Available for AirLegacy only
- Controls 1 fan
- Simple and intuitive variable speed control



Features	Analog Remote
Item #	30-90301-00
# Fans Controlled	1 fan
Display	2.8 TFT
Rating	IP 65
Weight (incl. enclosure)	375 g
Communication Protocol	0-10V
Size (incl. enclosure)	91.2 x 135.5 x 42.0
Operating Temperature	16° to 158°F / -10° to +70°C
Storage Temperature	-22° to 176°F / -30° to +80°C