

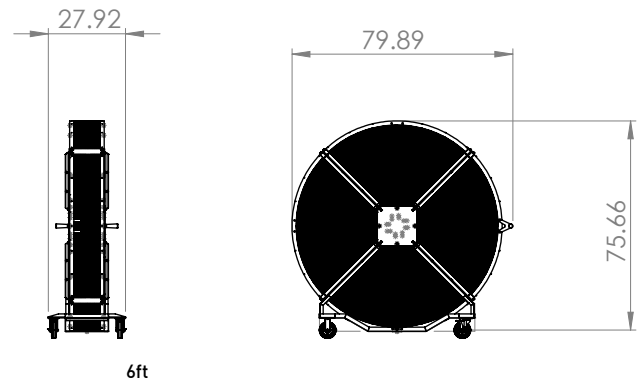
MacroAir AirRival

Take your MacroAir fan wherever you need with the new AirRival. Boasting powerful 6 ft diameter MacroAir anodized aluminum blades and a 3/8 horsepower gearmotor, this fan delivers impressive air movent directly where you want it, when you want it. The AirRival's powder coated cage and robust frame allow you to easily transport this fan with confidence, while its sturdy casters and gripped handles make it surprisingly easy to maneuver. Perfect for sporting events, hard to reach dead spots in your current HVAC system, or just wheeled around the shop with you, it brings maximum comfort where ever it rolls.



STANDARD FEATURES

- 3/8 HP AC induction industrial gearmotor
- Clearcoat anodized aluminium blades
- Forward, reverse, variable speed
- 10 ft input power cable with pre-wired 110-120V plug
- OSHA Compliant Cage
- ETL/Intertek Listing Pending
- Designed to fit inside most enclosed trailers for even further mobility



AIRFOIL DIAMETER

Airfoil Style	4.5" Extruded Anodized Aluminum Airfoil
Number of Airfoils	6

PERFORMANCE

Max Speed	250 RPM
Max Throw	120 ft [36 m]

WEIGHT CONSIDERATIONS

Weight	381 lb [173 kg]
Max Torque	5.8 ft lb [7.86 Nm]

MOTOR AND DRIVE TRAIN

Motor Type	AC Induction Gearmotor
Horsepower Rating	3/8 HP
Max Operating Temp	104 F° [40C°]

MAX AMP DRAW

120V VAC Single Phase	6.8A
-----------------------	------

POWER AND CONTROLS

Power Source	110V-120V Plug
Controls	Analog Speed and Direction Control on Fan Unit

RATINGS AND COMPLIANCE

Washdown Rating	IP55 (motor)*
-----------------	---------------

*Washdown rating is for fan unit only. Proper ingress protection must be added to receptacle to achieve full washdown rating.

