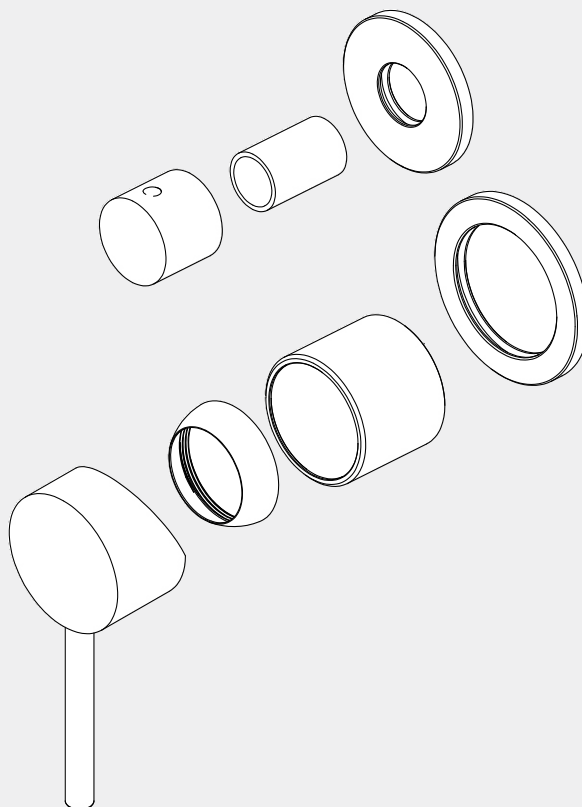


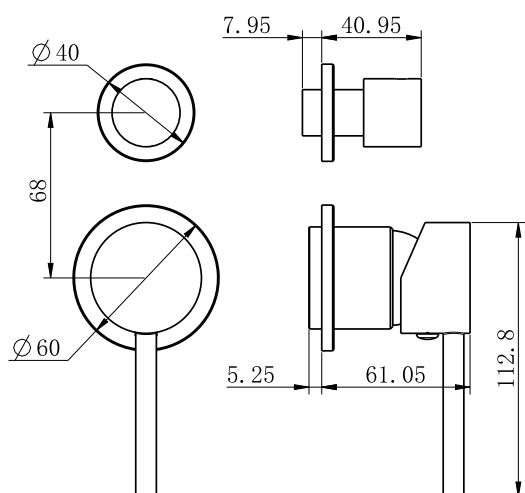
Dolce Shower Mixer With Divertor Separate Back Plate Trim Kits Only

Nero



Versions:202311

Drawing



Specifications

SKU

NR250811et

Watermark License

WM-060073






Temperature Rating

Min 1°C-Max 75°C

Pressure Rating

Min 150kpa - Max 500kpa

Finish

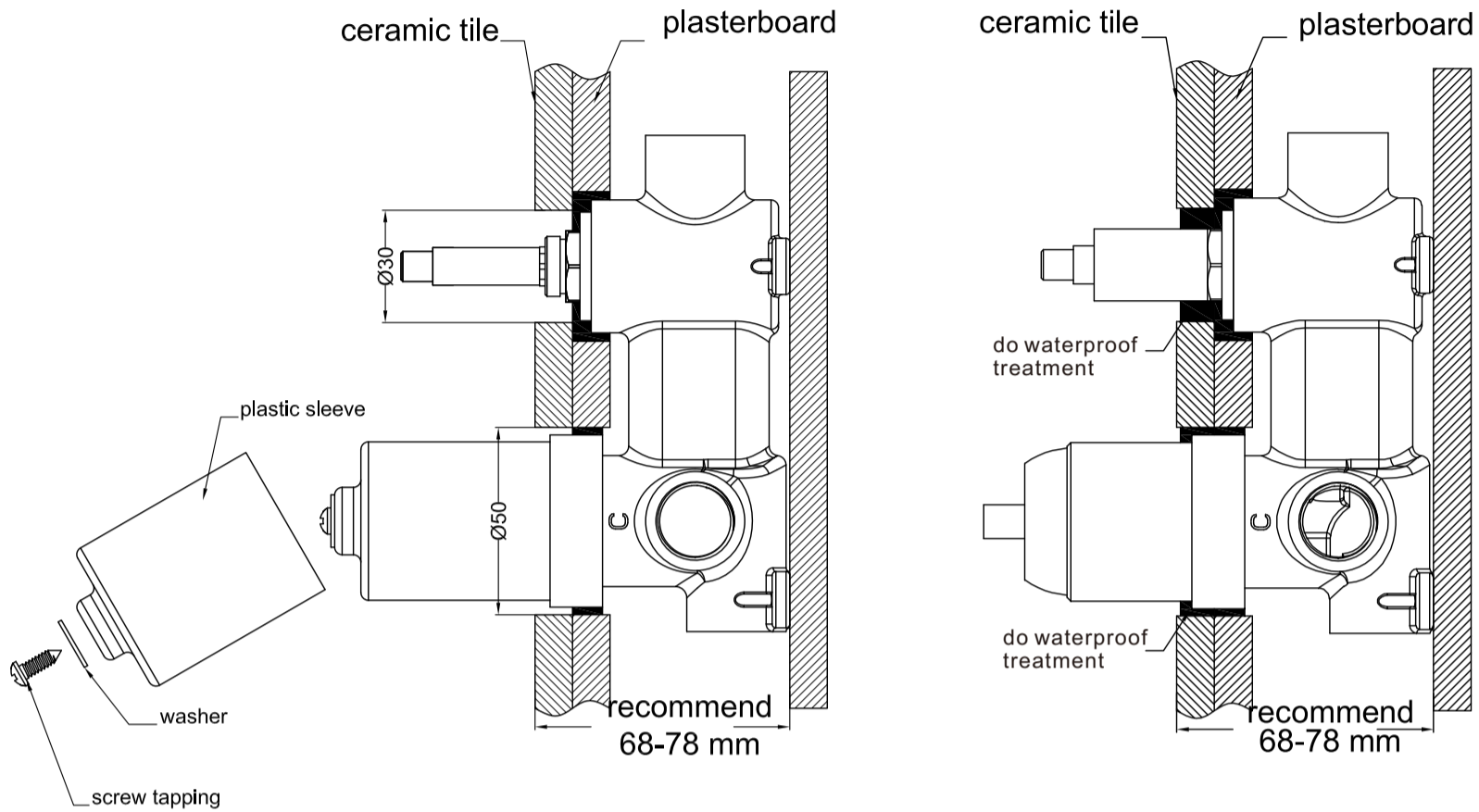
- | | | |
|--|---|---|
|  Chrome
NR250811etCH |  Gun Metal
NR250811etGM |  Brushed Nickel
NR250811etBN |
|  Matte Black
NR250811etMB |  Brushed Gold
NR250811etBG | |

Packaging Includes

- 2x Plates
- 1x Handle
- 1x Knob
- 1x Sleeve
- 1x Cartridge Bell
- 1x Dressing Ring

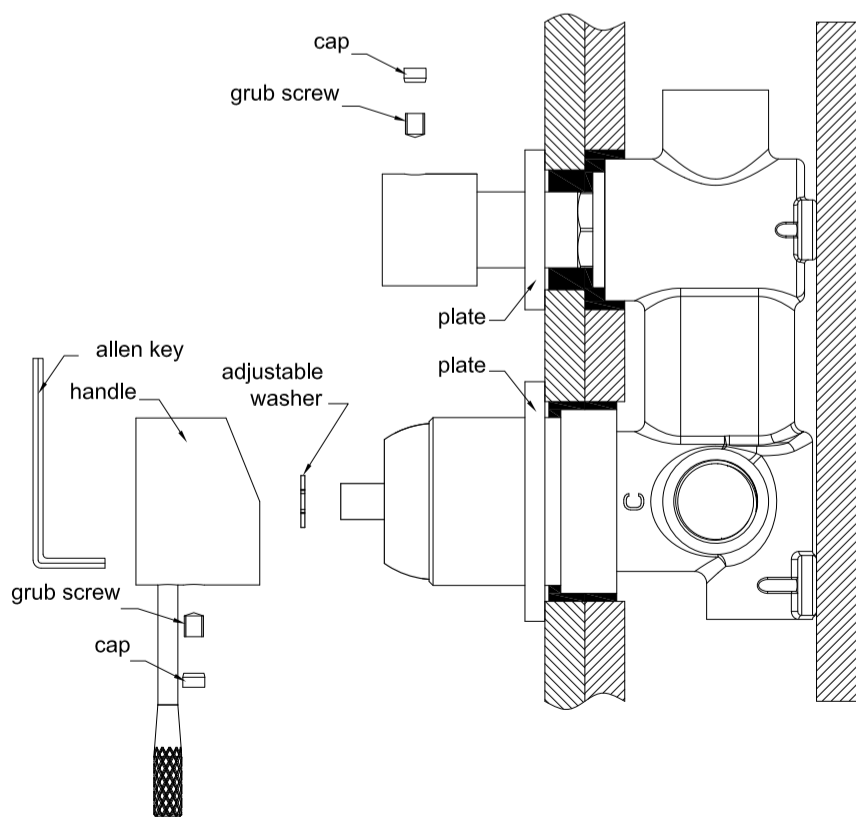
*Dimensions are nominal measurements only.

Installation Instruction For Trim Kits Only



1. Drill a $\phi 50$ and a $\phi 30$ hole on ceramic tile, then install ceramic tile according to above picture.
2. Remove self-tapping screw, washer, plastic sleeve.

3. Put on cartridge bell and divertor sleeve.
4. Screw on dressing ring.
5. Do waterproof treatment for the gap between plastic sleeve and cartridge bell and gap between ceramic tile and divertor sleeve.



6. Put plates onto body.
7. Put adjustable washer onto cartridge stick, install handle, tighten grub screw of handle firmly by allen key, put cap in grub screw hole.
8. Put knob onto divertor cartridge, tighten grub screw of knob firmly by allen key, put cap into knob grub screw hole.

Nero

info@nerotapware.com.au
nerotapware.com.au

11-13 Buontempo Road
Carrum Downs Vic 3201

