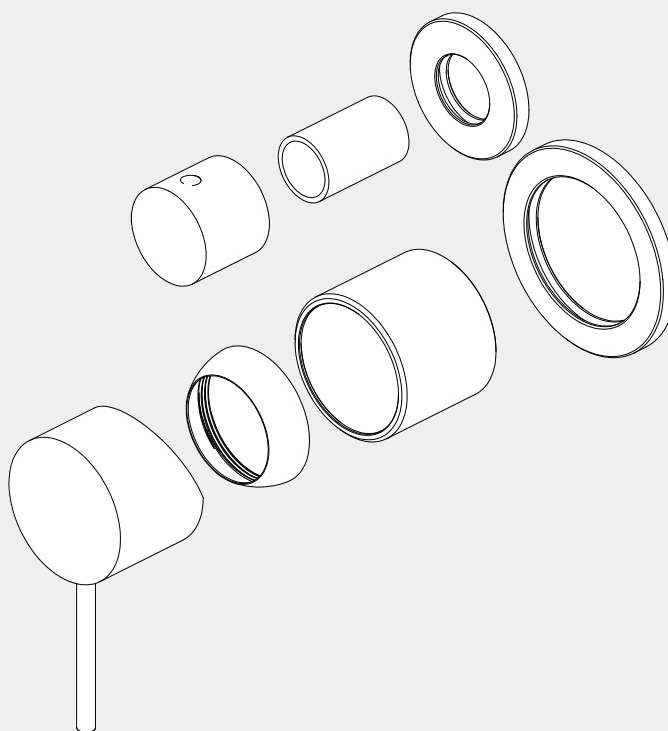


Mecca

Nero

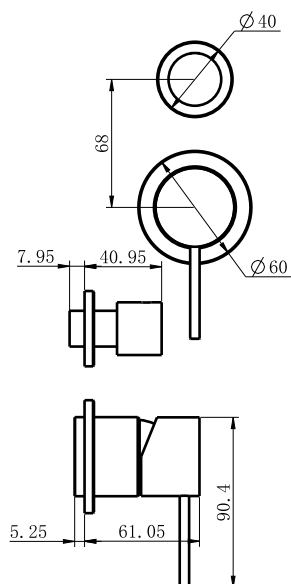
Shower Mixer With Divertor

Separate Back Plate Trim Kits Only



Versions:202311

Drawing



Specifications

SKU

NR221911st

Watermark License

WM-060073

Temperature Rating

Min 1°C-Max 75°C

Pressure Rating

Min 150kpa - Max 500kpa

Finish

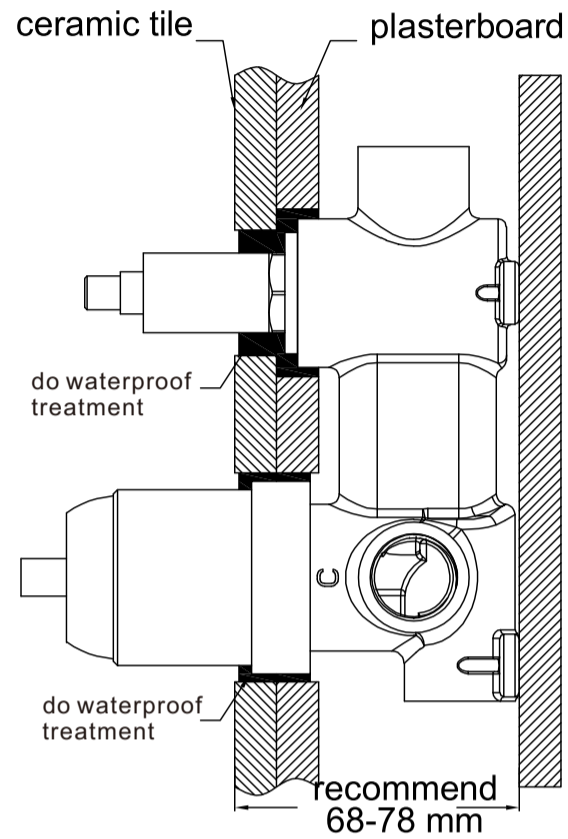
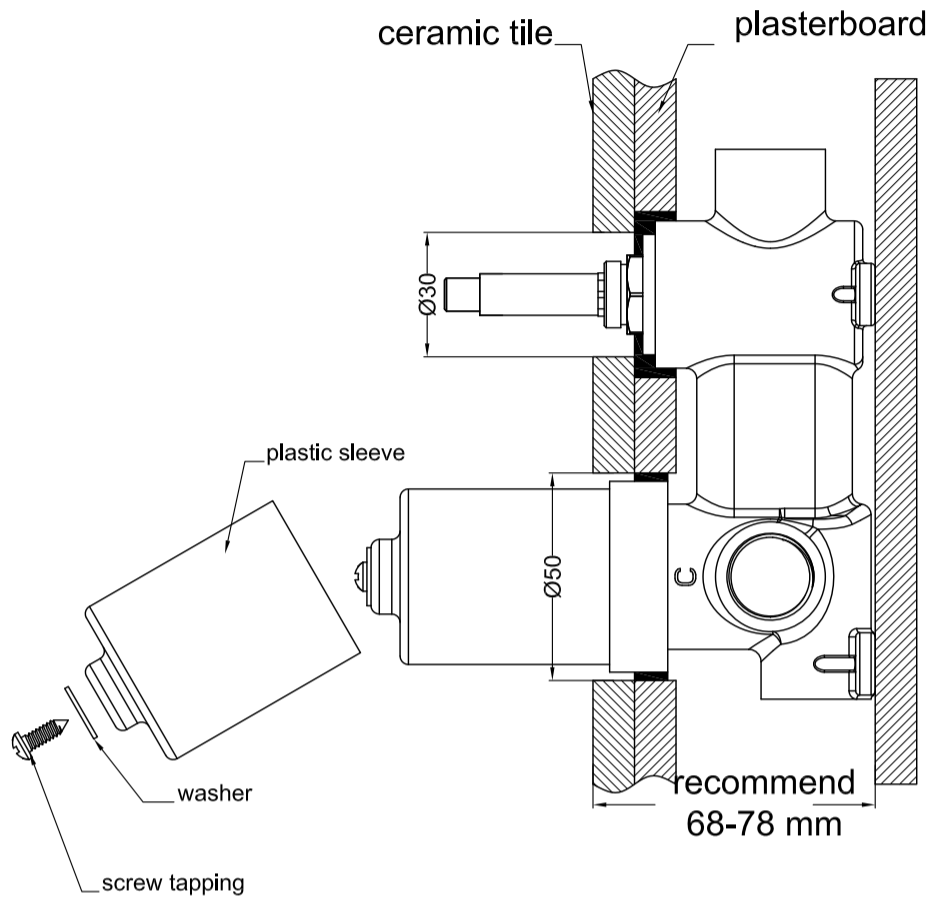
 Chrome NR221911stCH	 Gun Metal NR221911stGM	 Brushed Bronze NR221911stBZ	 Brushed Nickel NR221911stBN
 Matte Black NR221911stMB	 Brushed Gold NR221911stBG	 Matte White NR221911stMW	

Packaging Includes

2x Plates
1x Handle
1x Knob
1x Sleeve
1x Cartridge Bell
1x Dressing Ring

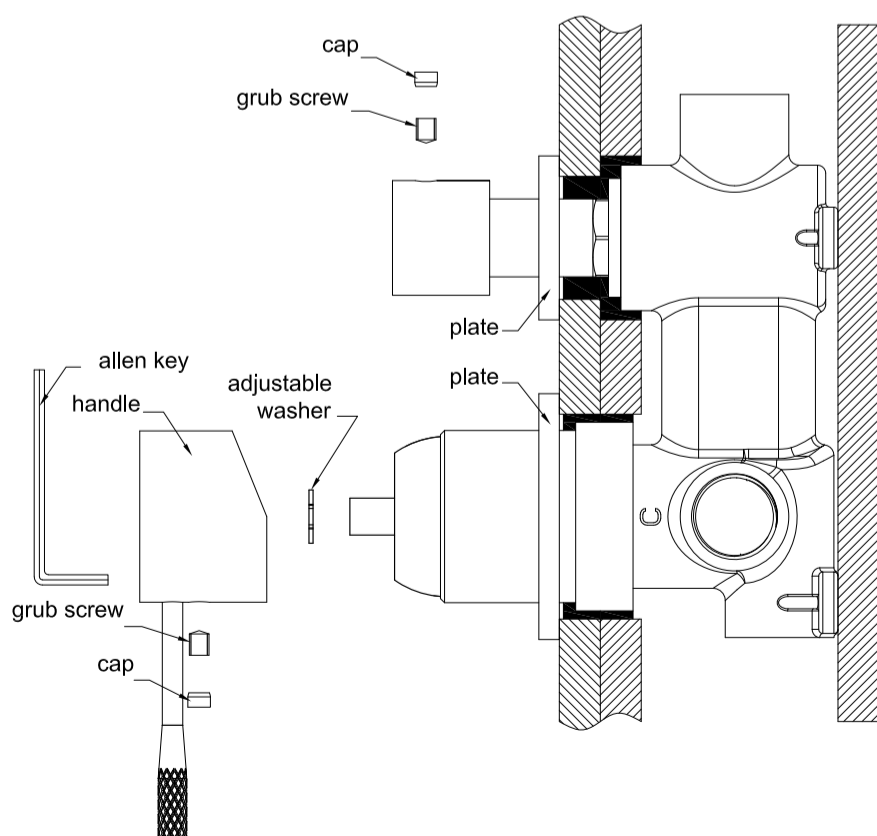
*Dimensions are nominal measurements only.

Installation Instruction For Trim Kits Only



1. Drill a $\phi 50$ and a $\phi 30$ hole on ceramic tile, then install ceramic tile according to above picture.
2. Remove self-tapping screw, washer, plastic sleeve.

3. Put on cartridge bell and divertor sleeve.
4. Screw on dressing ring.
5. Do waterproof treatment for the gap between plastic sleeve and cartridge bell and gap between ceramic tile and divertor sleeve.



6. Put plates onto body.
7. Put adjustable washer onto cartridge stick, install handle, tighten grub screw of handle firmly by allen key, put cap in grub screw hole.
8. Put knob onto divertor cartridge, tighten grub screw of knob firmly by allen key, put cap into knob grub screw hole.

Nero

info@nerotapware.com.au
nerotapware.com.au

11-13 Buontempo Road
Carrum Downs Vic 3201

