

# SUZANA

FREESTANDING BATH - Premium Sanitary Grade Acrylic, High Gloss White

The Suzana's rectangular shape features reclining back rests at either end for comfort, perfect for dual bathing. The sharp square edges allow it to be installed up against a wall or into the corner of a tiled bathroom, to save bathroom space and make cleaning easier. *Centre waste position.*

- ✓ Adjustable self-supporting feet
- ✓ Lumbar support
- ✓ Suitable for dual bathing
- ✓ Internal steel support frame

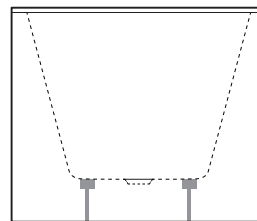
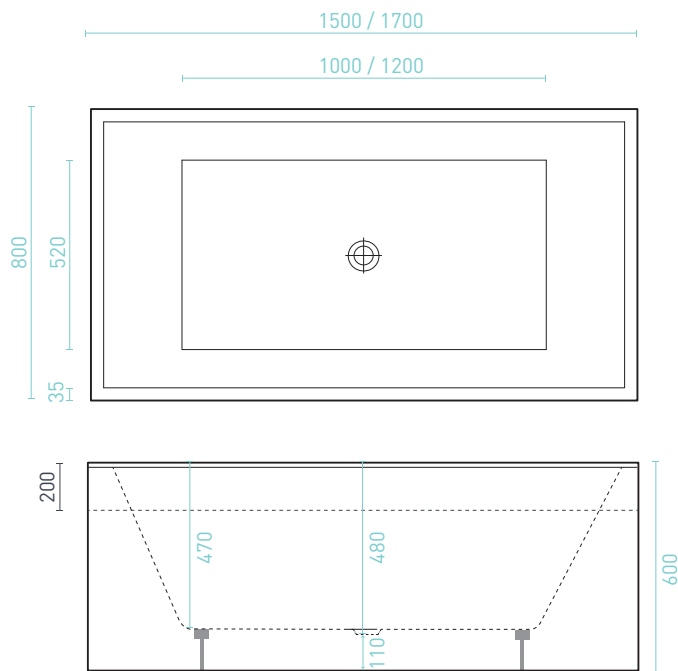


SIZE (l) x (w) x (d) mm	CAPACITY*	NET WEIGHT	CODE
1500 x 800 x 600	182L	47kg	<b>SU1500W</b>
1700 x 800 x 600	204L	51kg	<b>SU1700W</b>



- 10 YR WARRANTY\*
- AS/NZ Standard 2023/1995

SUZANA ACCESSORIES	OPTIONAL
40mm Bath Waste Removable Pop-Up Plug - Chrome	<b>WA001</b>
Standard Flexible Bath Connector	<b>OWA005</b>
FIORE Headrest - Black	<b>SY242-A-B</b>
FIORE Headrest - White	<b>SY242-A-W</b>



\*Capacity 200mm below the bath rim