

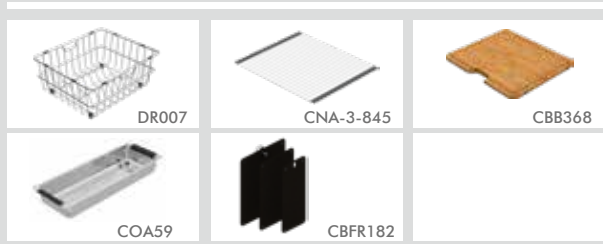


Model Code: LUA190T14

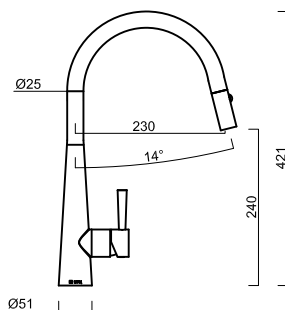
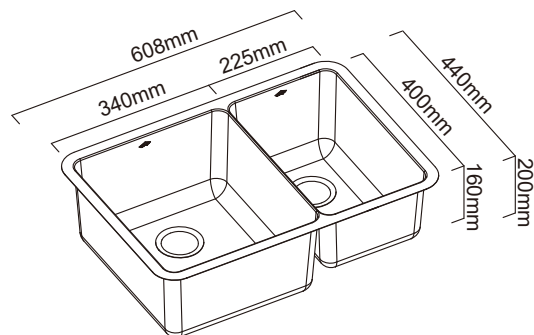
Included Accessories



Optional Accessories



Dimensions



Specifications

Description	Double bowls, Inset / Undermount Sink
Overall Sink Size	608mm x 440mm x 200mm deep
Bowl Dimensions	340mm x 400mm x 200mm deep 225mm x 400mm x 160mm deep
Drainer Length	N/A
Technic	Pressed
Material	Stainless steel SUS304

Installation

Fixings	Inset and Undermount clips supplied
Template	N/A
Min Cabinet Size	700mm
Waste Holes	2 x 90mm round Compatible with waste disposal
Sealing Strip	N/A

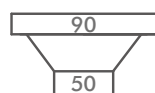
Plumbing

Waste Fittings	2 x (90mm x 2") basket wastes included
Overflow	Available, conditions apply

SURFACE FINISH



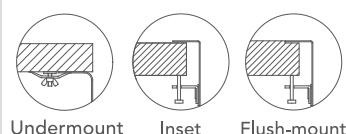
WASTE KIT



MATERIAL



INSTALLATION OPTIONS



PROFILE



Abey are Australia's leaders in sinkware, designing and manufacturing to the world's highest quality specifications as well as sourcing and bringing you Europe's very best, leading edge designs – practical, affordable, inspirational, stylish, timeless or cutting edge. When you buy an Abey stainless steel sink you receive the highest quality and 25 year warranty. Abey and the manufacturer are continually seeking ways to improve the design specifications, aesthetic and production techniques of the products. As a result, alterations to the specifications and dimensions of the products and designs occur continually.