

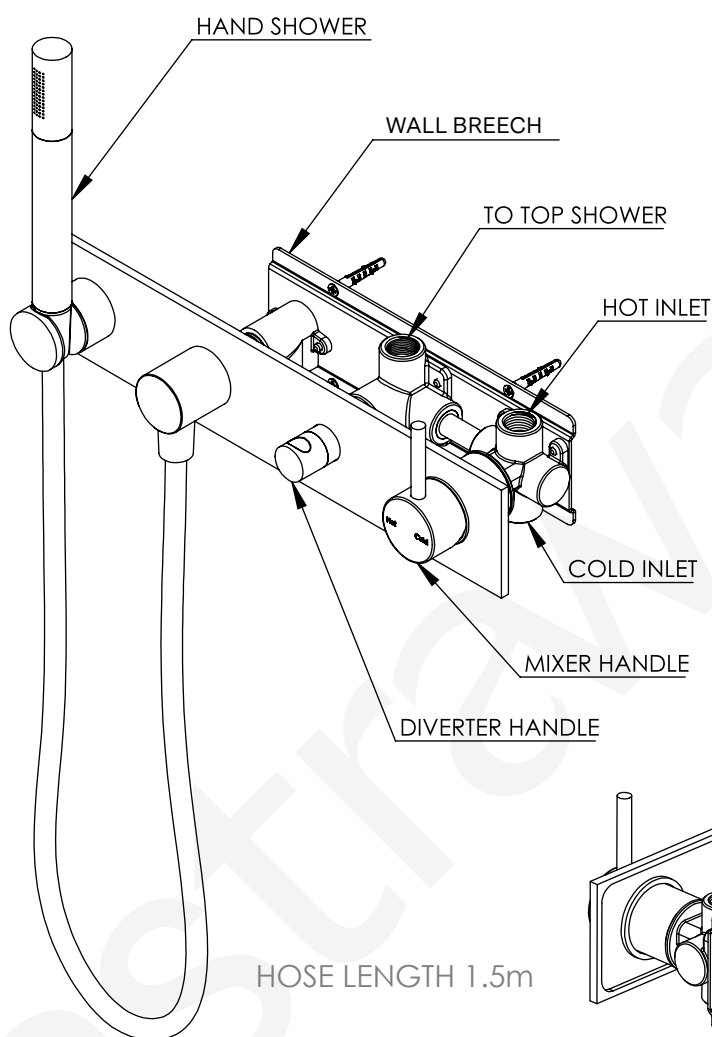
A69.48.42.V4

WALL SET WITH HAND SHOWER, DIVERTER & MIXER

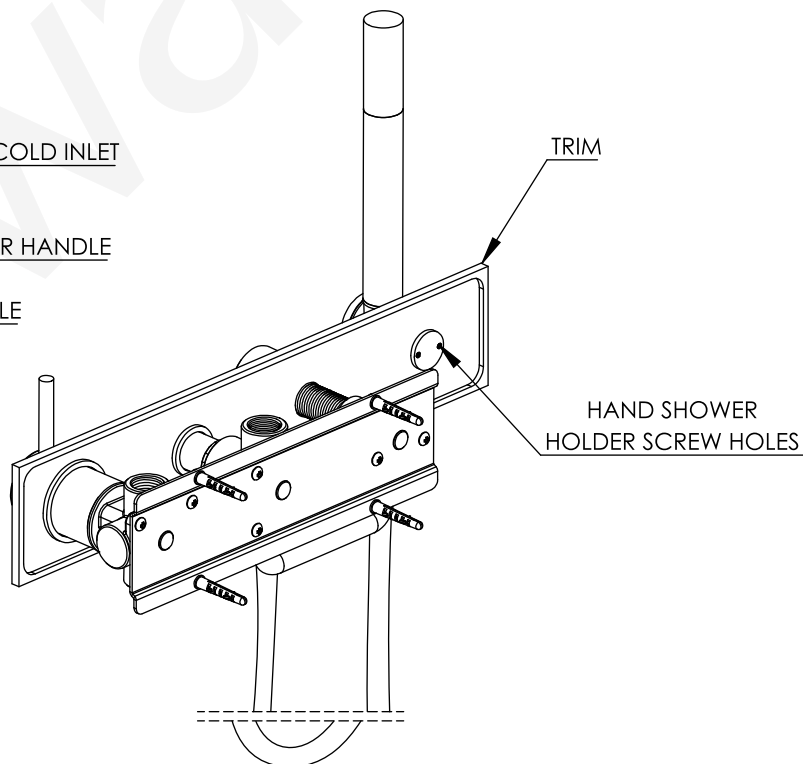
3 STAR/9Lpm WELS RATING

- Tapware to be installed by a licenced plumber in accordance with AS/NZS 3500:2003
- Recommended working water pressure 150 - 500kPa
- Maximum water temperature is 65 deg C
- After completing the installation check function of tapware and ensure no water leaks.

VIEW FROM FRONT



VIEW FROM BACK



A69.48.42.V4

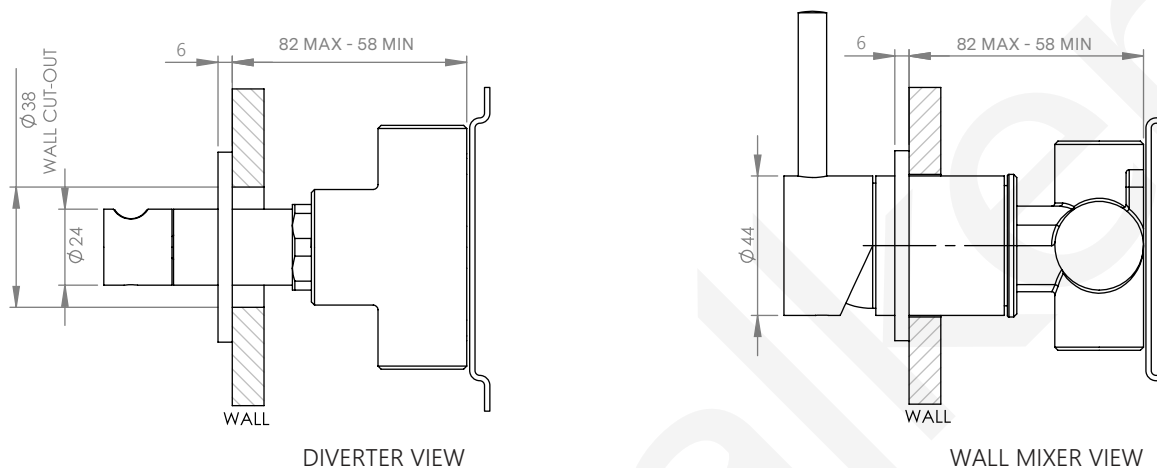
WALL SET WITH HAND SHOWER, DIVERTER & MIXER

3 STAR/9Lpm WELS RATING

Install wall breach to a secure nogging at the correct depth as shown in the drawing below.

Ensure the breach is square and parallel between the wall studs.

To allow the tapware to fit correctly the thickness of the finished wall surface must be calculated prior to 'rough-in'.



Ensure water lines are completely flushed prior to connecting the mixer.

Prior to fit off ensure the correct size cut-out has been achieved on all components.

Attach handle to the handle insert and adjust into correct position, and tighten well using an Allen Key.

