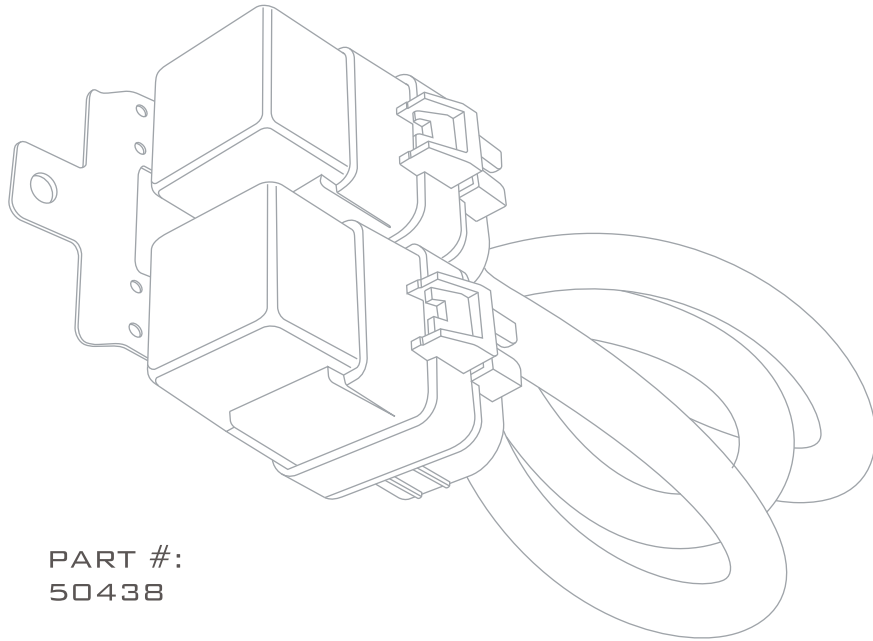




THE AUTOMOTIVE LIGHTING BENCHMARK



PART #:
50438

INSTALLATION GUIDE
2015 RAM-SPECIFIC HARNESS





WARNING: By reading this document, I agree it is only to be used as an educational guide. Morimoto Lighting makes no guarantee on any finished results, nor are they to be held responsible for any damage, misuse, or personal injuries. Use at your own risk. If you are unable to clearly understand and adapt the information below to your own application, professional installation is recommended.



12VDC SYSTEMS ONLY!



DO NOT CUT!



GROUND TO BARE METAL ONLY!

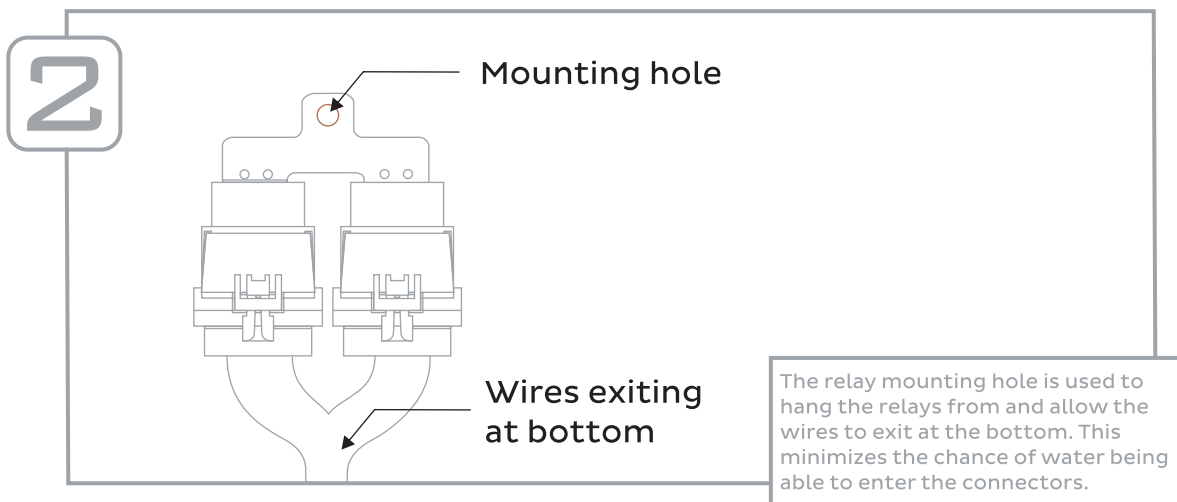
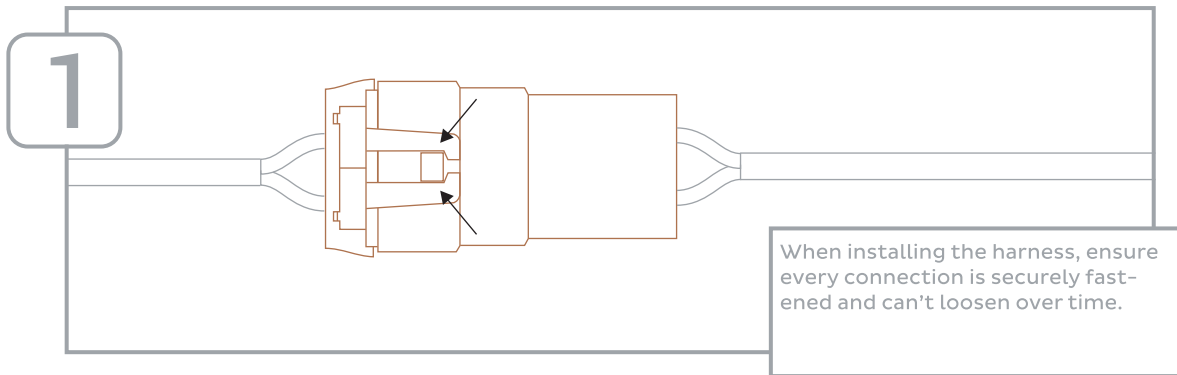


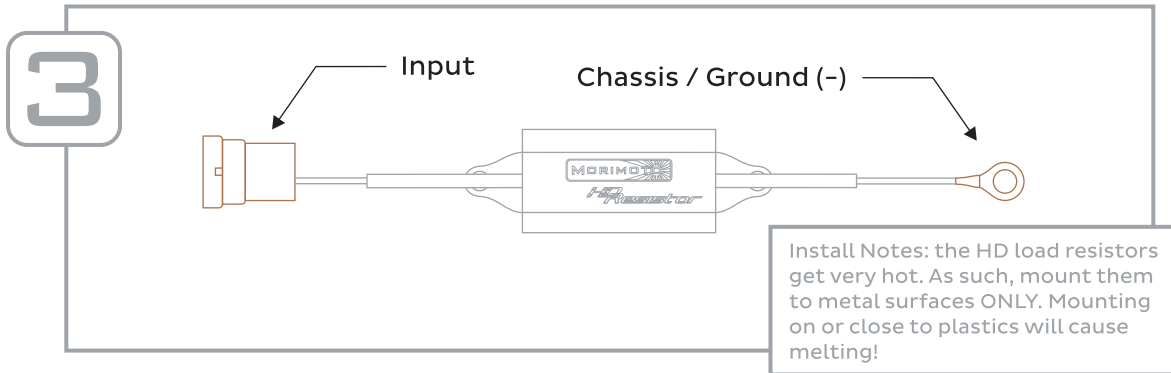
CAUTION: HOT!



MOUNT EACH RESISTOR TO METAL DIRECTLY! NO PLASTIC SURFACES!

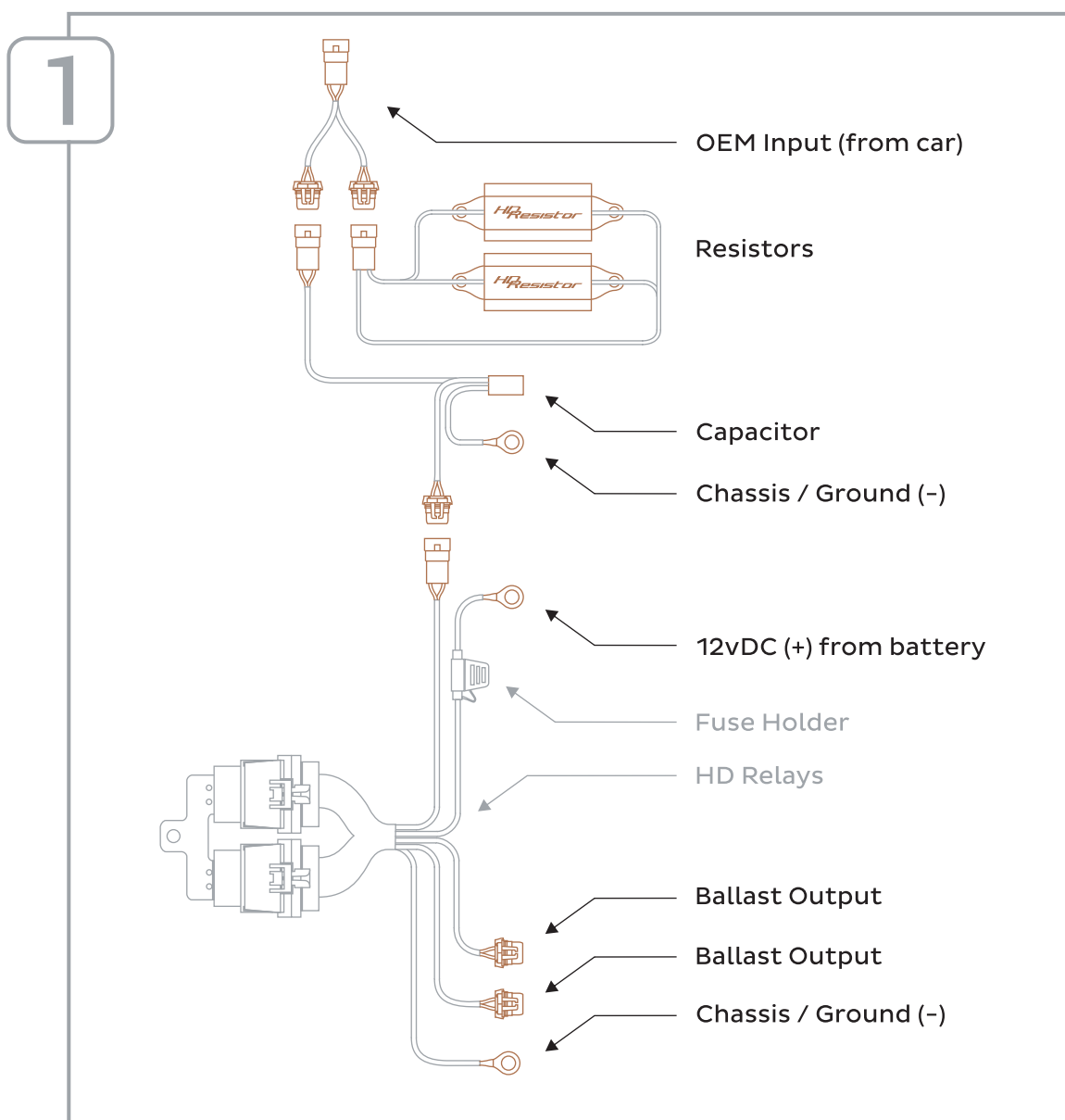
SPECIAL NOTES



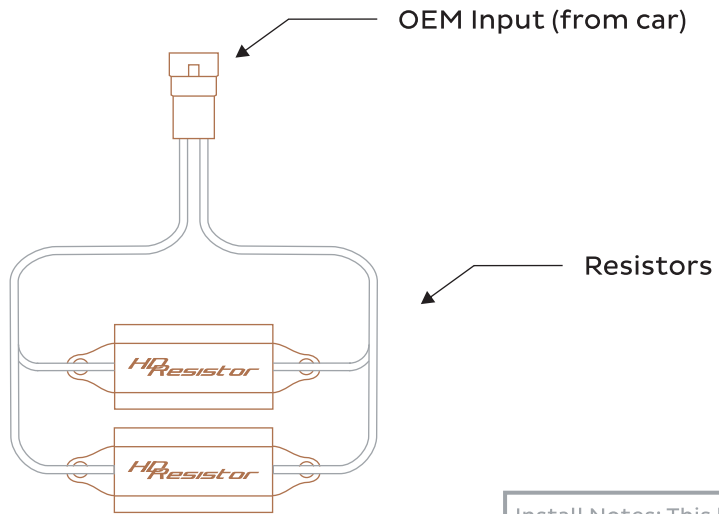


-END-

SCHEMATIC



2



Install Notes: This harness is for the side of the vehicle opposite the battery / 12v+ power source.

-END-