

Item: _____	Model #: _____
Quantity (Qty): _____	Project: _____

Crisp N' Hold

OE12CH-CT | OE18CH-CT



OE18CH-CT

100% manufactured from raw materials to provide the best cooking experience, a high standard of quality, and the highest durability in its class to meet the needs of a top-of-the-line commercial kitchen.

The **OCTO Crisp N' Hold** extends the hold time of fried food by sustaining a constant flow of hot air through the food.

The appliance is therefore able to reduce the accumulation of moisture by circulating and gradually heating air around and through the food, thus saving energy and keeping the food warm and crispy.

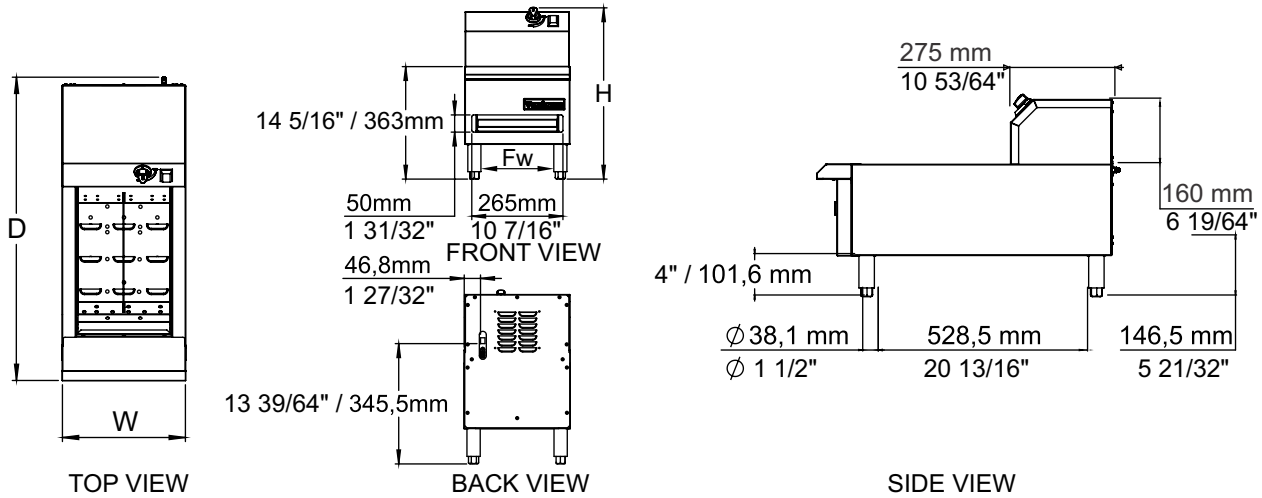
STANDARD FEATURES

- 1-year parts and labor warranty.
- Available in 12" (305 mm) or 18" (460 mm) width.
- 2,000-Watt heating element with forced air blowers and ducts to direct warm air.
- Stainless steel front and sides.
- Stainless steel Food zone.
- Adjustable 4" chrome-plated carbon steel legs.
- On/off toggle switch with indicator light.
- Easily removable stainless steel crumb/drip pan.

AREA FOR CONSULTANT / CONTRACTOR:

Crisp N' Hold

OE12CH-CT | OE18CH-CT



MODELS	Exterior Product Dimensions & Weight					Shipping Crate Dimensions & Weight				Inside dimensions		
	Width (W)	Depth (D)	Height (H)	Fw	Weight	Width	Depth	Height	Weight	Width	Depth	Height
OE12CH-CT	12" (305 mm)	32 23/64" 822 mm	19 17/32" 496 mm	9" 229 mm	26 lbs 12 kg	15 15/16" 405 mm	34 29/64" 875 mm	22 53/64" 580 mm	44 lbs 20 kg	10" 254 mm	15 3/4" 400 mm	4 7/32" 107 mm
OE18CH-CT	18" (460 mm)			15 7/16" 384 mm	35 lbs 16 kg	19 7/8" 505 mm			62 lbs 28 kg	15 15/16" 405 mm		

UTILITY INFORMATION

SPECIFICATIONS

- 2,000-Watt heating element.
- Warms up to 194°F (90°C). Preheating takes approximately 10 minutes.
- 1-year parts and labor warranty.

ELECTRICAL

ELECTRICAL DATA					ELECTRICAL DATA				
Model	Frequency (Hz)	Tension (V)	Rated Power (W)	Maximum Electric Current (A)	Model	Frequency (Hz)	Tension (V)	Rated Power (W)	Maximum Electric Current (A)
OE12CH-CT	60	120	2,100	17.5	OE18CHCT	60	120	2,200	18.3
		208		10.1			10.6		
		240		8.8			9.2		

Note: all options are single phase.

CLEARANCE REQUIREMENTS

- There must be a distance of at least 2" (50 mm) from any obstacle all around the appliance in order to prevent overheating damage.

MISCELLANEOUS

- Check the current legislation for electrical installation;
- Intended for commercial use only and not for household use.

Venancio continuously improves the design of its products, therefore reserves the right to change specifications at any time without prior notice. Such revisions do not entitle the buyer to corresponding changes, improvements, additions or replacements for previously purchased equipment.