



# TC 22 COLORADO - TC 32 COLORADO



# TC 32 CALIFORNIA

*Meat grinders, heavy duty*



TC 32 Colorado



TC 22 Colorado

- Powerful - up to 3 Hp - and compact for busy environments where space is at a premium.
- Complete stainless steel construction to withstand heavy-duty application and ensure the highest levels of hygiene.
- Fast and easy breakdown and assembly without tools for thorough cleaning.
- High efficiency 2 and 3 Hp air-cooled motors for continuous operation.
- Gear motor with oil-bath transmission and double seal for long-lasting and maintenance-free operation.
- Supplied with one simple cut knife and plate.

## Features

### Technical

- Sealed gear box with hardened gears in oil bath.
- Stainless steel AISI 304 conveying screw and head.
- 5 different plates available (3/16", 7/32", 5/26", 3/8", 9/16").

### Safety

- An interlock stops the machine when removing the feed tray.

### Sanitary

- Head is completely removable for an easy and fast cleaning and sanitation.

## Specifications

<b>Standard plate:</b>	TC 22: 3/16" (4.5 mm.) TC 32: 1/4" (6 mm.)
<b>Motor 22:</b>	2 Hp (1470 W), fan cooled.
<b>Motor 32:</b>	3 Hp (2205 W), fan cooled.
<b>Electrical 22 Colorado:</b>	120V AC, 60Hz, 13 Amps
<b>Electrical 32 Colorado:</b>	220V AC, 60Hz 1-phase, 4.2 Amps
<b>Electrical 32 California:</b>	220V AC, 60Hz 3-phase, 4.5 Amps
<b>Plug and Cord:</b>	Attached, flexible, 3 wire SJT 16 AWG, 6'4" long cord.
<b>Controls:</b>	Rotary on/off/reverse

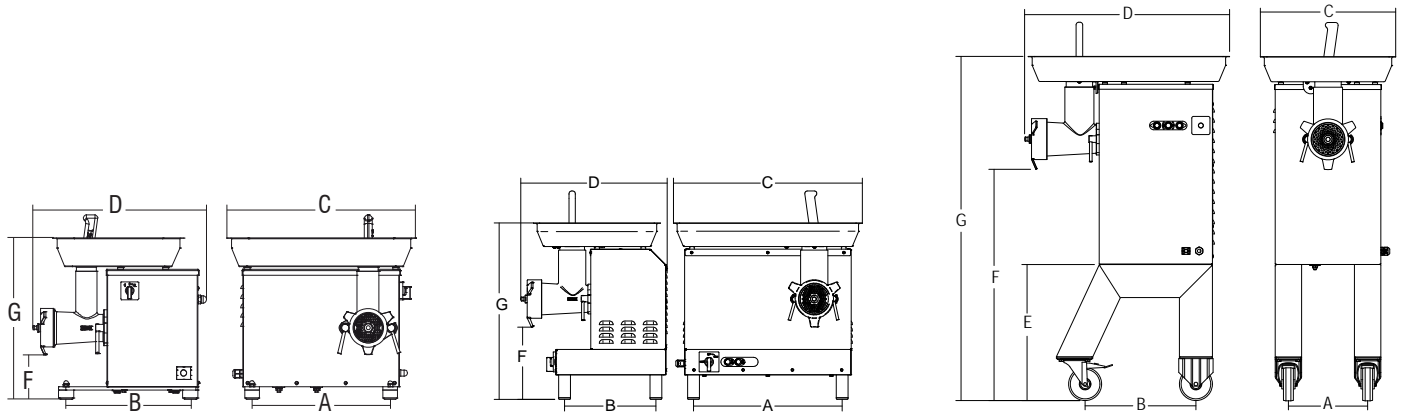




Certified to UL Standard 763 and NSF Standard 08  
 Certified to CSA Standard C22.2



**TC 32 CALIFORNIA  
 - FLOOR MODEL -**



	Power	Power source	TC output/h	Standard plate	A	B	C	D	E	F	G	Net weight	Shipping	Gross weight
	watt/Hp		lbs./h.	Ø inch.	inch.	inch.	inch.	inch.	inch.	inch.	inch.	lbs.	inch.	lbs.
<b>TC 22 Colorado</b>	1470/2	120V AC, 60Hz	660	3/16"	14 <sup>29/64</sup> "	12 <sup>63/64</sup> "	18 <sup>37/64</sup> "	18 <sup>11/64</sup> "	-	4 <sup>11/16</sup> "	16 <sup>57/64</sup> "	80	36" x 36" x 25"	110
<b>TC 32 Colorado</b>	2205/3	220V AC, 60Hz	880	1/4"	18 <sup>57/64</sup> "	11 <sup>39/64</sup> "	24 <sup>1/64</sup> "	18 <sup>5/8</sup> "	-	9 <sup>11/64</sup> "	22 <sup>7/16</sup> "	90	30" x 23" x 32"	125
<b>TC 32 California</b>	2205/3	220V AC, 60Hz, 3Phase	880	1/4"	9 <sup>29/64</sup> "	11 <sup>59/64</sup> "	16 <sup>9/64</sup> "	24 <sup>29/64</sup> "	16 <sup>7/32</sup> "	41"	46"	112	28" x 22" x 48"	140