



YouTube

# KATANA 6 - KATANA 12 PTO - KATANA 20 VV

Horizontal bowl cutters



YouTube



KATANA 6



KATANA 12 PTO

- Designed for high volume production, the Katana series provides homogeneous product texture
  - Continuous feed of meats, cheese, salads, dips, spreads, breads and emulsified sausage batters
  - Stainless steel AISI 304 construction, for durable long life
  - Cutlery grade 3-blade hub to efficiently decrease processing time for faster results, 5000 cuts per minute
  - 3-blade Hub driven by powerful ventilated asynchronous motor at 1680 rpm
  - Removable bowl cover, 3-blade hub and bowl without tools, for easy cleaning and thorough sanitation.
  - Maximum protection against liquid infiltration on the shaft
  - 3 5/8" s/steel legs with rubber feet
  - Bowl cover safety interlock
  - Thermal overload motor protection
  - ON/OFF s/steel keypad, IP 67 waterproof.
- No voltage release

## KATANA 12 PTO

- comes standard with PTO hub

## Optional

- Triple serrated blades hub
- Triple unsharpened blades hub
- Set of 4 - 28" tall s/steel legs and casters

## Specifications

<b>Construction:</b>	Stainless steel body
<b>Electrical Katana 6:</b>	120V AC, 60Hz, single-phase, 6.8A - 1 HP
<b>Electrical Katana 12:</b>	120V AC, 60Hz, single-phase, 12.6A - 2 HP
<b>Electrical Katana 20:</b>	220V AC, 60Hz, single-phase, 7A - 3,25 HP
<b>Plug &amp; Cord:</b>	Attached plug, flexible, 3 wire SJT 16 AWG, 6' long cord.
<b>Controls:</b>	ON/OFF stainless steel keypad. IP 67 waterproof. No voltage release.



Certified to UL Standard 763 and NSF Standard 08  
 Certified to CSA Standard C22.2



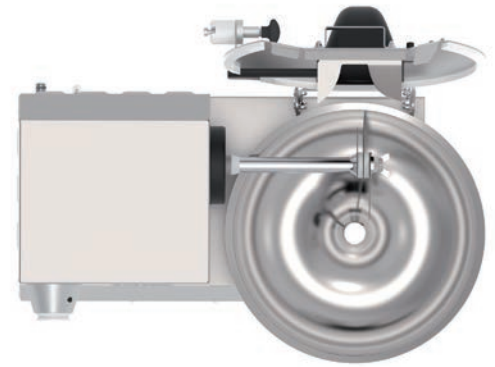
**STANDARD**  
 Hub with 3 blades



**OPTIONAL**  
 Hub with 3 serrated blades

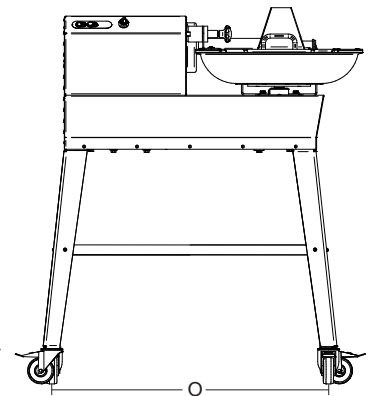
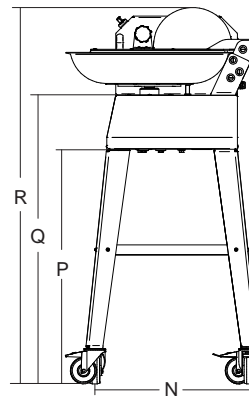
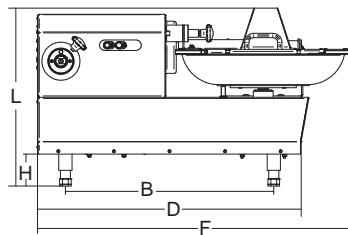
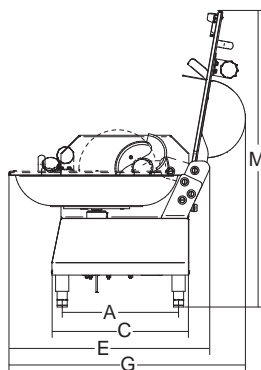


**OPTIONAL**  
 Hub with 3 unsharpened blades



Optional thermometer on lid

Removable bowl cover, 3-blade hub and bowl without tools,  
 for easy cleaning and thorough sanitation



	Power	Power source	Bowl capacity	3-blade hub rotation	A	B	C	D	E	F	G	H	L	M	N	O	P	Q	R	Net weight	Shipping	Gross weight
	watt/Hp		lb	r.p.m.	inch.	inch.	inch.	inch.	inch.	inch.	inch.	inch.	inch.	inch.	inch.	inch.	inch.	inch.	inch.	lbs.	inch.	lbs.
<b>KATANA 6</b>	750/1	120V AC - 60HZ - 6.8A	10	1.680	11 <sup>3</sup> / <sub>4</sub> "	21 <sup>1</sup> / <sub>4</sub> "	14"	28"	20 <sup>1</sup> / <sub>3</sub> "	32 <sup>3</sup> / <sub>4</sub> "	23"	3 <sup>5</sup> / <sub>8</sub> "	18 <sup>5</sup> / <sub>8</sub> "	30"	16 <sup>3</sup> / <sub>4</sub> "	30 <sup>1</sup> / <sub>2</sub> "	28"	34"	42 <sup>7</sup> / <sub>8</sub> "	134	32" x 48" x 34"	220
<b>KATANA 12 PTO</b>	1400/2	120V AC - 60HZ - 12.6A	20	1.680	13 <sup>3</sup> / <sub>16</sub> "	23 <sup>5</sup> / <sub>8</sub> "	15 <sup>1</sup> / <sub>2</sub> "	29 <sup>13</sup> / <sub>16</sub> "	23 <sup>1</sup> / <sub>8</sub> "	35 <sup>1</sup> / <sub>2</sub> "	26 <sup>3</sup> / <sub>4</sub> "	3 <sup>5</sup> / <sub>8</sub> "	20"	33 <sup>1</sup> / <sub>2</sub> "	18 <sup>3</sup> / <sub>8</sub> "	33"	28"	34 <sup>3</sup> / <sub>8</sub> "	44 <sup>13</sup> / <sub>16</sub> "	156	32" x 48" x 34"	240
<b>KATANA 20 VV</b>	2387/3.25	220V AC - 60HZ - 7A	33	600/2.600	15 <sup>23</sup> / <sub>64</sub> "	25 <sup>19</sup> / <sub>32</sub> "	17 <sup>23</sup> / <sub>32</sub> "	32 <sup>9</sup> / <sub>32</sub> "	27 <sup>9</sup> / <sub>16</sub> "	39 <sup>7</sup> / <sub>8</sub> "	32 <sup>23</sup> / <sub>64</sub> "	3 <sup>5</sup> / <sub>8</sub> "	19 <sup>61</sup> / <sub>64</sub> "	37 <sup>13</sup> / <sub>64</sub> "	20 <sup>33</sup> / <sub>64</sub> "	34 <sup>7</sup> / <sub>8</sub> "	28"	34 <sup>49</sup> / <sub>64</sub> "	46 <sup>13</sup> / <sub>16</sub> "	203	39 <sup>3</sup> / <sub>8</sub> " x 47 <sup>1</sup> / <sub>4</sub> " x 31 <sup>1</sup> / <sub>2</sub> "	287