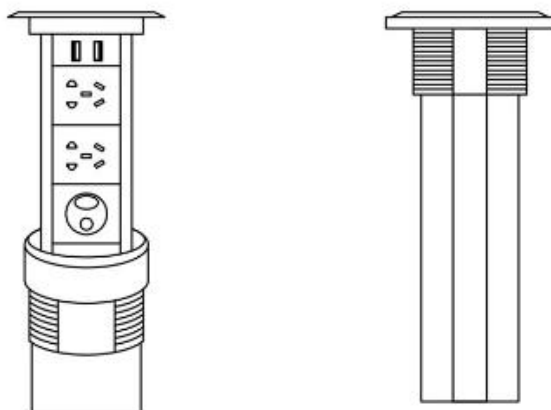


# Motorized pop up socket use instructions



## Product Features

- Rated voltage range: AC110V-250V
- Rated frequency: 50-60HZ
- Rated current: 16A

## SPECIFICATION

- Product size; 425\* 120MM
- Cut-out size: R100MM

## APPLICATION

It is suitable for offices, podiums, conference rooms, kitchen, ect.

## CHARACTERISTIC

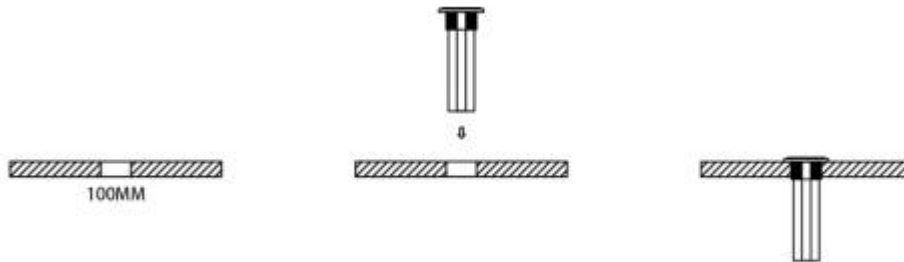
- Material: Made of aluminum alloy wire drawing panel
- USB charging: Built-in 5V power supply, you can use the USB interface to charge your phone
- With LED lighting design: Mysterious blue lights surround the top of the product
- One-button design: wireless charging and switch are combined into one, reducing redundancy, saving space, and beautiful.
- IP44 safety performance: adopts safer product structure design, all-round protection.
- Safe and reliable: The top is waterproof when hidden on the desktop to avoid water droplets and foreign objects. The humanized design will give you more consideration.
- Built in wireless charger, keep press the button until hear the sound, connect the bluetooth with your phone to play the music.

## INSTALLATION METHOD

Step 1: First open a round hole with a diameter of 100MM on the desktop

Step 2: Put the product into the hole

Step 3: Rotate the equipped nut up to the top and fix it with a screwdriver (as shown in the figure below)



### ATTENTION:

When the product does not rise or fall smoothly, please check whether the power plug is properly connected.

Please do not disassemble the product without instruction.

### STORAGE AND TRANSPORTATION

- This product should be stored in a dry, clean, well-ventilated room.
- This product should be reloaded and transported in carriages and spaces with carports, and kept clean to avoid sun and rain.