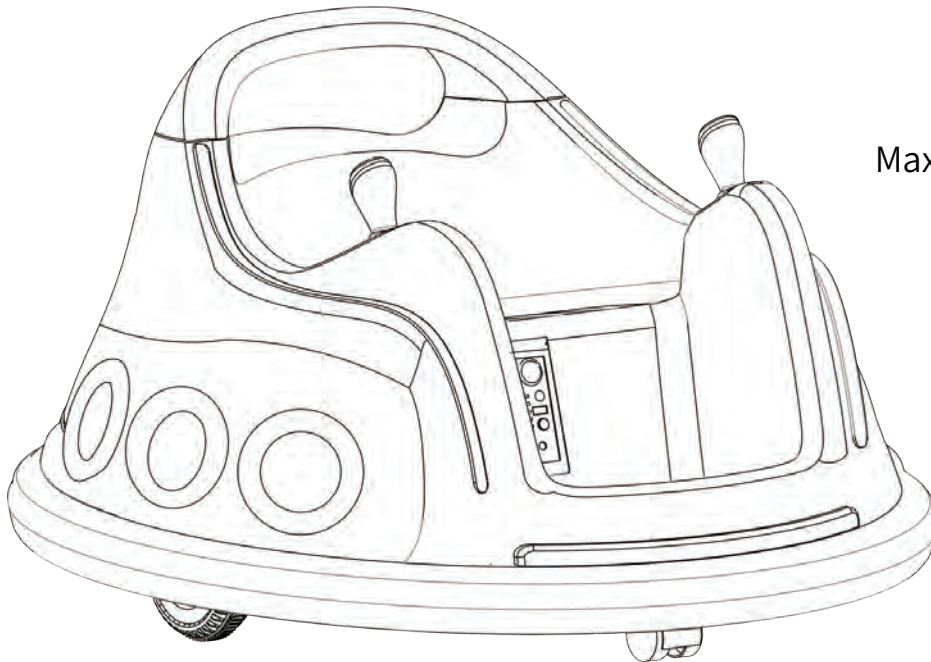


Joywhale

12V RIDE ON CAR

- Suitable for 3-8 years
- Maximum user weight: 66lbs/30kg
- Adult assembly required

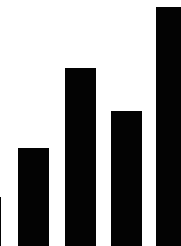
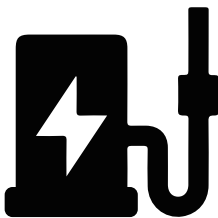




Please install this ride-on car according to the instruction and the installation video on the detail page of your purchased product.

Charge for 4-6 hrs before initial use.

After initial charge, follow the normal recommended charging time.



① SAFETY

NOTE	For best performance, only use this vehicle on flat and hard surfaces
AGE RANGE	37-96 months
WEIGHT CAPACITY	66LBS (30KG) is the maximum weight for 1 rider (combined)

⚠ WARNING

PREVENT INJURIES AND DEATHS:

- NEVER LEAVE CHILD UNATTENDED. ADULT SUPERVISION IS REQUIRED. Always keep child in view when child is in vehicle.
- This toy should be used with caution since skill is required to avoid falls or collisions causing injury to the user or third parties.
- Protective equipment should be worn.
- Never use in roadways, near cars, on or near steep inclines or steps swimming pools or other bodies of water.
- Always wear shoes.
- Always sit on the seat.
- Not to be used in traffic.
- This toy is unsuitable for children under 37 months due to its maximum speed; Maximum user weight is 30 kgs.
- This toy has no brake.

WARNING

- Keep Children within safe riding areas:
Never use in roadway, near motor vehicles, on lawn space, on or near steep inclines or steps swimming pools or other bodies of water; Use the toy only on flat surfaces. Such as inside your house, garden or playground.
- Never use in the dark. A child could encounter unexpected obstacles and have an accident. Operate the vehicles only in the daytime or well-lit area.
- It is prohibited to change the circuit or add other electric parts.
- Inspect wires and connections of the vehicle periodically.
- Do not let any child touch the wheels or be near them when the car is moving. NEVER pick up the battery by the wires or charger. Damage can occur to the battery and may cause a fire. Pick up the battery by the case ONLY. Charge the battery in a dry area ONLY.
- Battery posts, terminals and related accessories contain lead and lead compounds, chemicals known to the State of California to cause cancer and reproductive harm. Wash hands after handling.
- Do not open the battery. Battery contains lead acid and other materials that are toxic and corrosive.
- Do not open the charger. Exposed wiring and circuitry inside case electric shock. Only adults may handle or charge the batter. NEVER allow child to handle or charge the battery. Battery is heavy and contains lead acid (electrolyte).
- Do not drop the battery. Permanent damage to the battery could occur or cause serious injury.
- Before charging the battery, check for wear or damage to the battery, charger, its supply cord and the connectors. DO NOT charge the battery if any damage to parts has occurred.
- Do not allow the battery to drain completely. Recharge the battery after each use or once a month if not used regularly.
- Do not charge battery upside down.
- Always secure the battery with bracket, battery can fall out and injure a child if vehicle tips over.
- The POWER SWITCH must be turned in OFF position when charging.

- Before the first use, you should charge the battery for 4-6 hours. Do not recharge the battery for more than 10 hours to avoid overheating the charger.
- When the vehicle begins to run slowly, recharge the battery.
- After each use or once a month minimum recharge times as 8 to 12 hours, less than 20 hours at most.

Item	Specification
Battery	12V/ 4.5AH
Motor	12V/ 15W*2
Age	37- 96 months
Max Weight	Under 66LBS (30KG)
Dimension	28.7*28.7*17.3 INCH (73*73*44CM)
Speed	0.7-1.2MPH (1.2-2KM/H)
Charge Time	8-12 HOURS
Charger	Output DC 12V
Power way	Charging type

② TOOLS REQUIRED



2 PERSON
ASSEMBLY



APPROXIMATELY
45 MIN ASSEMBLY



SCREWDRIVER
(BRING YOUR OWN)

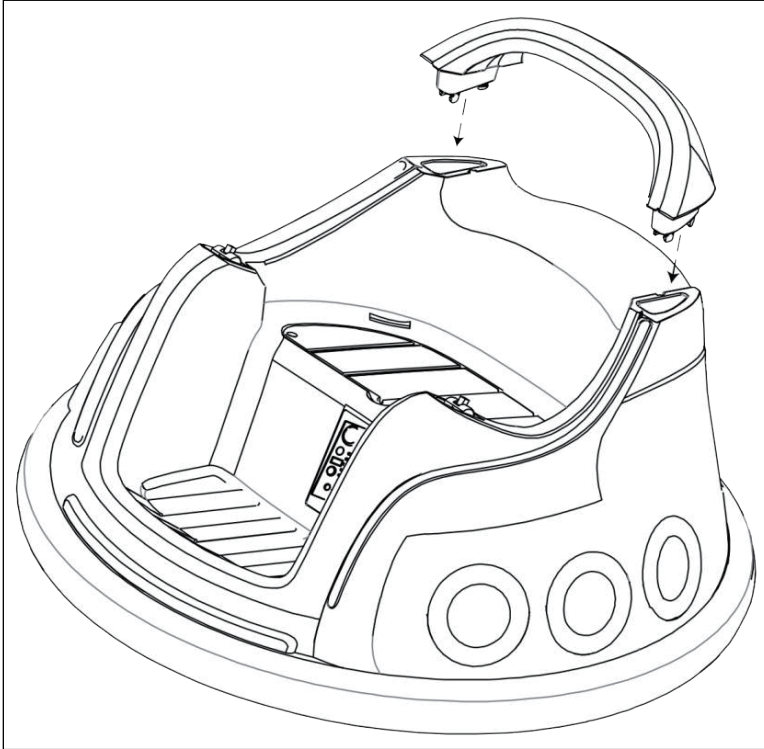
Number	Name	Quantity
1	Remote Control	1
2	Charger	1
3	Manual	1
4	Backrest	1
5	Push handle switch	2
6	Screw	2

⚠ WARNING

FOR THE SAFETY OF YOUR CHILDREN. PLEASE READ ALL WARNINGS AND ASSEMBLY/USE INSTRUCTIONS. KEEP THIS GUIDE FOR FUTURE REFERENCE.

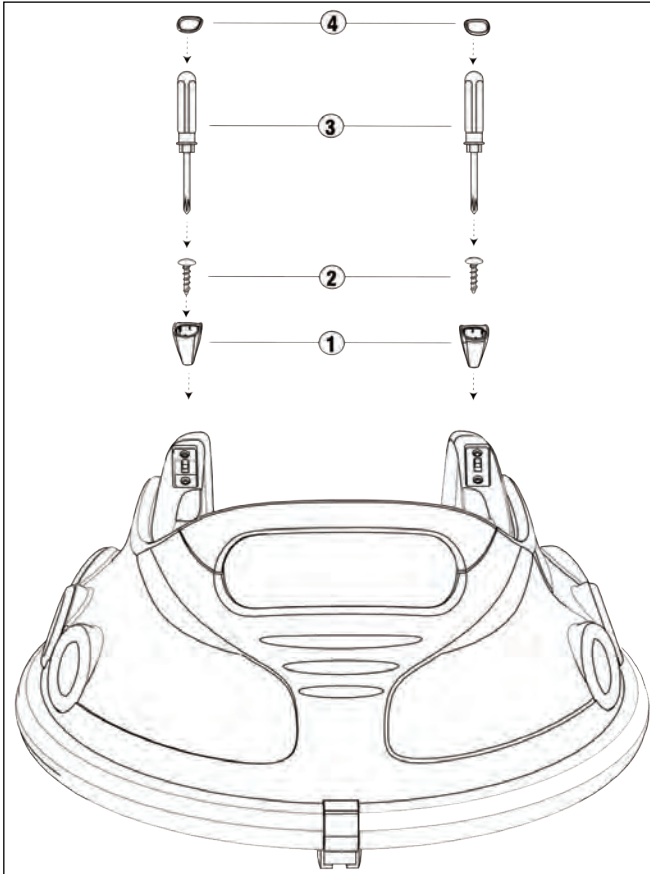
- ADULT ASSEMBLY REQUIRED. The product contains small parts, which are for adult assembly only. Keep children away when assembling.
- Always remove protective material and poly bags and dispose before assembly.

③ PRODUCT ASSEMBLY



Part 1: Backrest installation

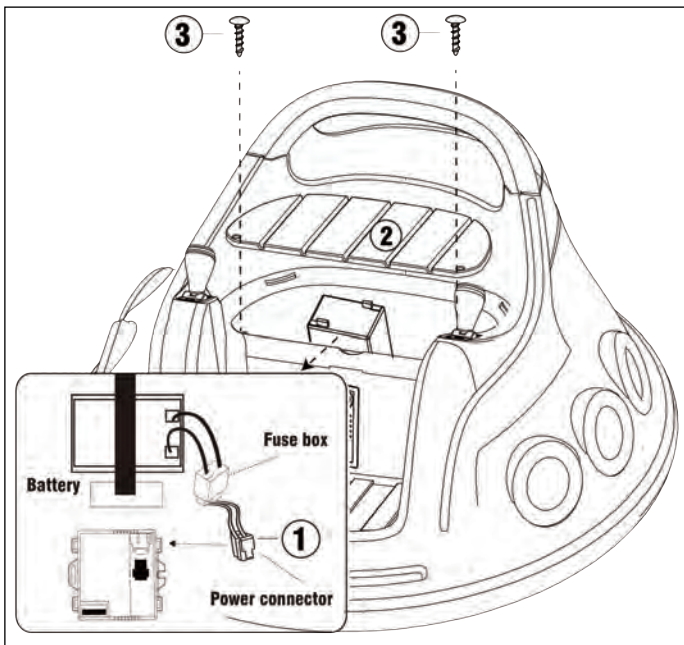
Clip backrest into the body.



Part 2: Install push handle switch

As shown in the figure: install the forward/backward switch to the designated position of the body.

- ① Clip the push handle into the specified position on the body.
- ②&③ Fix the push handle on the vehicle body with cross screwdriver and M3.5 * 20 screw.
- ④ Clip the push handle cap into the push handle.

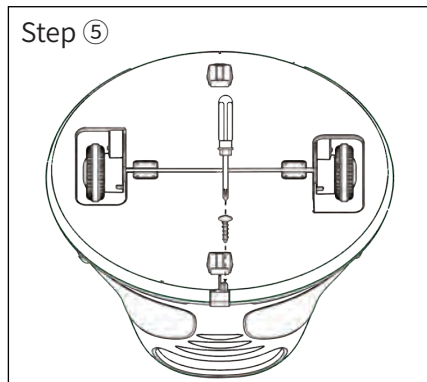
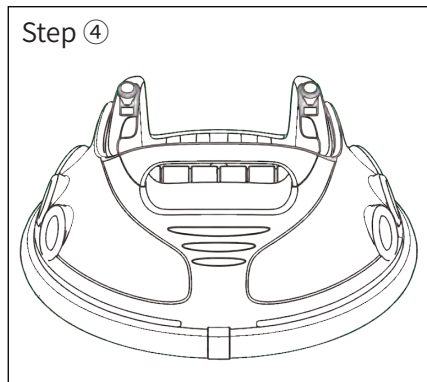
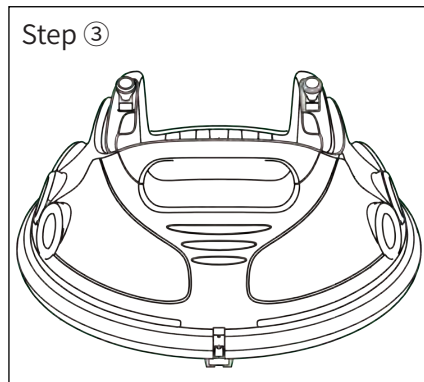
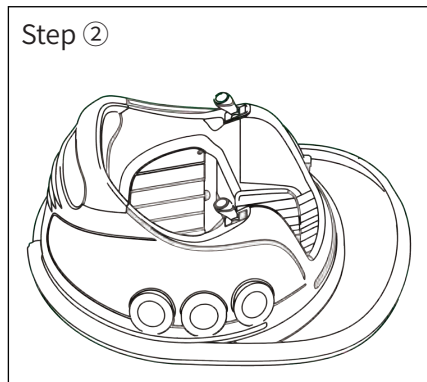
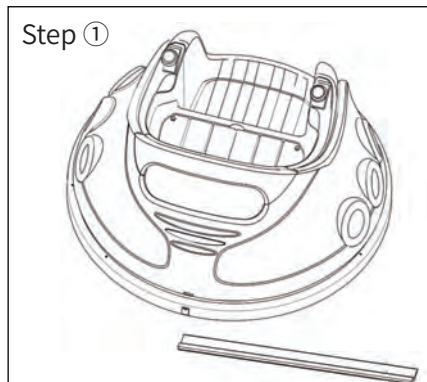


Part 3: Power Connecting & Install seat

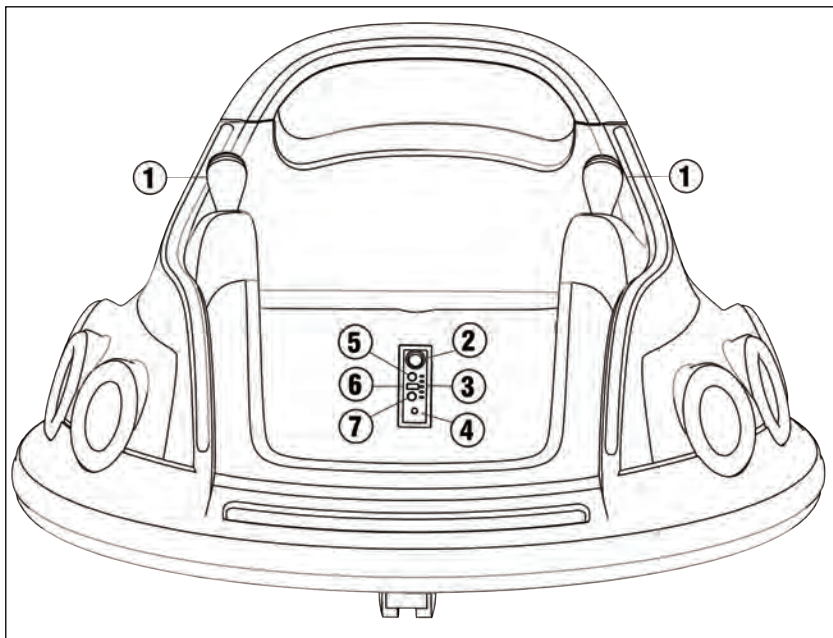
- ① Find out the main power line and insert the plug-in of the power line into the corresponding socket of the receiver;
- ② Install seat to the body.
- ③ Fix the seat with screw by cross screwdriver.

Part 4: Install buffer strip

As shown in the figure: wrap the buffer strip around the specified position on the body, and clip one end of the buffer fixing block into the body slot and the other end with M4 × 10 screw fixation.

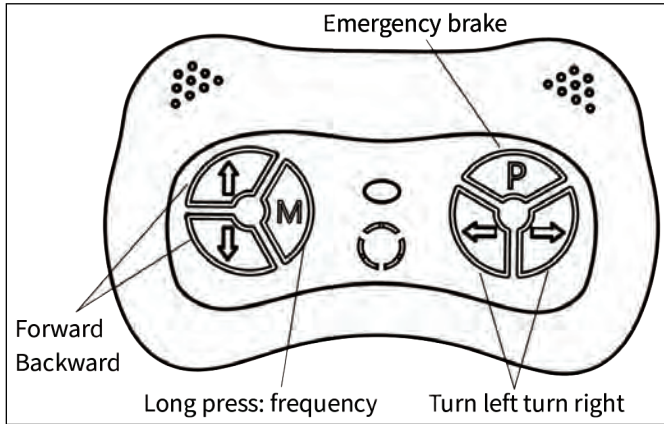


④ FUNCTION INTRODUCTION



- ① Forward-backward button: Control the car forward or backward, middle is stop.
- ② Power button: Turn the vehicle on and off.
- ③ Power display: Clearly see the battery power, in order to charge.
- ④ Socket: charge.
- ⑤ Wireless Technology: Press the ⑤ button to enter, and you can hear the "Du" sound. Then select the device named "YX" on your mobile phone. After connected, the car can play your own music.
Music function: Double press the ⑤ button to play the car's pre-made music.
- ⑥ U;
- ⑦ Next song: Switch songs.

⑤ Use The Remote Control



⚠ WARNING

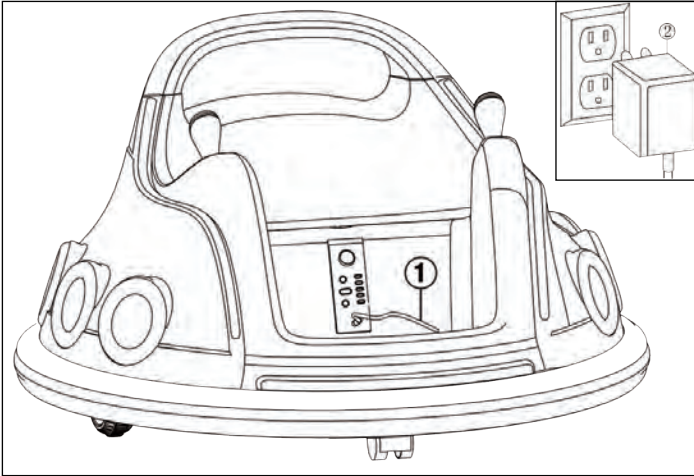
- This product does not included the AAA (1.5v).
- Only allow adult to use remote control, can not let the children touch.
- Subject to the material object.

Operation manual :

For the first time to use (Or replace the battery) Need to frequency bind.

- Take out the remote control, install the battery.
- Long press on the button “M” for 2-4 seconds, indicator light will flash.
- Turn on the power of the car, indicator light flashes to long lighting, then frequency bind succeed.
- If the frequency bind failed (Indicator light flashes), remove the battery and repeat steps 1~3.
- Remote control without operation after 10 seconds, indicator light will off into power saving mode.
- Button Description:
 - △ forward ▽ backward ◁ turn left ▷ turn right
 - P: emergency brake, press it and the running function will fail, press again, it release.

⑥ CHARGING INSTRUCTIONS



Battery Replacement

To avoid losing power, follow these guidelines:

- Do not overload the vehicle.
- Do not tow anything behind the vehicle.
- Do not drive up steep slopes.
- Do not drive into fixed objects, which may cause the wheels to spin, causing the motor to overheat.
- Do not drive in very hot weather, components may overheat.
- Do not allow water or other liquid to come in contact with the battery or other electric components.
- Do not tamper with the electric system. Doing so many create a short , causing the fuse to trip.

ONLY AN ADULT CAN CHARGE AND RECHARGE THE BATTERY!

Put the charger plug into the socket as picture .
Please turn off the power before Charge.

⑦ MAINTENANCE

- It is parents' responsibility to check main parts of the toy before using, Must regularly examine for potential hazard, such as the battery, charge, cable or cord, plug, screws are fastening enclosure of other parts and that in the event of such damage, the toy must not be until that damage had been properly removed.
- Make sure the plastic parts of the vehicle are not cracked or broken.
- Occasionally use a lightweight oil to lubricate moving parts such as wheels.
- Park the vehicle indoors or cover it with a tarp to protect it from wet weather.
- Keep the vehicle away from sources of heat, such as stoves and heaters. Plastic parts may melt.
- Recharge the battery after each use. Only an adult can handle the battery. Recharge the battery at least once a month when the vehicle Raider is not being used.
- Do not wash the vehicle with a hose. Do not wash the vehicle with soap and water. Do not drive the vehicle in rainy or snowy weather. Water will damage the motor, electric system and battery.
- Clean the vehicle with a soft, dry cloth. To restore shine to plastic parts, use a non-wax furniture polish. Do not use car wax. Do not use abrasive cleaners.
- Do not drive the vehicle in loose dirt, sand or fine gravel which could damage moving parts, motors or the electric system.
- When not using, all the electrical source should be turn off. Turn off the power switch and disconnect the battery connection.

TROUBLESHOOTING

Problem	Possible Cause	Remedy
Vehicle does not run	Battery low on power	Recharge battery (see Battery: Recharge Interval and Time)
	Thermal fuse has tripped	Let the vehicle rest for 5 to 10 minutes before continuing normal operation.
	Battery connector or wires are loose	Check that the battery connectors are firmly plugged into each other. If wires are loose around the motor, please contact customer service department by email: care@joywhale.com
	Battery is dead	Replace battery (Please contact customer service department by email: care@joywhale.com for further help)
	Electrical system is damaged	Please contact customer service department by email: care@joywhale.com
	Motor is damaged	Please contact customer service department by email: care@joywhale.com
Vehicle does not run very long	Battery is under charged	Check that the battery connectors are firmly plugged into each other when recharging
Loud grinding or clicking noises coming from motor or gear box	Motor or gears are damaged	Please contact customer service department by email: care@joywhale.com

Problem	Possible Cause	Remedy
Vehicle runs sluggishly or beeping occurs	Battery low on power	Recharge battery
	Battery is old	Replace battery (Please contact customer service department by email: care@joywhale.com for further help)
	Vehicle is over loaded	Reduce weight on vehicle (see User Requirements and Safety Warnings)
	Vehicle is being used in harsh conditions	Operate the vehicle level ground and firm surfaces (see User Requirements and Safety Warnings)
Vehicle needs a push to go forward	Poor contact of wires or connectors	Check that battery connectors are firmly plugged into each other. If wires are loose around the motor, please contact customer service department by email: care@joywhale.com
	“Dead Spot” on motor	A dead spot means the electric power is not being delivered to the terminal connection and the vehicle needs repair. Please contact customer service department by email: care@joywhale.com
12V Battery will not recharge	Battery connector or adapter connector is loose	Check that battery connectors are firmly plugged into each other
	Charger not plugged in	Check that battery charger is plugged into a working wall outlet
	Charger is not working (lights not glowing)	Please contact customer service department by email: care@joywhale.com
Battery bubbles or gurgles when charging	This is normal and not a cause for concern	
Charger feels warm when recharging	This is normal and not a cause for concern	

CARING FOR YOUR RIDE-ON

- Park the vehicle indoors or cover it with a tarp to protect it from wet weather.
- Do not leave the vehicle in the sun for long periods of time or fading may occur. Store in shade or cover with tarp.
- Do not wash the vehicle with a hose.
- Do not wash the vehicle with soap.
- Charge battery at least once a month to prolong the life of the battery.

If you have any questions about the steps of installing the product or if there are any problems with the product in use, please feel free to contact the customer service of your purchase platform by email.

⚠ WARNING

The battery on the vehicle is not replaceable.

- Do not mix old and new batteries.
- Do not mix alkaline, standard(carbon-zinc) or recharge able batteries.
- Non-rechargeable batteries should not be charged.
- Rechargeable batteries should be charged under adult supervision only.
- Exhausted batteries should be removed.
- The supply terminals should not be short-circuited.
- Do not put batteries next to or in a heat source(fire, electronic heating device, etc.).
- Do not hit batteries against hard objects.
- Do not submerge batteries in water.
- Batteries should be inserted with the correct polarity.

⚠ IMPORTANT

- Always charge battery for 4-6hrs the first time you use it.
- Always charge battery for 8-12hrs after each use.
- Charge the battery once a month, even if you are not using your vehicle.

WARNING

- Protective equipment should be worn. Not to be used in traffic.
- The toy should be used with caution since skill is required to avoid falls or collisions causing injury to the user or third parties.
- To reduce the risk of injury, adult supervision is required. Never use in roadways, near motor vehicles, on or near steep inclines or steps, swimming pools or other bodies of water; always wear shoes, and never allow more than one rider.

WARNING

CHOKING HAZARD-Small parts.
Not for children under 3yrs.
To reduce the risk of injury, adult supervision is required. Never use in roadways. Never motor vehicles, on or near steep inclines or steps, swimming pools or other bodies of water; always wear shoes, and never allow more than one rider.

WARNING

ADULT ASSEMBLY REQUIRED

WARNING

Not to be used in traffic

CARING FOR YOUR RIDE-ON

Caution:

This device complies with Part 15 of the FCC Rules. Operation is subject to the following two conditions:

① This device may not cause harmful interference.

② This device must accept any interference received, including interference that may cause undesired operation.

Changes or modifications not expressly approved by the party responsible for compliance could void the user's authority to operate the equipment. This equipment has been tested and found to comply with the limits for a Class B digital device, pursuant to part 15 of the FCC Rules. These limits are designed to provide reasonable protection against harmful interference in a residential installation. This equipment generates uses and can radiate radio frequency energy and, if not installed and used in accordance with the instructions, may cause harmful interference to radio communications. However, there is no guarantee that interference will not occur in a particular installation. If this equipment does cause harmful interference to radio or television reception, which can be determined by turning the equipment off and on, the user is encouraged to try to correct the interference by one or more of the following.

measures:

—Reorient or relocate the receiving antenna.

—Increase the separation between the equipment and receiver.

—Connect the equipment into an outlet on a circuit different from that to which the receiver is connected.

—Consult the dealer or an experienced radio / TV technician for help.